

MAVIC Ksyrium UST

1
2020
FRONT

ASTM CATEGORY 1 : road only

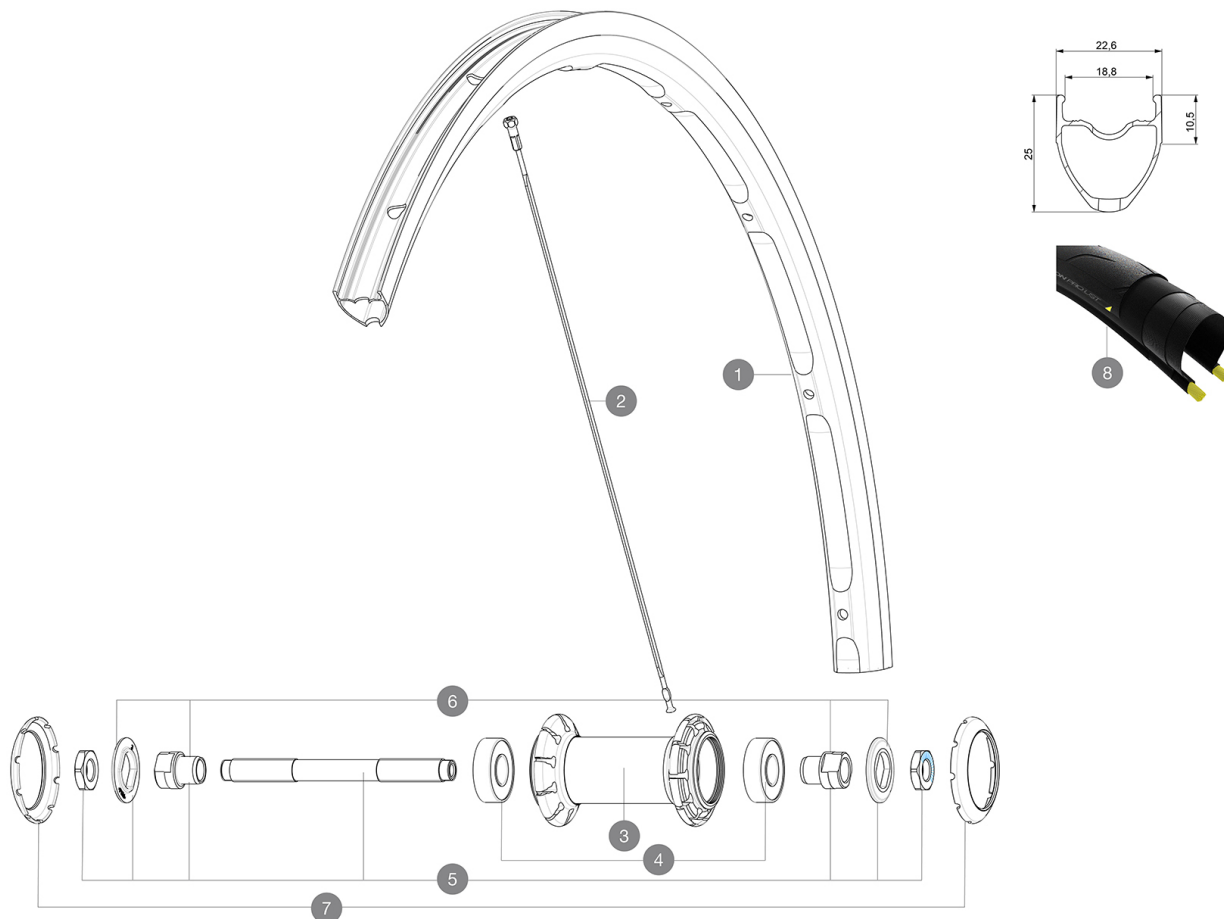
For a longer longevity of the wheel, Mavic recommends that the total weight supported by the wheels don't exceed 120kg, bike included

Recommended tyre sizes: 25 to 32 mm

Max. Pressure: see indication on wheel and tyre. If they differ, use the lower of the 2

REFERENCES WHEELS

F88271 Ksyrium UST 20 Ft



RIMS



&NBSP;:

| | | |
|---|----------------------|---|
| 1 | V4080310 V3720101 | KIT FRONT RIM KSYRIUM UST 19/20 25mm UST Tape for 19 to 22mm Road Rims |
|---|----------------------|---|

SPOKES

| | | |
|---|----------|---|
| 2 | V3664701 | KIT 10 FRT/NDS AKSIUM ELITE UST FLAT SPOKE 282mm + nipple |
|---|----------|---|


HUB SHELLS

| | | |
|---|----------|--|
| 3 | N/A | HUB BODY |
| 4 | M40318 | KIT 2 HUB BEARINGS 6001 |
| 5 | 99603801 | SHORT EXPENSIBLE BEARING SUPPORTS > 2008 |
| 6 | 99603701 | FRONT AXLE QRM ROAD 2008 |
| 7 | V2375101 | KIT 3 HUB CAPS AERO 9 SLOTS BLACK |

MAVIC Ksyrium UST

2020
FRONT

DELIVERED WITH

| | |
|---|---|
| Mavic tyre sealant (rear wheel) (355 466 01) | |
| Tyre sealant syringe | |
| BR101 quick releases (M40350 frt, M40351 rear road, M40352 rear MTB) | |
| UST valve and accessories (129 838 01) |  |
| Tubeless rim tape | |
| User guide | |

COMPATIBILITY

| | |
|--|--|
| Freewheel: Shimano/Sram, convertible to Campagnolo with optional driver body | |
| Front axle: Quick Release only | |
| Rear axle: Quick Release only | |

Specifications

RIMS

- **Material** : Mxxtal
 - **Height** : 25mm
 - **Joint** : SUP
 - **Drilling** : traditional
 - **Brake track** : UB Control
 - **Weight reduction** : ISM
 - **Valve hole diameter** : 6.5 mm
 - **Tyre** : UST Tubeless and tubetype
 - **Internal width** : 19 mm
 - **ETRTO size** : 622x19TC Road
- Use with Mavic Tubeless Tape

SPOKES

- **Material** : steel
- **Shape** : straight pull, flat, double butted
- **Nipples** : steel, ABS
- **Count** : front 18, rear 20
- **Lacing** : radial front and rear non-drive side, crossed 2 rear drive side

WHEEL HUB

- **Front and rear bodies** : aluminum
 - **Axle material** : steel
- Sealed cartridge bearings (QRM)
- **Freewheel** : FTS-L steel

VERSIONS

- **Color** : Black only

WHEEL WEIGHTS

755