

# MAVIC Ksyrium UST

1  
2020  
FRONT

ASTM CATEGORY 1 : road only

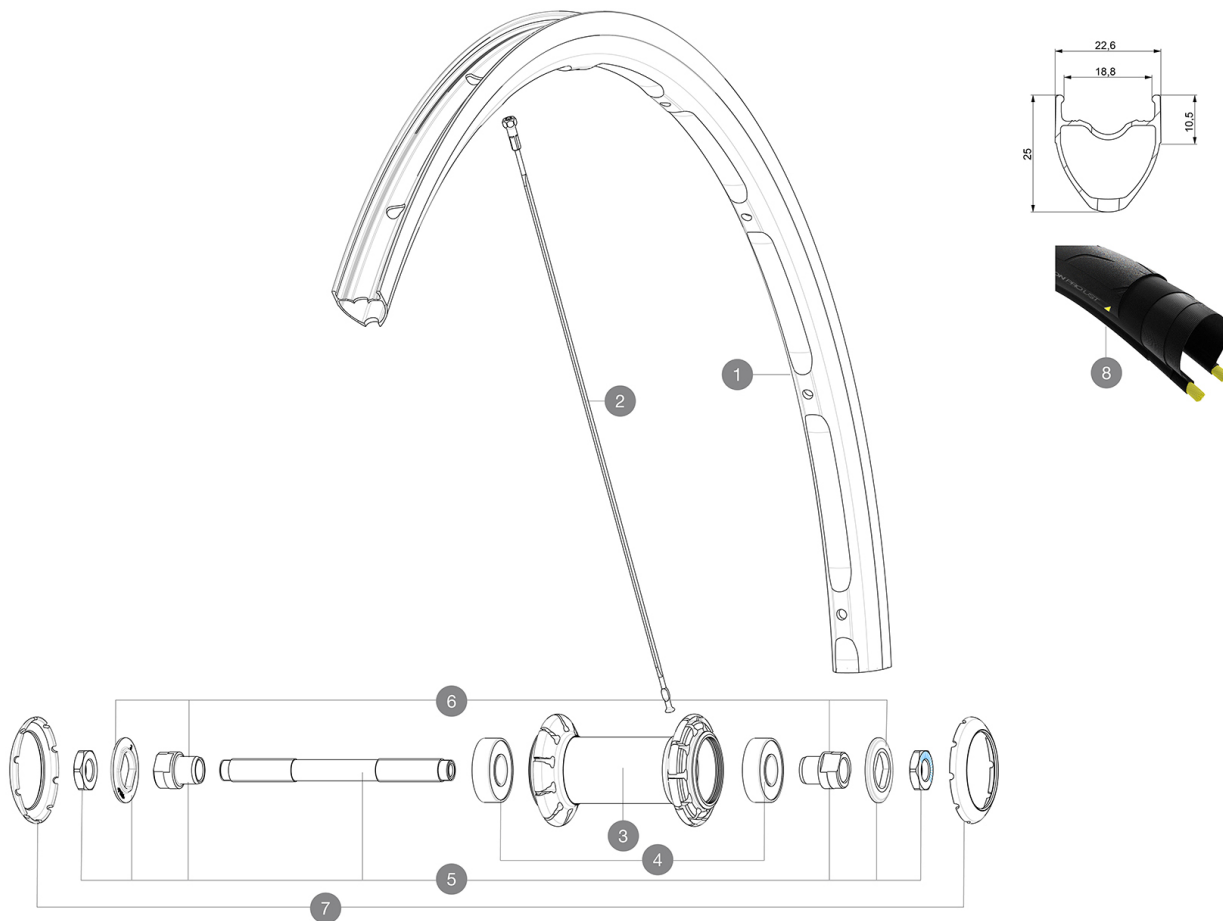
For a longer longevity of the wheel, Mavic recommends that the total weight supported by the wheels don't exceed 120kg, bike included

Recommended tyre sizes: 25 to 32 mm

Max. Pressure: see indication on wheel and tyre. If they differ, use the lower of the 2

## REFERENCES WHEELS

F88271 Ksyrium UST 20 Ft



## RIMS



&NBSP;:

|   |                      |   |
|---|----------------------|---|
| 1 | V4080310<br>V3720101 | KIT FRONT RIM KSYRIUM UST 19/20<br>25mm UST Tape for 19 to 22mm Road Rims |
|---|----------------------|---|

## SPOKES

|   |          |   |
|---|----------|---|
| 2 | V3664701 | KIT 10 FRT/NDS AKSIUM ELITE UST FLAT SPOKE 282mm + nipple |
|---|----------|---|

## HUB SHELLS

|   |          |  |
|---|----------|--|
| 3 | N/A      | HUB BODY                                 |
| 4 | M40318   | KIT 2 HUB BEARINGS 6001                  |
| 5 | 99603801 | SHORT EXPENSIBLE BEARING SUPPORTS > 2008 |
| 6 | 99603701 | FRONT AXLE QRM ROAD 2008                 |
| 7 | V2375101 | KIT 3 HUB CAPS AERO 9 SLOTS BLACK        |

# MAVIC Ksyrium UST

2020  
FRONT

## DELIVERED WITH

|   |   |
|---|---|
| Mavic tyre sealant (rear wheel)<br>(355 466 01)                         |   |
| Tyre sealant syringe  |   |
| BR101 quick releases<br>(M40350 frt, M40351 rear road, M40352 rear MTB) |   |
| UST valve and accessories<br>(129 838 01)                               |  |
| Tubeless rim tape   |   |
| User guide  |   |

## COMPATIBILITY

|  |  |
|--|--|
| Freewheel: Shimano/Sram, convertible to Campagnolo with optional driver body |  |
| Front axle: Quick Release only   |  |
| Rear axle: Quick Release only  |  |

## Specifications

### RIMS

- **Material** : Mxxtal
  - **Height** : 25mm
  - **Joint** : SUP
  - **Drilling** : traditional
  - **Brake track** : UB Control
  - **Weight reduction** : ISM
  - **Valve hole diameter** : 6.5 mm
  - **Tyre** : UST Tubeless and tubetype
  - **Internal width** : 19 mm
  - **ETRTO size** : 622x19TC Road
- Use with Mavic Tubeless Tape

### SPOKES

- **Material** : steel
- **Shape** : straight pull, flat, double butted
- **Nipples** : steel, ABS
- **Count** : front 18, rear 20
- **Lacing** : radial front and rear non-drive side, crossed 2 rear drive side

### WHEEL HUB

- **Front and rear bodies** : aluminum
  - **Axle material** : steel
- Sealed cartridge bearings (QRM)
- **Freewheel** : FTS-L steel

### VERSIONS

- **Color** : Black only

### WHEEL WEIGHTS

755