

# MAVIC Ksyrium UST Disc

ASTM CATEGORY 2 : road and offroad with jumps less than 15cm

For a longer longevity of the wheel, Mavic recommends that the total weight supported by the wheels don't exceed 120kg, bike included

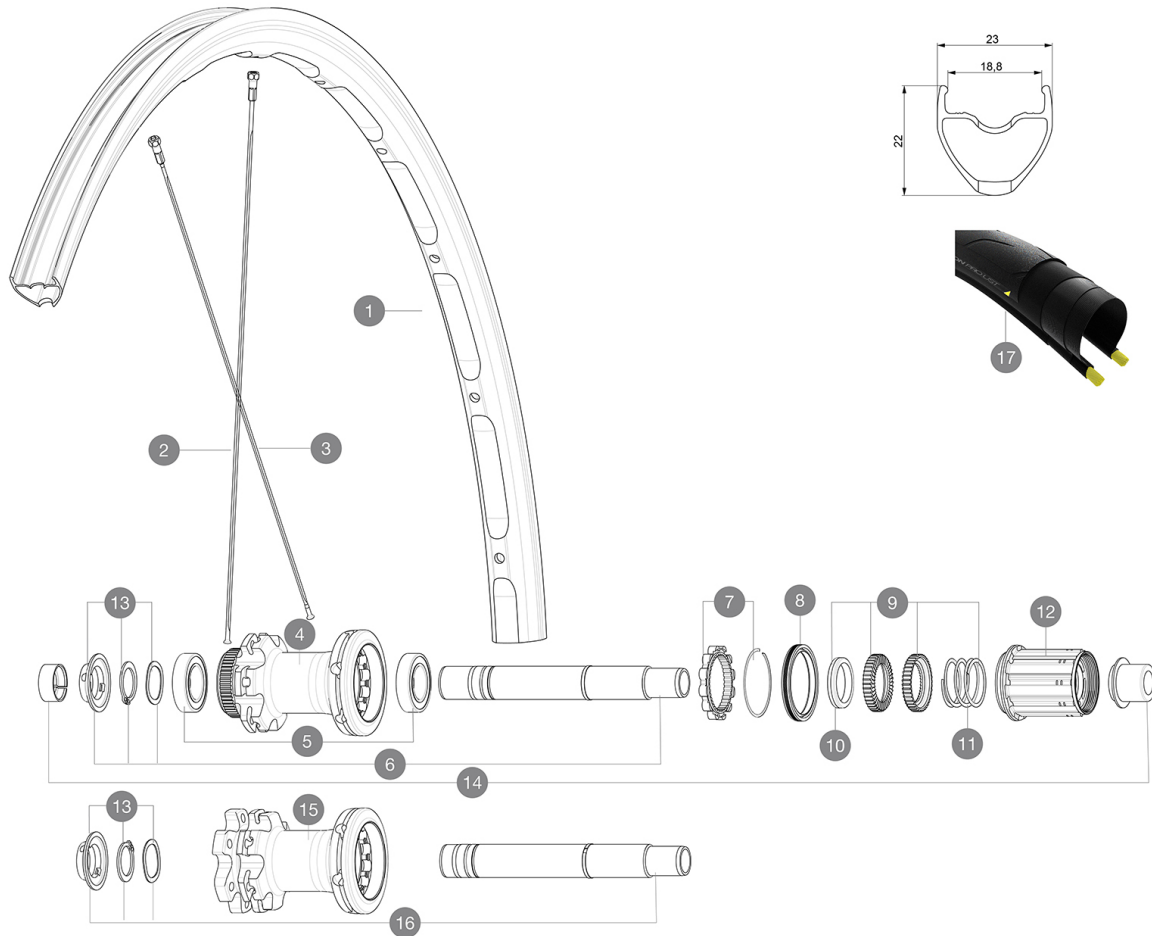
Recommended tyre sizes: 25 to 32 mm

Max. Pressure: see indication on wheel and tyre. If they differ, use the lower of the 2

## REFERENCES WHEELS

R34091 Ksyrium UST DCL 20 Rr

R34081 Ksyrium UST D6B 20 Rr



## RIMS



&NBSP;:

1	V4080215 V2620101	KIT FRONT/REAR RIM KSYRIUM UST DISC 19/20 UST RIM TAPE 25mm (for 21-24mm wide rim)
---	----------------------	---

## SPOKES

2	V3664501	KIT 12 FRT/NDS AKSIUM ELITE UST Disc/KSYRIUM UST Disc FLAT S
3	36689601	"KIT 12 DS CROSSROC/XRIDE UST/XMAX ELITE/XA ELITE 29"" SPK 2

## HUB SHELLS


4	N/A	HUB BODY
5	M40076	HUB BEARINGS 17x30x7 6903 x 2
6	V2373401	KIT ID360 135/142 DCL L1 AXLE WITH CLIP
7	V2252701	KIT ID360 INSERT SHAPED EAR LOBE > 2017
8	V2251601	KIT ID360 SEAL + GREASE
9	V2251701	KIT ID360 2 RATCHETS + SPRING + GREASE
10	V2500501	KIT ID360 3 PADS NOISE REDUCING
11	V2251801	KIT 3 ID360 ROAD SPRINGS
12	V3430101	HG11 Freewheel Body ID360
12	V4000101	HG11 STEEL ROAD FREE HUB BODY ID360 - while stock last
13	V2373001	KIT ADJUST. SYSTEM QRM AUTO ID360 for 17x30x7 bearing
15	N/A	HUB BODY
16	V2372101	KIT ID360 135/142 D6T AXLE WITH CLIP

## ADAPTERS

14	V2510701	ID360V2RrAxleAdapt12x142/148
	V2510801	ID360 V2 RrAxleAdapt9x135
	V2510901	ID360 EVO RrAxleAdpt12x135/150

# MAVIC Ksyrium UST Disc

## DELIVERED WITH

Mavic tyre sealant (rear wheel) (355 466 01)	
Tyre sealant syringe	
Front QR adapters (996 941 01 for MTB or B41 043 01 for road)	
Rear QR adapters for Instant Drive 360 (B49 894 01)	
UST valve and accessories (129 838 01)	
Tubeless rim tape	
User guide	

## COMPATIBILITY

Freewheel: Shimano/Sram, convertible to Campagnolo and XD-R with optional driver bodies	
Front axle: 12x100 thru axle, easily convertible to quick release with included adapters. Not compatible with 15mm through axles.	
Rear axle: 12mm thru axle, convertible to Quick Release with included adapters	

## Specifications

### RIMS

- **Material** : Mactal
  - **Height** : 22 mm
  - **Joint** : SUP
  - **Drilling** : traditional
- Disc brake specific profile
- **Weight reduction** : ISM
  - **Valve hole diameter** : 6.5 mm
  - **Tyre** : UST Tubeless and tubetype
  - **Internal width** : 19 mm
  - **ETRTO size** : 622x19TC Road
- Use with Mavic Tubeless Tape

### SPOKES

- **Material** : steel
- **Shape** : straight pull, flat, double butted
- **Nipples** : steel, ABS
- **Count** : 24 front and rear
- **Lacing** : front and rear crossed 2

### WHEEL HUB

- **Front and rear bodies** : aluminum
  - **Axle material** : aluminum
- Auto adjust sealed cartridge bearings (QR Auto), front and rear
- **Freewheel** : Instant Drive 360 steel
  - **Front** : Quick release and 12x100 through axle compatible
  - **Rear** : Quick Release, 12x142 and 12x135 compatible

### VERSIONS

- **Color** : Black only
- **Disc standard** : 6 Bolts or Center Lock(R)
- **Disc standard** : Center Lock(R) only

### WHEEL WEIGHTS

915