

# MAVIC Comete Pro Carbon SL Disc TDF

ASTM CATEGORY 1 : road only

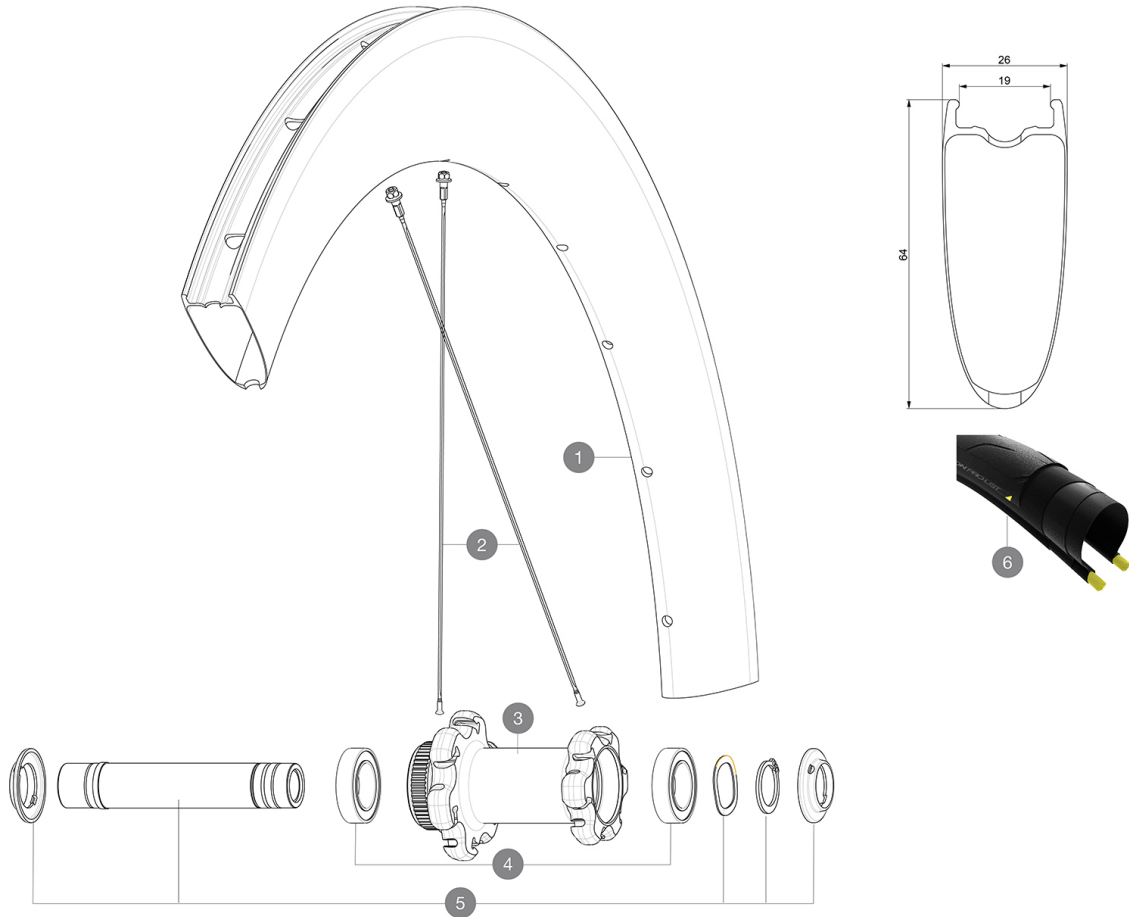
For a longer longevity of the wheel, Mavic recommends that the total weight supported by the wheels don't exceed 120kg, bike included

Recommended tyre sizes: 25 to 32 mm

Max. Pressure: see indication on wheel and tyre. If they differ, use the lower of the 2

## REFERENCES WHEELS

F89061 ComProCarbSLUSTDCL TDF2 Ft



## RIMS



&NBSP;:

|   |                      |  |
|---|----------------------|--|
| 1 | V4091410<br>V2620101 | KIT FRONT RIM COMETE PRO CARBON SL US DISC TdF 20 / FRT & RE<br>UST RIM TAPE 25mm (for 21-24mm wide rim) |
|---|----------------------|--|

## SPOKES

|   |          |   |
|---|----------|---|
| 2 | V3667101 | KIT 12 FRT/NDS BUTTED AERO STAINLESS SPOKE 254 + alu nipple |
|---|----------|---|

## HUB SHELLS

|   |          |  |
|---|----------|--|
| 3 | N/A      | HUB BODY   |
| 4 | V2500901 | KIT BEARINGS 18x30x7 + WAVED WASHER + CLIP                 |
| 5 | V2374001 | KIT 12x100mm FRONT AXLE DCL QRM AUTO ALLROAD > 2019        |
| 5 | V2374101 | KIT QRM AUTO FRONT L3 AXLE 100x12mm DCL - while stock last |


## OPTIONS

V2373501 QRM Auto front axle 15mm for DCL Allroad wheels > 2019

## ADAPTERS

V2680301 "Kit Ft Road Adapter 12 >> 9mm"

**DELIVERED WITH**

|  |   |
|--|---|
| Mavic tyre sealant (rear wheel)<br>(355 466 01)                  |   |
| Tyre sealant syringe   |   |
| Front QR adapters<br>(996 941 01 for MTB or B41 043 01 for road) |   |
| Rear QR adapters for Instant Drive 360<br>(B49 894 01)           |   |
| UST valve and accessories<br>(129 838 01)                        |  |
| Tubeless rim tape  |   |
| User guide   |   |

**COMPATIBILITY**

|  |  |
|--|--|
| Freewheel: Shimano/Sram, convertible to Campagnolo and XD-R with optional driver bodies  |  |
| Front axle: 12mm thru axle, easily convertible to quick release with included adapters. Convertible to 15mm with complete axle replacement |  |
| Rear axle: 12mm thru axle, convertible to Quick Release with included adapters   |  |

**Specifications****RIMS**

- **Material** : 3K carbon fibers
  - **Height** : 64mm
  - **Drilling** : traditional
- Disc brake specific profile
- **Valve hole diameter** : 6.5 mm
  - **Tyre** : UST Tubeless and tubetype
  - **Internal width** : 19 mm
  - **ETRTO size** : 622x19TC Road
- Use with Mavic Tubeless Tape

**SPOKES**

- **Material** : steel
- **Shape** : straight pull, aero, double butted
- **Nipples** : aluminum, ABS
- **Count** : 24 front and rear
- **Lacing** : front crossed 2, rear Isopulse

**WHEEL HUB**

- **Front and rear bodies** : aluminum
  - **Axle material** : aluminum
- Auto adjust sealed cartridge bearings (QR Auto), front and rear
- **Freewheel** : Instant Drive 360
  - **Rear** : Quick Release, 12x142 and 12x135 compatible

**VERSIONS**

- **Color** : Black only
- **Disc standard** : Center Lock(R) only

**WHEEL WEIGHTS**

845