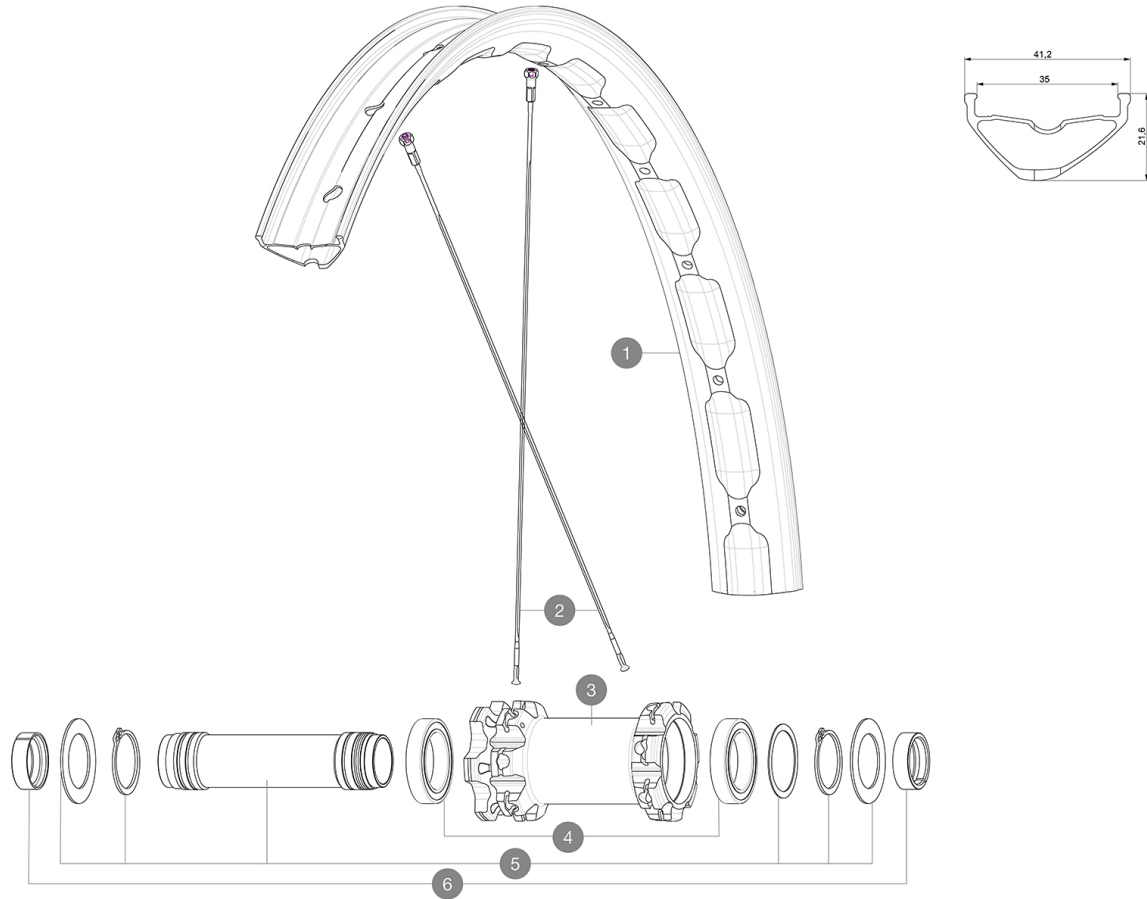


**ASTM CATEGORY 4 : ENDURO AND TRAIL RIDING**

For a longer longevity of the wheel, Mavic recommends that the total weight supported by the wheels don't exceed 150kg, bike included  
Recommended tyre sizes: 65mm to 81mm (2.5" to 3.2")

**REFERENCES WHEELS**

F87231 E-XA35 Elite 27,5 Ft Boost



**RIMS**



&NBSP;:

<b>1</b>	janteavarvttdisc V3710101	FRONT/REAR MTB DISC RIM 40mm UST Tape For 35mm Wide Rims
----------	------------------------------	---

**SPOKES**

<b>2</b>	V3820701	KIT 14 FRONT DEEMAX ELITE/E-XA ELITE 19 27,5" FLAT BUTTED S
----------	----------	---

**HUB SHELLS**

<b>3</b>	N/A	HUB BODY
<b>4</b>	M40179	FRONT HUB BEARING KIT 20mm AXLE
<b>5</b>	V2373701	KIT 20x110mm BOOST AXLE QRM AUTO MTB > 2019


**OPTIONS**

V2650401	TORQUECAP20*31 FT QRM AUTO MTB
----------	--------------------------------

**ADAPTERS**

<b>6</b>	V2680401 12982801	20x110 BOOST Front Adapter MTB wheels ADAPTER Ft 20 to 15mm
----------	----------------------	--

## DELIVERED WITH

UST valve and accessories (129 838 01)	
Specific disc bolts (308 719 01)	
Tubeless rim tape	
Replacement spokes (2 with the front wheel and 4 with the rear)	

## COMPATIBILITY

Freewheel: Shimano/Sram or XD	
Front axle: 15mm, convertible to 20mm thru axle with included adapters	
Rear axle: 12mm thru axle, convertible to Quick Release with optional adapters	
Freewheel: Shimano Micro Spline	

## Specifications

### RIMS

- **Material** : Mxxtal
  - **Joint** : SUP
  - **Drilling** : traditional
  - **Weight reduction** : ISM 4D
  - **Valve hole diameter** : 6.5 mm
  - **Tyre** : UST Tubeless and tubetype
  - **Internal width** : 35 mm
  - **ETRTO size 27.5"** : 584x35TC
- Use with Mavic Tubeless Tape

### SPOKES

- **Material** : steel
- **Shape** : straight pull, flat, double butted
- **Count** : 28 front and rear
- **Lacing** : front and rear crossed 3

### WHEEL HUB

- **Front and rear bodies** : aluminum
  - **Axle material** : aluminum
- Auto adjust sealed cartridge bearings (QRM Auto), front and rear
- **Freewheel** : Instant Drive 360 steel
  - **Freewheel** : Instant Drive 360

### VERSIONS

- **Color** : Black only
- **Disc standard** : 6 Bolts only
- **Hub width** : Boost only (front 110, rear 148)
- **Freewheel** : Shimano/Sram or XD

### WHEEL WEIGHTS

940