

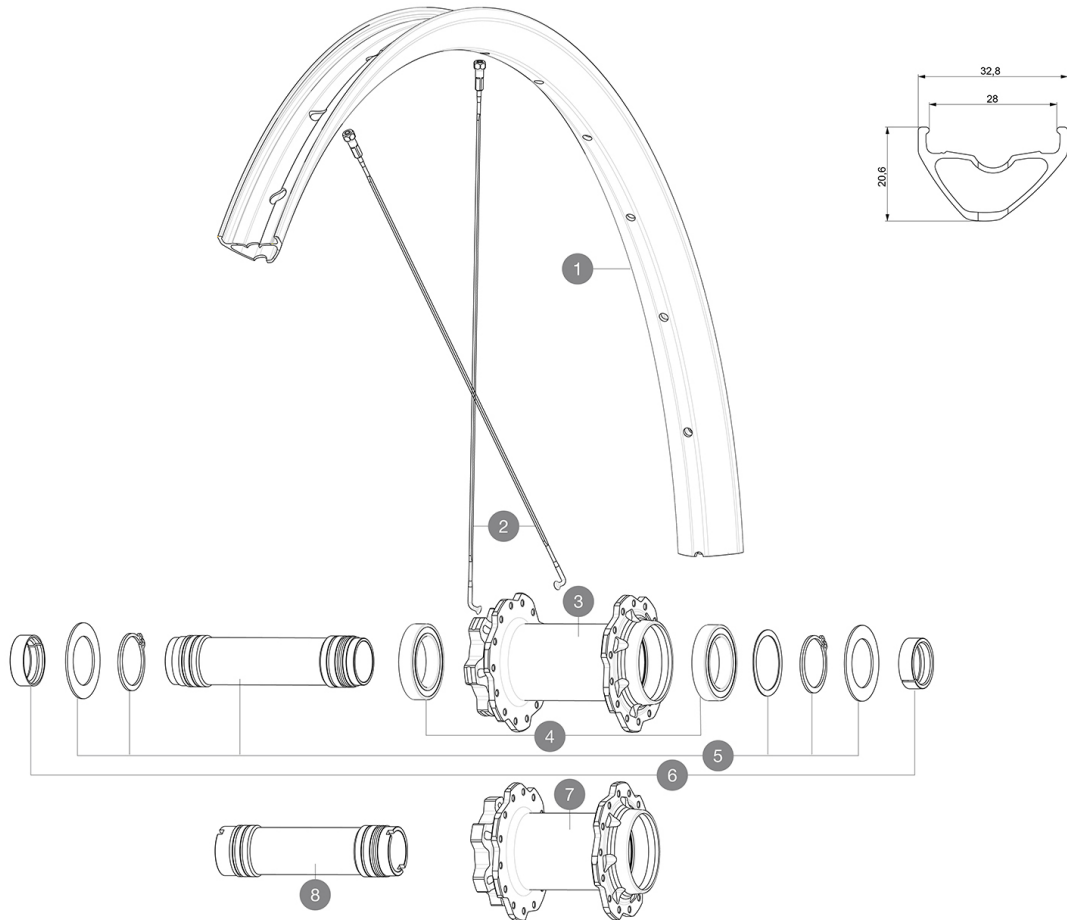
ASTM CATEGORY 5 : GRAVITY RIDING FOCUSED ON THE DESCENT

For a longer longevity of the wheel, Mavic recommends that the total weight supported by the wheels don't exceed 120kg, bike included

Recommended tyre sizes: 60mm to 76mm (2.35" to 3.0")

## REFERENCES WHEELS

F87651	Deemax DH 27,5 Ft	F87661	Deemax DH 27,5 Ft Boost
--------	-------------------	--------	-------------------------



## RIMS



&NBSP;:

1	V3764315	KIT FRONT/REAR RIM DEEMAX DH 20 27,5"
	V2640101	UST RIM TAPE 32mm for 28 to 29mm wide rims

## SPOKES

2	V2388001	KIT 14 J BENT STEEL SPOKES 280mm DEEMAX DH 20 27,5" + black
---	----------	---

## HUB SHELLS

3	N/A	HUB BODY
4	M40179	FRONT HUB BEARING KIT 20mm AXLE
5	V2373701	KIT 20x110mm BOOST AXLE QRM AUTO MTB > 2019
7	N/A	HUB BODY
8	V2373801	KIT 20x110mm AXLE QRM AUTO MTB > 2019

## OPTIONS

V2650401	TORQUECAP20*31 FT QRM AUTO MTB
----------	--------------------------------

## ADAPTERS

6	12982801	ADAPTER Ft 20 to 15mm
9	V2680401	20x110 BOOST Front Adapter MTB wheels

**DELIVERED WITH**

UST valve and accessories (129 838 01)	
Tubeless rim tape	

**COMPATIBILITY**

Freewheel: Shimano/Sram or XD	
Front axle: 15mm, convertible to 20mm thru axle with included adapters	
Rear axle: 12mm thru axle, convertible to Quick Release with optional adapters	
Freewheel: Shimano Micro Spline	

**Specifications**
**RIMS**

- **Material** : Mxstal
  - **Joint** : SUP
  - **Drilling** : traditional
  - **Valve hole diameter** : 6.5 mm
  - **Tyre** : UST Tubeless and tubetype
  - **Internal width** : 28 mm
  - **ETRTO size 27.5"** : 584x28TC
  - **ETRTO size 29"** : 622x28TC
- Use with Mavic Tubeless Tape

**SPOKES**

- **Material** : steel
- **Shape** : straight pull, flat, double butted
- **Count** : 28 front and rear
- **Lacing** : front and rear crossed 3

**WHEEL HUB**

- **Front and rear bodies** : aluminum
  - **Axle material** : aluminum
- Auto adjust sealed cartridge bearings (QRM Auto), front and rear
- **Freewheel** : Instant Drive 360

**VERSIONS**

- **Color** : Black only
  - **Disc standard** : 6 Bolts only
- Freewheel; SRAM XD, Shimano HG, Shimano Micro-Spline
- **Hub width** : Boost (front 15/20x110, rear 148) or Non-Boost (front 15/20x100, rear 135/142) or DH rear (150/157) or DH7S rear (150/157-7S)

**WHEEL WEIGHTS**