

MAVIC DEEMAX PRO SAM HILL 27,5

ASTM CATEGORY 4 : ENDURO AND TRAIL RIDING

For a longer longevity of the wheel, Mavic recommends that the total weight supported by the wheels doesn't exceed 150kg, bike included

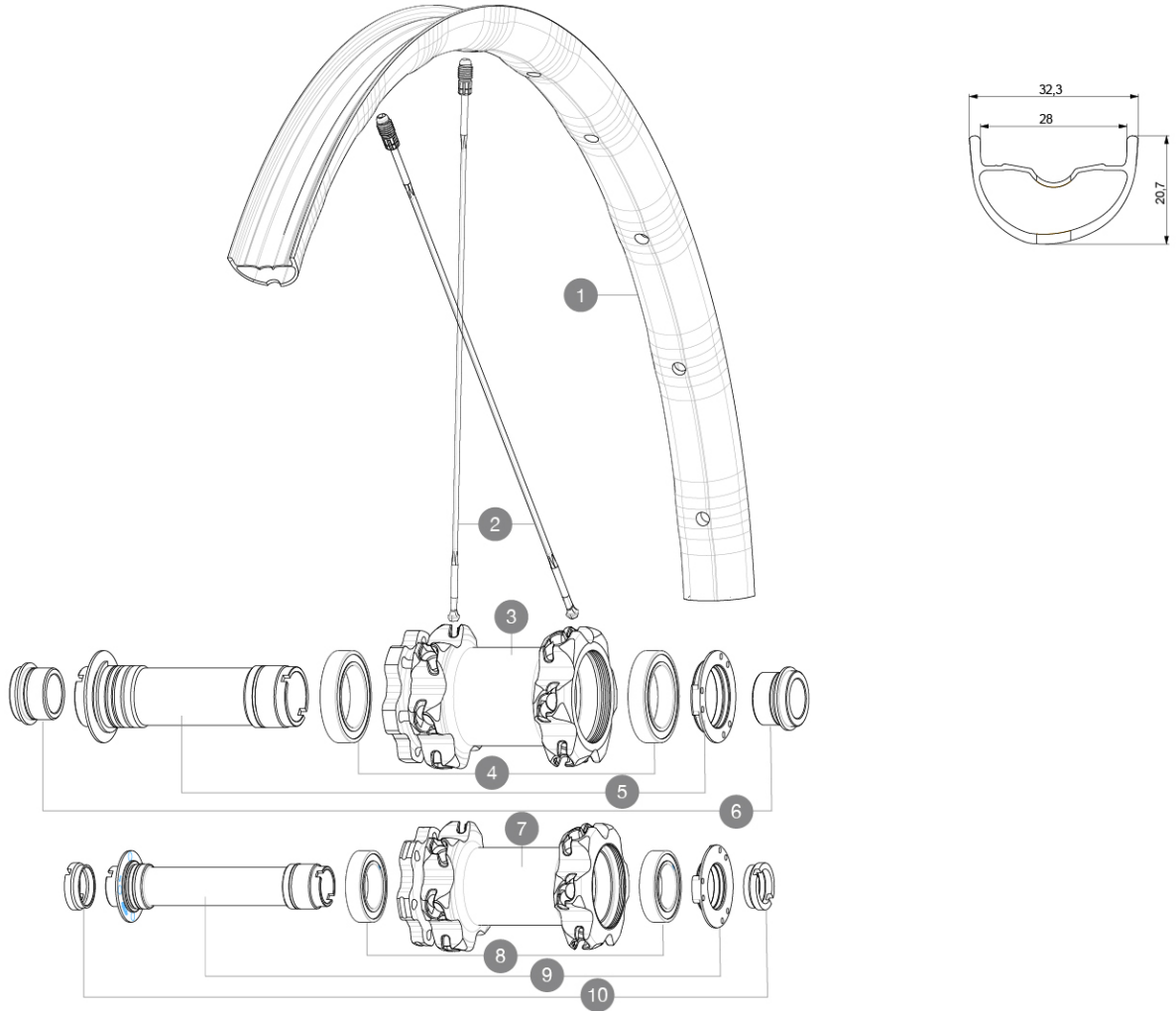
For a longer longevity of the wheel, Mavic recommends that the total weight supported by the wheels don't exceed 120kg, bike included

Recommended tyre sizes: 46mm to 64mm (1.8" to 2.5")

REFERENCES WHEELS

F89111 DEEMPRO SH INT 27,5 BST

F89731 DEEMPRO SH INT 27,5 BST20



RIMS



&NBSP::

1 V3764410 KIT FRONT RIM DEEMAX PRO SH 27,5"

SPOKES

2 36674901 KIT 12 FT XMAX END/FT-NDS DEEMAX PRO 27,5" ALU SPK 275mm

HUB SHELLS

| | | |
|----------|----------|---|
| 3 | N/A | HUB BODY |
| 4 | M40179 | FRONT BEARING 25x37x7 20mm AXLE |
| 5 | 30870501 | FRONT AXLE 20mm CROSSMAX + DEEMAX ULTI 2012 |
| 7 | N/A | HUB BODY |
| 8 | 99688501 | BEARING KIT 9/12/15 D6T HUB 20x32x7 6804 |
| 9 | V2370701 | KIT FRONT QRM+ AXLE BOOST INTL 110mm |


OPTIONS

V2650201 ADAPTER Front Torque Cap 15x31 MTB QRM +

ADAPTERS

| | | |
|-----------|----------|-------------------------------|
| 6 | 12982801 | ADAPTER Ft 20 to 15mm |
| 10 | B4104401 | ADAPTER Ft 15mm QRM+ |
| | 12982901 | ADAPTER Ft 20x110mm |
| | 12982701 | ADAPTER Ft 20 to 9mm QR incl. |
| | B4104301 | ADAPTER Ft 9mm QR QRM+ |

DELIVERED WITH

| | |
|---|---|
| UST valve and accessories (129 838 01) |  |
| UST valve and accessories (129 838 01) | |
| UST valve and accessories (129 838 01) | |
| UST valve and accessories (129 838 01) | |
| Specific disc bolts (308 719 01) | |
| Specific disc bolts (308 719 01) | |
| Specific disc bolts (308 719 01) | |
| Specific disc bolts (308 719 01) | |
| Multifunction adjustment wrench (325 423 01) | |
| Multifunction adjustment wrench (325 423 01) | |
| Multifunction adjustment wrench (325 423 01) | |
| Multifunction adjustment wrench (325 423 01) | |
| Replacement spokes (2 with the front wheel and 4 with the rear) | |
| User guide | |
| User guide | |
| User guide | |
| User guide | |
| Sram XD (on the wheel) and Shimano HG freewheel bodies | |

COMPATIBILITY

| | |
|--|--|
| Freewheel: Shimano/Sram or XD | |
| Rear axle: 12mm thru axle, convertible to Quick Release with optional adapters | |
| Rear axle: 12mm thru axle, convertible to Quick Release with optional adapters | |
| Freewheel: Shimano Micro Spline | |
| Freewheel: Shimano Micro Spline | |
| Freewheel: Shimano/Sram or XD (both delivered with the wheel) | |
| Freewheel: Shimano HG9, XD or Micro Spline | |
| Rear axle: 12x148 Boost thru axle | |
| Front axle: 15x110 Boost thru axle | |