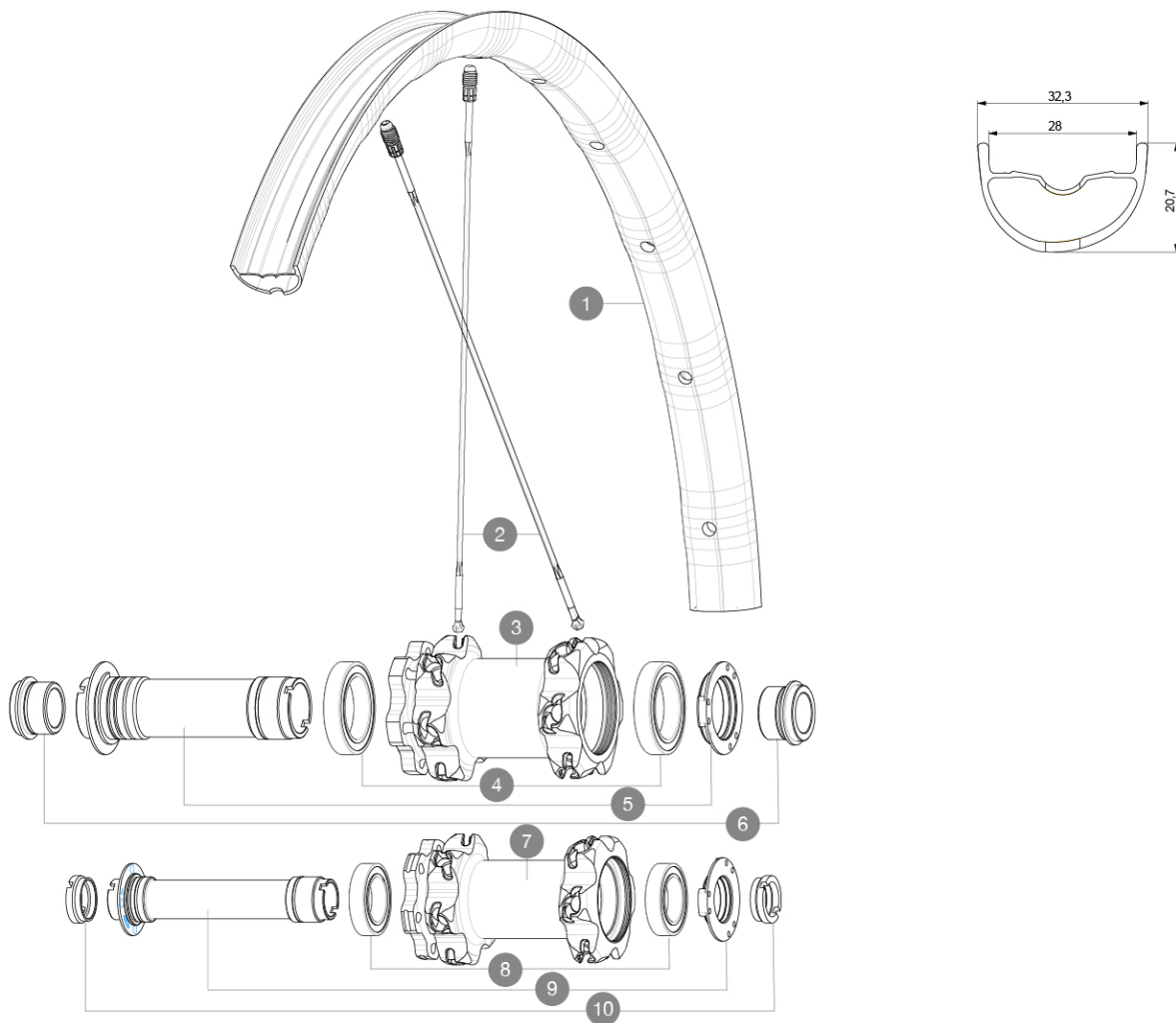


**ASTM CATEGORY 4 : ENDURO AND TRAIL RIDING**

For a longer longevity of the wheel, Mavic recommends that the total weight supported by the wheels don't exceed 120kg, bike included  
 For a longer longevity of the wheel, Mavic recommends that the total weight supported by the wheels doesn't exceed 150kg, bike included  
 Maximum tyre pressure: 2.55bar/37PSI with a 54mm tyre - 1.3bar/19PSI with a 125mm tyre  
 Recommended tyre sizes: 46mm to 64mm (1.8" to 2.5")

**REFERENCES WHEELS**

R35961	DEEMPRO SH INT 29 12X142 XD	F89751	DEEMPRO SH INT 29 15x100
F89101	DEEMPRO SH INT 29 BST		



**RIMS**



&NBSP;:

1	V3764610	KIT FRONT RIM DEEMAX PRO SH 29"
---	----------	---------------------------------

**SPOKES**

2	A7209901	KIT 12 FT/NDS CROSSMAX XL/DEEMAX PRO 19 29" SPK 293mm
---	----------	---

**HUB SHELLS**

3	N/A	HUB BODY
4	M40179	FRONT BEARING 25x37x7 20mm AXLE
5	30870501	FRONT AXLE 20mm CROSSMAX + DEEMAX ULTI 2012
7	N/A	HUB BODY
8	99688501	BEARING KIT 9/12/15 D6T HUB 20x32x7 6804
9	V2370701	KIT FRONT QRM+ AXLE BOOST INTL 110mm





**OPTIONS**

V2650201	ADAPTER Front Torque Cap 15x31 MTB QRM +
----------	--

**ADAPTERS**

6	12982801	ADAPTER Ft 20 to 15mm
10	B4104401	ADAPTER Ft 15mm QRM+
	12982901	ADAPTER Ft 20x110mm
	12982701	ADAPTER Ft 20 to 9mm QR incl.
	B4104301	ADAPTER Ft 9mm QR QRM+

**DELIVERED WITH**

UST valve and accessories (129 838 01)	
UST valve and accessories (129 838 01)	
UST valve and accessories (129 838 01)	
UST valve and accessories (129 838 01)	
Specific disc bolts (308 719 01)	
Specific disc bolts (308 719 01)	
Specific disc bolts (308 719 01)	
Specific disc bolts (308 719 01)	
Specific disc bolts (308 719 01)	
Multifunction adjustment wrench (325 423 01)	
Multifunction adjustment wrench (325 423 01)	
Multifunction adjustment wrench (325 423 01)	
Multifunction adjustment wrench (325 423 01)	
Multifunction adjustment wrench (325 423 01)	
Replacement spokes (2 with the front wheel and 4 with the rear)	
User guide	
User guide	
User guide	
User guide	
Sram XD (on the wheel) and Shimano HG freewheel bodies	

**COMPATIBILITY**

Freewheel: Shimano/Sram or XD	
Rear axle: 12mm thru axle, convertible to Quick Release with optional adapters	
Rear axle: 12mm thru axle, convertible to Quick Release with optional adapters	
Rear axle: 12mm thru axle, convertible to Quick Release with optional adapters	
Freewheel: Shimano Micro Spline	
Freewheel: Shimano Micro Spline	
Freewheel: Shimano/Sram or XD (both delivered with the wheel)	