

ASTM CATEGORY 1 : road only

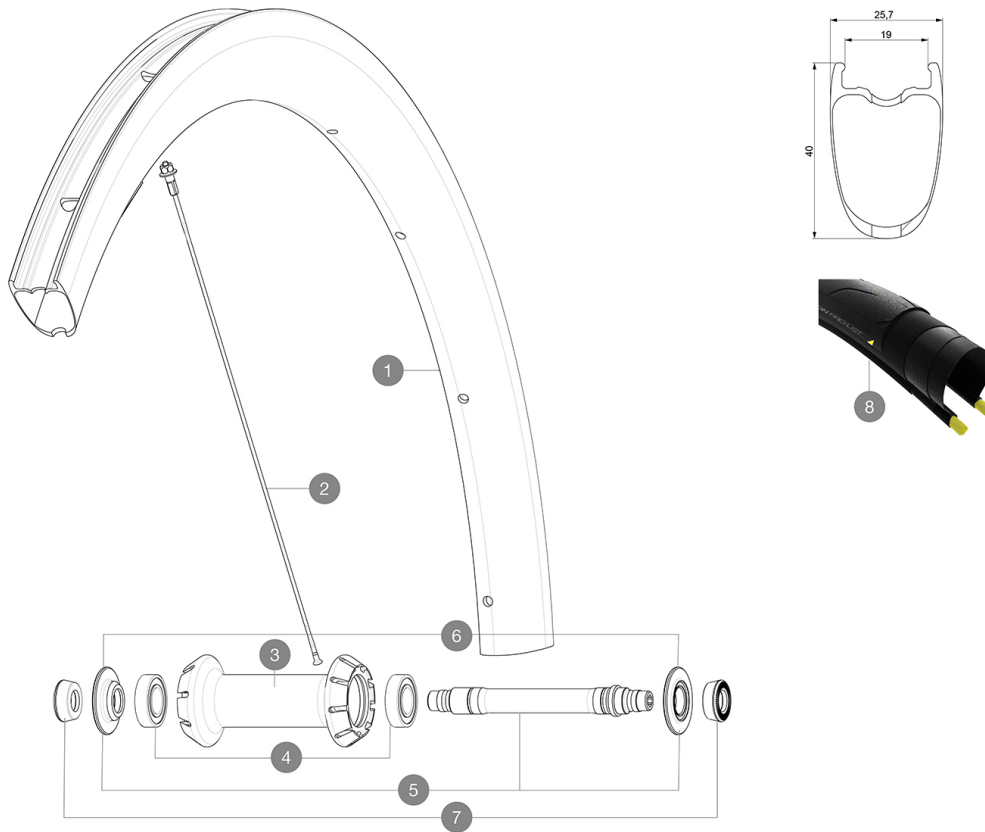
For a longer longevity of the wheel, Mavic recommends that the total weight supported by the wheels don't exceed 120kg, bike included

Recommended tyre sizes: 25 to 32 mm

Max. Pressure: see indication on wheel and tyre. If they differ, use the lower of the 2

## REFERENCES WHEELS

F89371 CosProCarbSLUST TDF2 Ft



## RIMS



&NBSP;:

1	V4090710 V3720101	KIT FRONT RIM COSMIC PRO CARBON SL UST TdF 20 while stock la 25mm UST Tape for 19 to 22mm Road Rims
---	----------------------	--

## SPOKES

2	V3662201	KIT 12 FRT COSMIC PRO CARB SL T/C/UST & NDS CPC SL BUTTED AE
---	----------	--


## HUB SHELLS

3	N/A	HUB BODY
4	M40078	FRONT HUB BEARINGS 6901 x 2
5	30870001	FRONT AXLE ROAD RIM BRAKING QRM +
6	V2252501	FRONT SETTING NUT & DUST PROTECTOR MY16

## ADAPTERS

7	35117301	FT/RR FORK REST R-SYS/CC ULTIMATE > 2013/KSY PRO CARB T
---	----------	---

**DELIVERED WITH**

Mavic tyre sealant (rear wheel) (355 466 01)	
BR601 Titanium quick releases (323 485 01 frt, 323 486 01 rear)	
Tyre sealant syringe	
Carbon brake pads (V24 603 01 Shimano/Sram, V24 604 01 Campagnolo)	
UST valve and accessories (129 838 01)	
Tubeless rim tape	
Multifonction adjustment wrench (325 423 01)	
User guide	

**COMPATIBILITY**

Freewheel: Shimano/Sram, convertible to Campagnolo and XD-R with optional driver bodies	
Front axle: Quick Release only	
Rear axle: Quick Release only	

**Specifications****RIMS**

- **Material** : 3K carbon fibers
  - **Height** : 40 mm
  - **Drilling** : traditional
  - **Brake track** : carbon with iTgMAX technology
  - **Valve hole diameter** : 6.5 mm
  - **Tyre** : UST Tubeless and tubetype
  - **Internal width** : 19 mm
  - **ETRTO size** : 622x19TC Road
- Use with Mavic Tubeless Tape

**SPOKES**

- **Material** : steel
- **Shape** : straight pull, aero, double butted
- **Nipples** : aluminum, ABS
- **Count** : front 18, rear 24
- **Lacing** : front radial, rear Isopulse

**WHEEL HUB**

- **Front and rear bodies** : aluminum
- **Axle material** : aluminum
- **Front bearings** : adjustable sealed cartridge bearings (QRM+), Rear bearings auto adjust sealed cartridge bearings (QRM Auto)
- **Freewheel** : Instant Drive 360

**VERSIONS**

- **Color** : Black only

**WHEEL WEIGHTS**

665