

**MAVIC** *Cosmic Pro Carbon SL Disc TDF*

ASTM CATEGORY 1 : road only

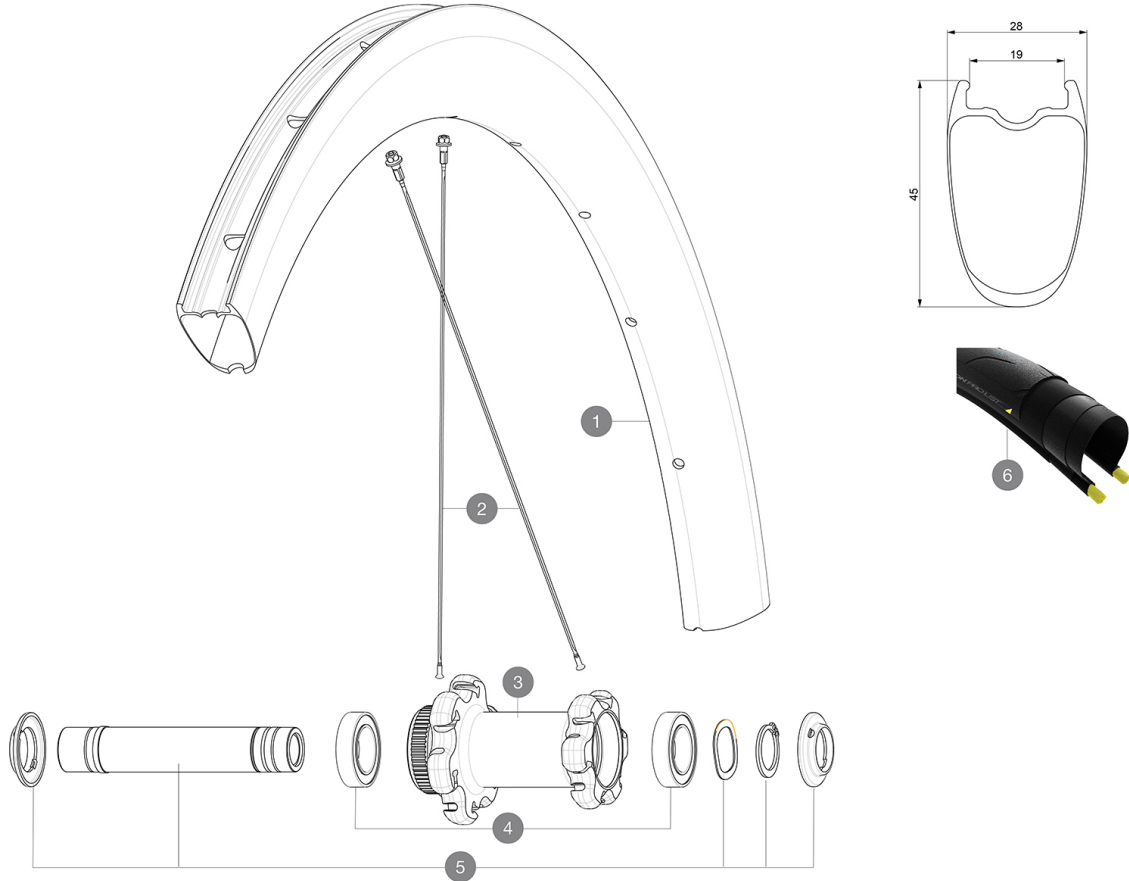
For a longer longevity of the wheel, Mavic recommends that the total weight supported by the wheels don't exceed 120kg, bike included

Recommended tyre sizes: 25 to 32 mm

Max. Pressure: see indication on wheel and tyre. If they differ, use the lower of the 2

**REFERENCES WHEELS**

F89361 CosProCarbSLUSTDCL TDF2 Ft

**RIMS**

&amp;NBSP;:

|          |                      |  |
|----------|----------------------|--|
| <b>1</b> | V4090910<br>V2620101 | KIT FRONT RIM COSMIC PRO CARBON SL UST DISC TdF 20<br>UST RIM TAPE 25mm (for 21-24mm wide rim) |
|----------|----------------------|--|

**SPOKES**

|          |          |  |
|----------|----------|--|
| <b>2</b> | V3663501 | KIT 12 BUTTED AERO STAINLESS SPOKE 277 + alu nipple + washer |
|----------|----------|--|


**HUB SHELLS**

|          |          |                                     |
|----------|----------|-------------------------------------|
| <b>3</b> | N/A      | HUB BODY                            |
| <b>4</b> | M40129   | KIT 2 BEARINGS 6902 15x28x7         |
| <b>5</b> | V2373301 | KIT QRM AUTO FRONT AXLE 12mm > 2019 |

**ADAPTERS**

|  |          |                                 |
|--|----------|---------------------------------|
|  | V2680301 | "Kit Ft Road Adapter 12 >> 9mm" |
|--|----------|---------------------------------|

**DELIVERED WITH**

|  |   |
|--|---|
| Mavic tyre sealant (rear wheel)<br>(355 466 01)                  |   |
| Tyre sealant syringe   |   |
| Front QR adapters<br>(996 941 01 for MTB or B41 043 01 for road) |   |
| Rear QR adapters for Instant Drive 360<br>(B49 894 01)           |   |
| UST valve and accessories<br>(129 838 01)                        |  |
| Tubeless rim tape  |   |
| User guide   |   |

**COMPATIBILITY**

|   |  |
|---|--|
| Freewheel: Shimano/Sram, convertible to Campagnolo and XD-R with optional driver bodies   |  |
| Front axle: 12x100 thru axle, easily convertible to quick release with included adapters. Not compatible with 15mm through axles. |  |
| Rear axle: 12mm thru axle, convertible to Quick Release with included adapters  |  |

**Specifications****RIMS**

- **Material** : 3K carbon fibers
  - **Height** : 45 mm
  - **Drilling** : traditional
- Disc brake specific profile
- **Valve hole diameter** : 6.5 mm
  - **Tyre** : UST Tubeless and tubetype
  - **Internal width** : 19 mm
  - **ETRTO size** : 622x19TC Road
- Use with Mavic Tubeless Tape

**SPOKES**

- **Material** : steel
- **Shape** : straight pull, aero, double butted
- **Nipples** : aluminum, ABS
- **Count** : 20 front and 24 rear
- **Lacing** : front crossed 2, rear Isopulse

**WHEEL HUB**

- **Front and rear bodies** : aluminum
  - **Axle material** : aluminum
- Auto adjust sealed cartridge bearings (QR Auto), front and rear
- **Freewheel** : Instant Drive 360
  - **Front** : Quick release and 12x100 through axle compatible
  - **Rear** : Quick Release, 12x142 and 12x135 compatible

**VERSIONS**

- **Color** : Black only
- **Disc standard** : Center Lock(R) only

**WHEEL WEIGHTS**

685