

# MAVIC Ksyrium Pro Carbon Disc TDF

ASTM CATEGORY 1 : road only

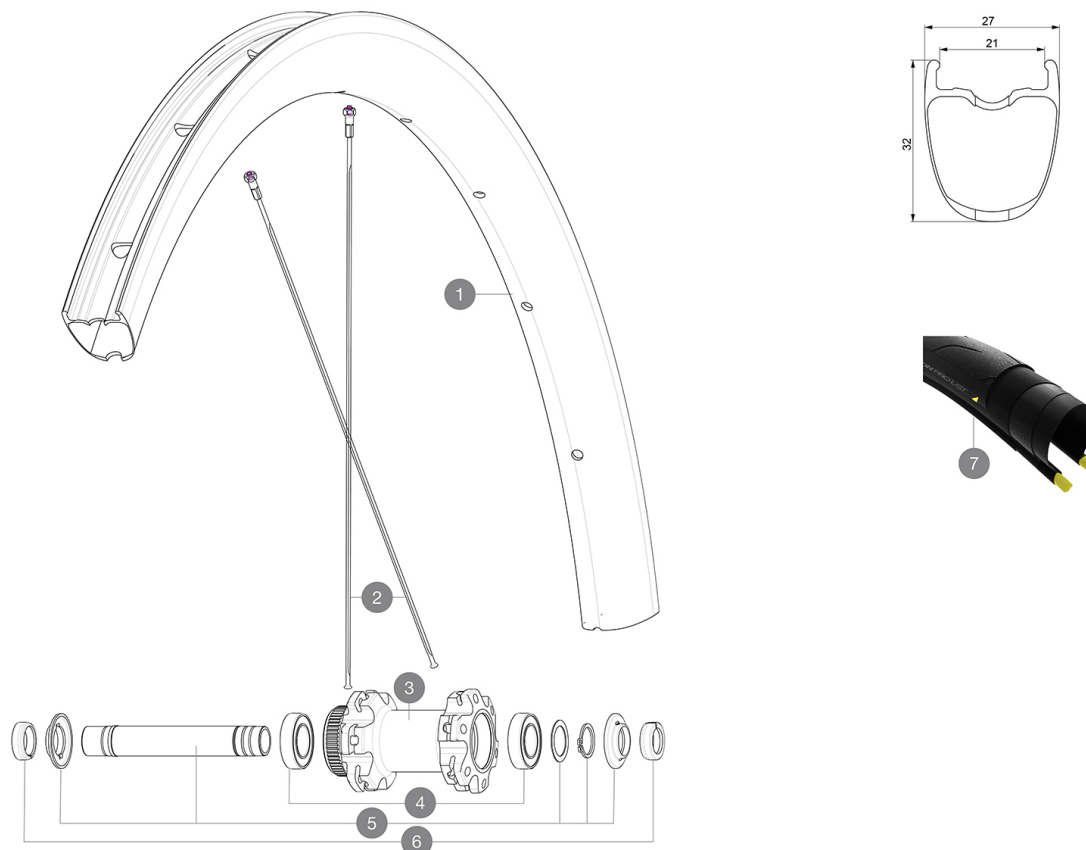
For a longer longevity of the wheel, Mavic recommends that the total weight supported by the wheels don't exceed 120kg, bike included

Recommended tyre sizes: 25 to 32 mm

Max. Pressure: see indication on wheel and tyre. If they differ, use the lower of the 2

## REFERENCES WHEELS

F89381 KsyProCarb UST DCL TDF2 Ft



## RIMS



&NBSP;:

1	V4090410 V2620101	KIT FRONT RIM KSYRIUM PRO CARBON UST DISC TdF 20 / KSYRIUM P UST RIM TAPE 25mm (for 21-24mm wide rim)
---	----------------------	--

## SPOKES

2	V3665601	KIT 12 FRt/NDs KSYRIUM PRO CARBON UST Disc SPOKE 286mm + was
2	V4160401	Kit 12 Front/Rear non Drive Side Stainless Spokes 286 Ksyriu

## HUB SHELLS

3	N/A	HUB BODY
4	M40129	KIT 2 BEARINGS 6902 15x28x7
5	V2373301	KIT QRM AUTO FRONT AXLE 12mm > 2019


## ADAPTERS

6	V2680501 V2680301	12mm Road Axle Cap QRM Auto "Kit Ft Road Adapter 12 >> 9mm"
---	----------------------	--

# MAVIC Ksyrium Pro Carbon Disc TDF

2020  
FRONT

## DELIVERED WITH

Mavic tyre sealant (rear wheel) (355 466 01)	
Tyre sealant syringe	
Front QR adapters (996 941 01 for MTB or B41 043 01 for road)	
Rear QR adapters for Instant Drive 360 (B49 894 01)	
UST valve and accessories (129 838 01)	
Tubeless rim tape	
User guide	

## COMPATIBILITY

Freewheel: Shimano/Sram, convertible to Campagnolo and XD-R with optional driver bodies	
Front axle: 12x100 thru axle, easily convertible to quick release with included adapters. Not compatible with 15mm through axles.	
Rear axle: 12mm thru axle, convertible to Quick Release with included adapters	

## Specifications

### RIMS

- **Material** : 3K carbon fibers
  - **Height** : 32mm
  - **Drilling** : traditional
- Disc brake specific profile
- **Valve hole diameter** : 6.5 mm
  - **Tyre** : UST Tubeless and tubetype
  - **Internal width** : 21 mm
  - **ETRTO size** : 622x21TC ROAD
- Use with Mavic Tubeless Tape

### SPOKES

- **Material** : steel
- **Shape** : straight pull, flat, double butted
- **Nipples** : steel, ABS
- **Count** : 24 front and rear
- **Lacing** : front and rear crossed 2

### WHEEL HUB

- **Front and rear bodies** : aluminum
  - **Axle material** : aluminum
- Auto adjust sealed cartridge bearings (QR Auto), front and rear
- **Freewheel** : Instant Drive 360
  - **Front** : Quick release and 12x100 through axle compatible
  - **Rear** : Quick Release, 12x142 and 12x135 compatible

### VERSIONS

- **Color** : Black only
- **Disc standard** : Center Lock(R) only

### WHEEL WEIGHTS

750