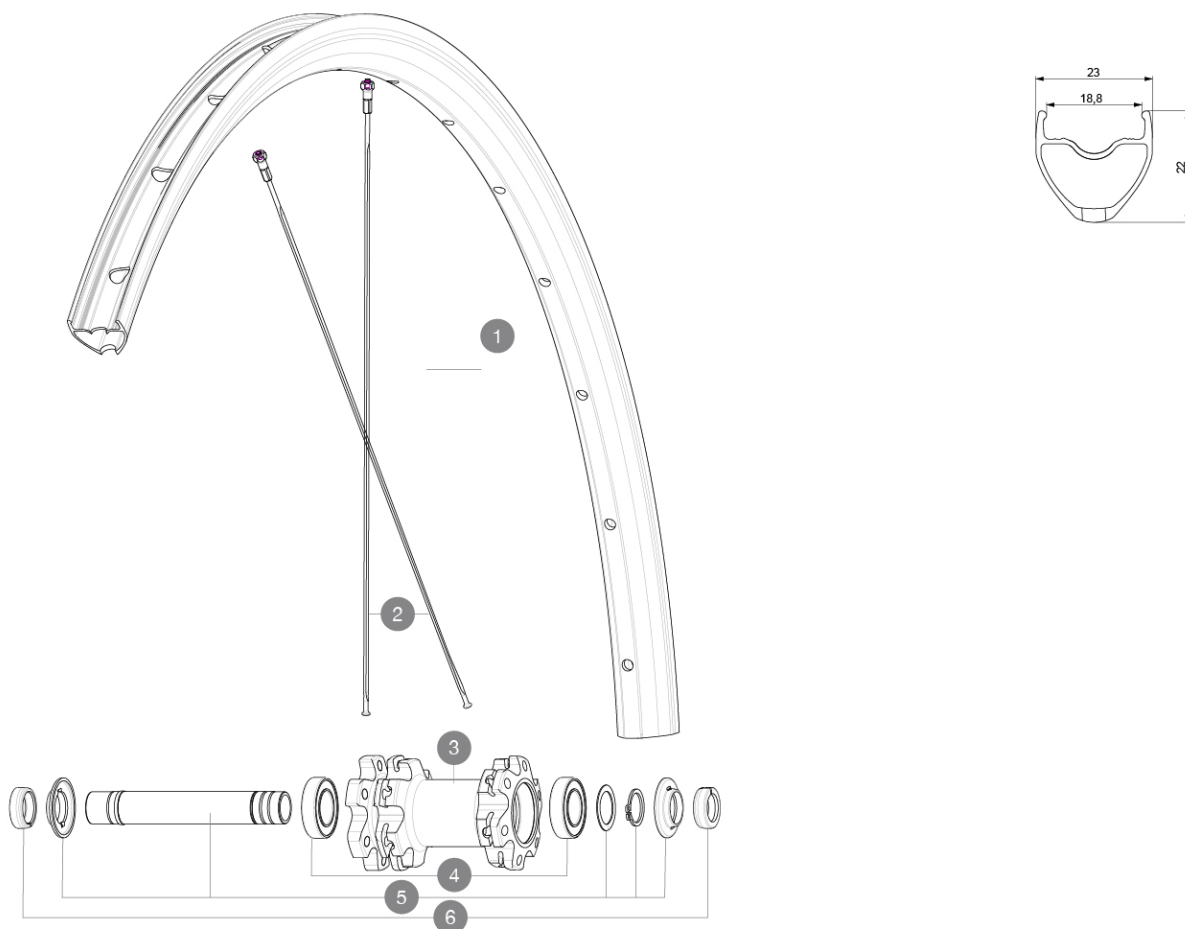


## REFERENZEN RÄDER

F91901 AksEI EvoUST DCL EBM MPH Ft



### RIMS



&NBSP;:

- |   |                      |  |
|---|----------------------|--|
| 1 | V4080115<br>V2620101 | KIT FRONT/REAR RIM AKSIUM ELITE UST DISC 19/20<br>UST RIM TAPE 25mm (for 21-24mm wide rim) |
|---|----------------------|--|

### SPOKES

- |   |          |  |
|---|----------|--|
| 2 | V3664501 | KIT 12 FRT/NDS AKSIUM ELITE UST Disc/KSYRIUM UST Disc FLAT S |
|---|----------|--|

### HUB SHELLS

- |   |          |                                     |
|---|----------|-------------------------------------|
| 4 | M40129   | KIT 2 BEARINGS 6902 15x28x7         |
| 5 | V2373301 | KIT QRM AUTO FRONT AXLE 12mm > 2019 |

### ADAPTERS

- |   |          |                             |
|---|----------|-----------------------------|
| 6 | V2680501 | 12mm Road Axle Cap QRM Auto |
|---|----------|-----------------------------|

# **MAVIC** *AksiumElite Evo UST Disc EBM*

## **Specifications**

RADGEWICHTE