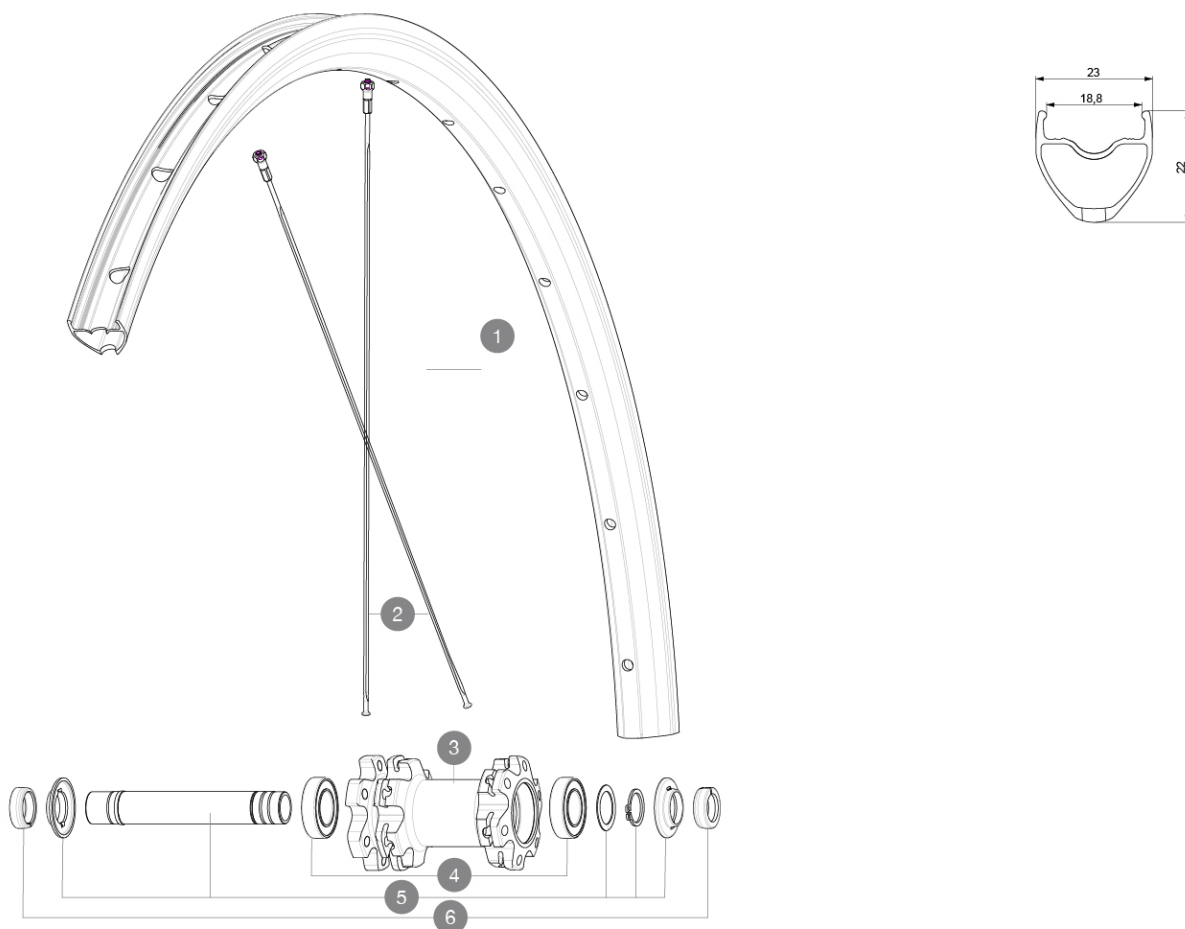


REFERENZEN RÄDER

F91901 AksEI EvoUST DCL EBM MPH Ft



RIMS



&NBSP;:

- | | | |
|---|----------------------|--|
| 1 | V4080115
V2620101 | KIT FRONT/REAR RIM AKSIUM ELITE UST DISC 19/20
UST RIM TAPE 25mm (for 21-24mm wide rim) |
|---|----------------------|--|

SPOKES

- | | | |
|---|----------|--|
| 2 | V3664501 | KIT 12 FRT/NDS AKSIUM ELITE UST Disc/KSYRIUM UST Disc FLAT S |
|---|----------|--|

HUB SHELLS

- | | | |
|---|----------|-------------------------------------|
| 4 | M40129 | KIT 2 BEARINGS 6902 15x28x7 |
| 5 | V2373301 | KIT QRM AUTO FRONT AXLE 12mm > 2019 |

ADAPTERS

- | | | |
|---|----------|-----------------------------|
| 6 | V2680501 | 12mm Road Axle Cap QRM Auto |
|---|----------|-----------------------------|

MAVIC *AksiumElite Evo UST Disc EBM*

Specifications

RADGEWICHTE