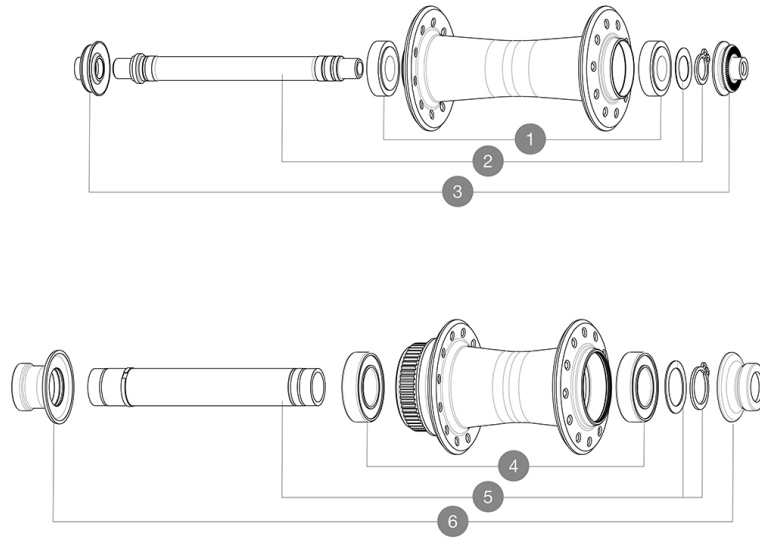


REFERENCES WHEELS



HUB SHELLS

1	V2530201	KIT 2 BEARINGS 10x22x6 + WAVED WASHER + CLIP
2	V2390401	KIT FRT AXLE + CLIP + WASH HUB WITH 10x22 BRG
4	M40129	KIT 2 BEARINGS 6902 15x28x7
5	V2373301	KIT QRM AUTO FRONT AXLE 12mm > 2019

ADAPTERS

3	V2374601	KIT 2 STAINLESS FORK RESTS QRM auto FOR J BENT FRONT HUB
6	V2374701	KIT FRONT ROAD FORK REST 12mm FOR J BENT DISC HUB

MAVIC MR801 CLASSIC RB

DELIVERED WITH

BR601 quick releases (rim brake version only)	
BR601 quick releases (rim brake version only)	
BR301 quick releases (V24 501 01 frt, V24 502 01 rear)	
Front QR adapters (996 941 01 for MTB or B41 043 01 for road)	
Rear QR adapters for Instant Drive 360 (B49 894 01)	

COMPATIBILITY

Freewheel: Shimano/Sram, convertible to Campagnolo and XD-R with optional driver bodies	
Freewheel: Shimano/Sram, convertible to Campagnolo and XD-R with optional driver bodies	
Freewheel: Shimano/Sram, convertible to Campagnolo and XD-R with optional driver bodies	
Front axle: 12x100 thru axle, easily convertible to quick release with included adapters. Not compatible with 15mm through axles.	
Front axle: 12x100 thru axle, easily convertible to quick release with optional adapters. Not compatible with 15mm through axles.	
Front axle: Quick Release only	
Rear axle: 12mm thru axle, convertible to Quick Release with optional adapters	
Rear axle: 12mm thru axle, convertible to Quick Release with included adapters	
Rear axle: Quick Release only	
Maximum spoke width: 2,4mm	
Maximum spoke width: 2,4mm	
Maximum spoke width: 2,4mm	

Specifications

WHEEL HUB

- **Front and rear bodies** : aluminum
 - **Axle material** : aluminum
- Instant Drive 360
QRM Auto
- **Front and rear bodies** : aluminum
 - **Front and rear bodies** : aluminum
 - **Axle material** : aluminum
 - **Axle material** : aluminum
- Auto adjust sealed cartridge bearings (QRM Auto), front and rear
- **Freewheel** : Instant Drive 360
 - **Front** : Quick release and 12x100 through axle compatible
 - **Front** : Quick release and 12x100 through axle compatible
 - **Rear** : Quick Release, 12x142 and 12x135 compatible
 - **Rear** : Quick Release, 12x142 and 12x135 compatible
- Instant Drive 360
QRM Auto

WHEEL WEIGHTS