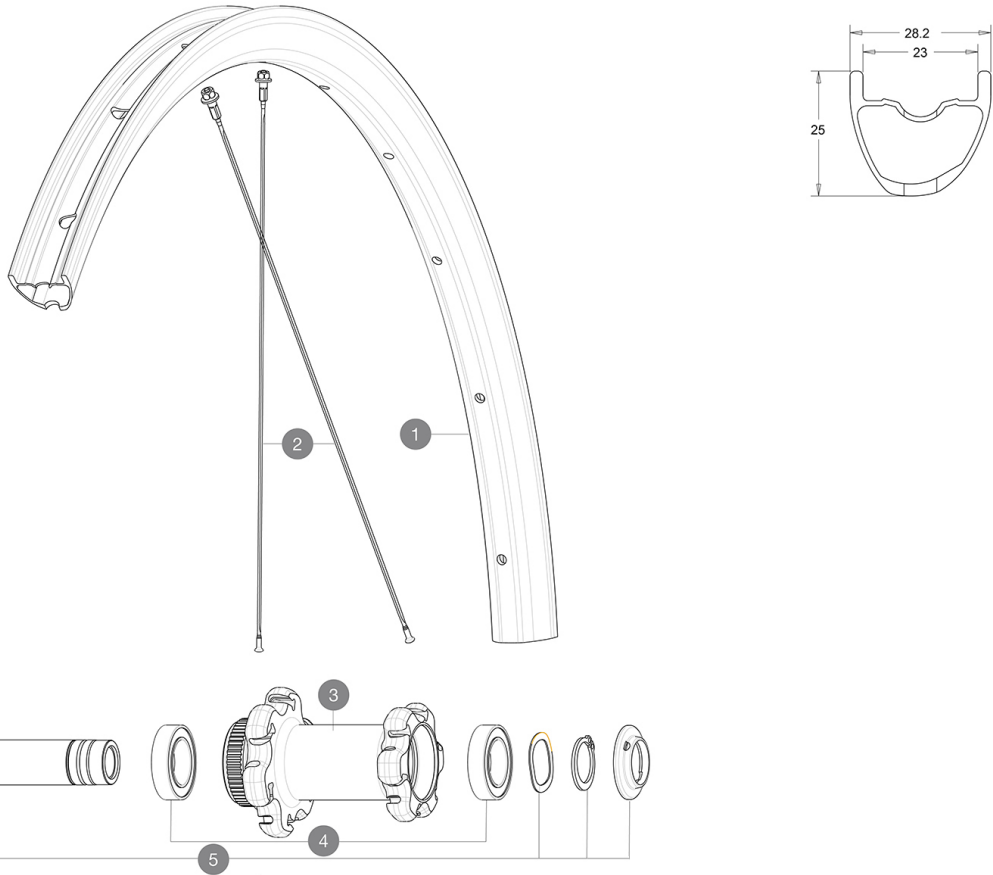


参照ホイール

ASTM A1300 2 : 15A 120A 28 64 mm (1.1" 2.5")
 Maximum tyre pressure: 4.4bar/64PSI with a 28mm tyre - 2.6bar/38PSI with a 64mm tyre



RIMS



&NBSP;:

1	V4092410	Kit Front rim EBM Allroad Pro Carbon SL while stock lasts
1	V2738910	KIT FRONT RIM ALLROAD PRO CARBON SL -while stock last
	V2620101	UST RIM TAPE 25mm (for 21-24mm wide rim)

SPOKES

2	V3668301	Kit 2 FRONT/NDS Allroad Pro Carbon SL stamped spoke 291 + al
2	V3821801	KIT 12 FRT/REAR CROSSMAX PRO CARBON 29" EXTRA FLAT SPOKE 29

HUB SHELLS

3	N/A	HUB BODY
4	V2500901	KIT BEARINGS 18x30x7 + WAVED WASHER + CLIP
5	V2374101	KIT QRM AUTO FRONT L3 AXLE 100x12mm DCL - while stock last
5	V2374001	KIT 12x100mm FRONT AXLE DCL QRM AUTO ALLROAD > 2019

OPTIONS

V2372301	KIT 100mm AXLE QRM AUTO MTB > 2019
V2373501	QRM Auto front axle 15mm for DCL Allroad wheels > 2019

ADAPTERS

V2372501	15mm MTB Axle Cap QRM Auto From 2019
V2680301	"Kit Ft Road Adapter 12 >> 9mm"

