

MAVIC **ALLROAD PRO CARBON SL DISC****REFERENCES WHEELS**

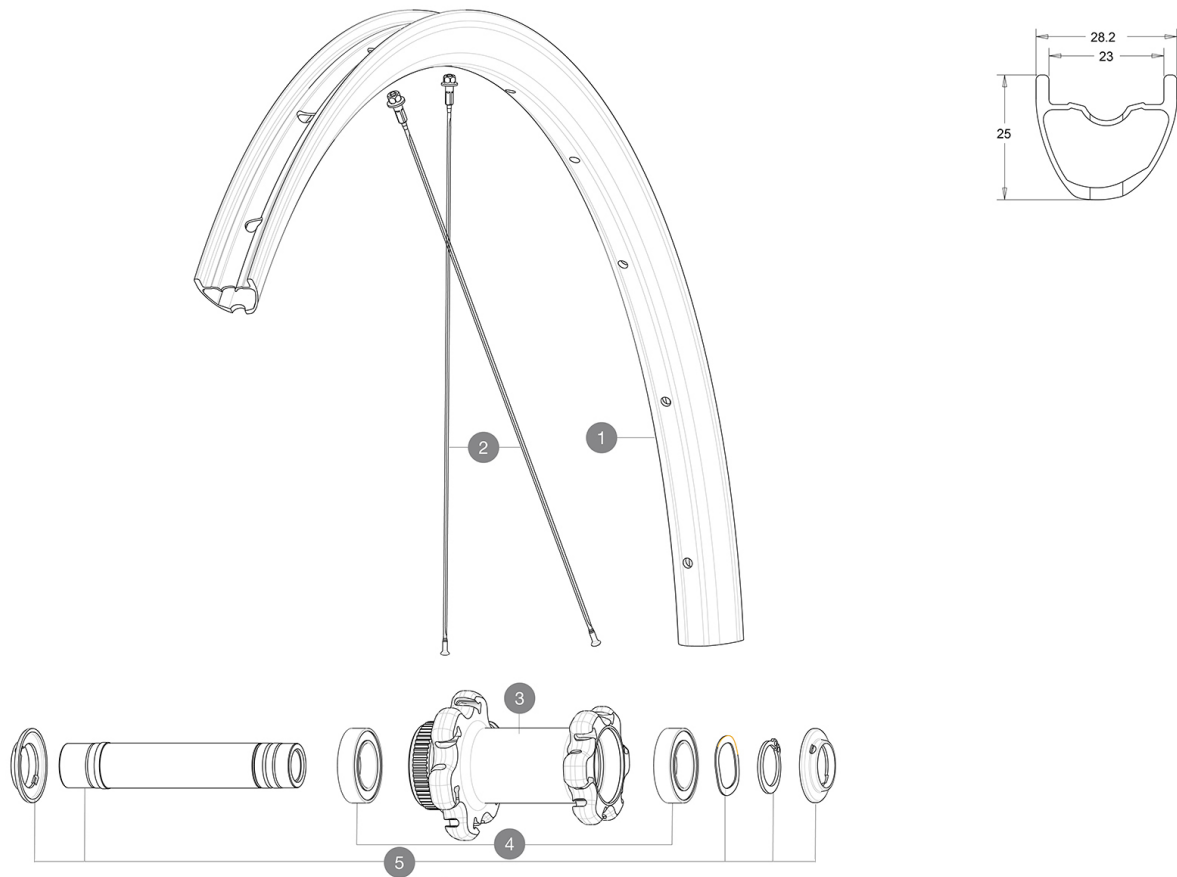
ASTM CATEGORY 2 : road and offroad with jumps less than 15cm

Maximum tyre pressure: 4.4bar/64PSI with a 28mm tyre - 2.6bar/38PSI with a 64mm tyre

For a longer longevity of the wheel, Mavic recommends that the total weight supported by the wheels doesn't exceed 120kg, bike included

Recommended tyre sizes: 28 to 64 mm (1.1" to 2.5")

Max. Pressure: see indication on wheel and tyre. If they differ, use the lowest of the 2

**RIMS**

&NBSP;:

| | | |
|---|----------|---|
| 1 | V4092410 | Kit Front rim EBM Allroad Pro Carbon SL while stock lasts |
| 1 | V2738910 | KIT FRONT RIM ALLROAD PRO CARBON SL -while stock last |
| | V2620101 | UST RIM TAPE 25mm (for 21-24mm wide rim) |

SPOKES

| | | |
|---|----------|--|
| 2 | V3668301 | Kit 2 FRONT/NDS Allroad Pro Carbon SL stamped spoke 291 + al |
| 2 | V3821801 | KIT 12 FRT/REAR CROSSMAX PRO CARBON 29" EXTRA FLAT SPOKE 29 |

HUB SHELLS

| | | |
|---|----------|--|
| 3 | N/A | HUB BODY |
| 4 | V2500901 | KIT BEARINGS 18x30x7 + WAVED WASHER + CLIP |
| 5 | V2374101 | KIT QRM AUTO FRONT L3 AXLE 100x12mm DCL - while stock last |
| 5 | V2374001 | KIT 12x100mm FRONT AXLE DCL QRM AUTO ALLROAD > 2019 |

OPTIONS

| | |
|----------|--|
| V2372301 | KIT 100mm AXLE QRM AUTO MTB > 2019 |
| V2373501 | QRM Auto front axle 15mm for DCL Allroad wheels > 2019 |

ADAPTERS

| | |
|----------|--------------------------------------|
| V2372501 | 15mm MTB Axle Cap QRM Auto From 2019 |
| V2680301 | "Kit Ft Road Adapter 12 >> 9mm" |

MAVIC ALLROAD PRO CARBON SL DISC

2021
FRONT

DELIVERED WITH

| | |
|--|--|
| Mavic tyre sealant (rear wheel) (355 466 01) | |
| Tyre sealant syringe | |
| Front QR adapters (996 941 01 for MTB or B41 043 01 for road) | |
| Rear QR adapters for Instant Drive 360 (B49 894 01) | |
| UST valve and accessories (129 838 01) | |
| UST valve and accessories (129 838 01) | |
| Pre-installed tubeless rim tape | |
| User guide | |
| User guide | |

COMPATIBILITY

| | |
|--|--|
| Freewheel: Shimano/Sram, convertible to Campagnolo and XD-R with optional driver bodies | |
| Freewheel: Shimano/Sram, convertible to Campagnolo and XD-R with optional driver bodies | |
| Front axle: 12mm thru axle, easily convertible to quick release with included adapters. Convertible to 15mm with complete axle replacement | |
| Front axle: 12mm thru axle, easily convertible to quick release with included adapters. Convertible to 15mm with complete axle replacement | |
| Rear axle: 12mm thru axle, convertible to Quick Release with optional adapters and axle replacement | |
| Rear axle: 12mm thru axle, convertible to Quick Release with included adapters | |

Specifications

RIMS

- **Material** : 100% Unidirectional carbon fiber
- **Material** : 100% Unidirectional carbon fiber
- **Height** : 25mm
- **Height** : 25mm
- **Drilling** : traditional
- **Drilling** : traditional

Disc brake specific profile

Disc brake specific profile

- **Valve hole diameter** : 6.5 mm
- **Valve hole diameter** : 6.5 mm
- **Tire** : UST Tubeless and tubetype
- **Tire** : UST Tubeless and tubetype
- **Internal width** : 23 mm
- **Internal width** : 23 mm
- **ETRTO size** : 622x23TSS Road
- **ETRTO size** : 622x23TSS Road

Hookless profile

Hookless profile

Use with Mavic Tubeless Tape

Use with Mavic Tubeless Tape

UST Tubeless Ready

UST Tubeless Ready

SPOKES

- **Material** : steel
- **Material** : steel
- **Shape** : straight pull, flat, double butted
- **Shape** : straight pull, flat, double butted
- **Nipples** : aluminum, ABS
- **Nipples** : aluminum, ABS
- **Count** : 24 front and rear
- **Count** : 24 front and rear
- **Lacing** : front crossed 2, rear Isopulse
- **Lacing** : front crossed 2, rear Isopulse

Isopulse

Isopulse

WHEEL HUB

- **Front and rear bodies** : aluminum
- **Axle material** : aluminum

Instant Drive 360

QRM Auto

- **Front** : Quick release, 12x100 and 15x100 through axle compatible

- **Front and rear bodies** : aluminum

- **Axle material** : aluminum

- **Rear** : Quick Release, 12x142 and 12x135 compatible

Hub available for Center Lock brake rotors only

- **Front** : Quick release, 12x100 and 15x100 through axle compatible

- **Rear** : Quick Release, 12x142 and 12x135 compatible

Instant Drive 360

QRM Auto

VERSIONS

- **Color** : Black only
- **Color** : Black only
- **Disc standard** : Center Lock (R) only
- **Disc standard** : Center Lock (R) only
- **Freewheel** : Shimano/Sram

WHEEL WEIGHTS

670