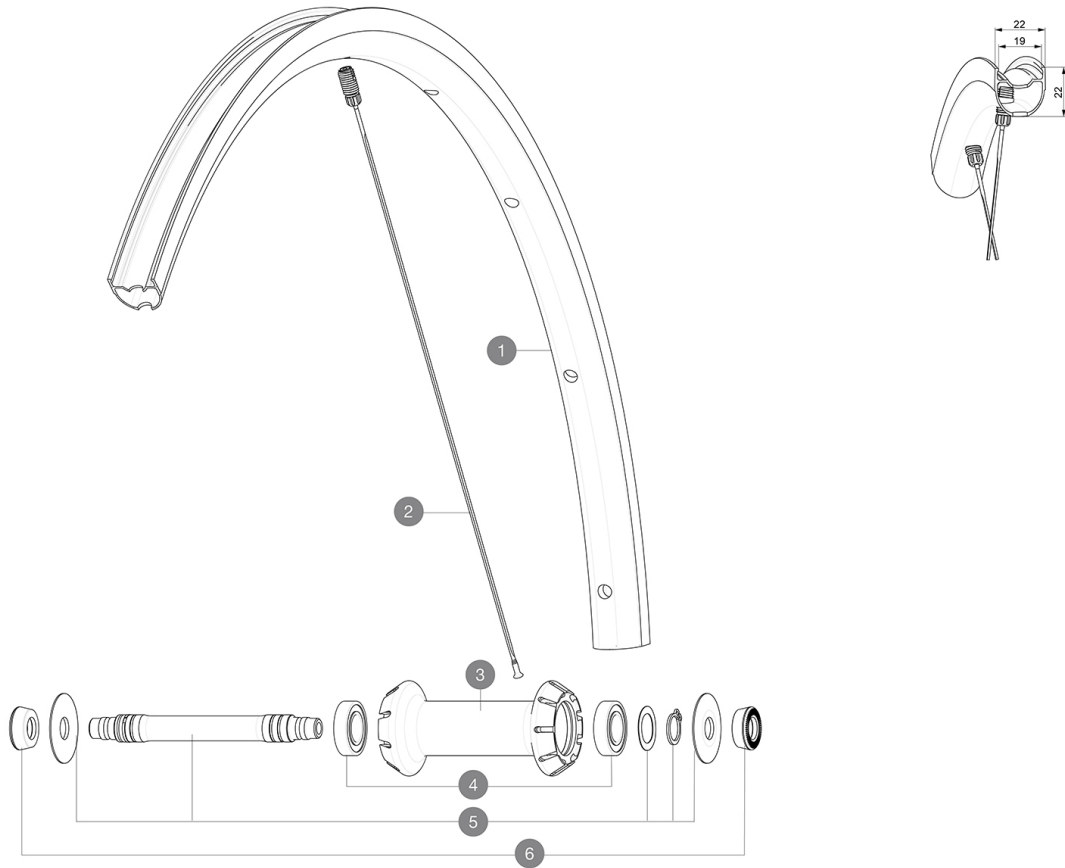


MAVIC **KSYRIUM S**

Maximum tyre pressure: 4.4bar/64PSI with a 28mm tyre - 2.6bar/38PSI with a 64mm tyre
 ASTM CATEGORY 2 : road and offroad with jumps less than 15cm
 Maximum tyre pressure: 6.75bar/97PSI with a 23mm tyre - 3.8bar/55PSI with a 62mm tyre
 For a longer longevity of the wheel, Mavic recommends that the total weight supported by the wheels doesn't exceed 120kg, bike included
 Recommended tyre sizes: 25 to 32 mm
 Max. Pressure: see indication on wheel and tyre. If they differ, use the lowest of the 2
 Maximum tyre size: width 62mm - pressure max. 3.8Bar/55PSI

REFERENCES WHEELS

F90191 KSYRIUM S RB 700 QR

**RIMS**

&NBSP;:

1	V4093910	Kit Front rim Ksyrium S RB
---	----------	----------------------------

SPOKES

2	V4164001	Kit 9 front Ksyrium S butted spoke 289mm M7/7
---	----------	---

HUB SHELLS

3	N/A	HUB BODY
4	M40078	FRONT HUB BEARINGS 6901 x 2
5	V2375801	Kit front axle RB for QRM auto hub + hoobster + wave washer

ADAPTERS

6	35117301	FT/RR FORK REST R-SYS/CC ULTIMATE > 2013/KSY PRO CARB T
---	----------	---

DELIVERED WITH

Mavic tyre sealant (rear wheel) (355 466 01)	
BR101 quick releases (M40350 frt, M40351 rear road, M40352 rear MTB)	
BR101 quick releases (M40350 frt, M40351 rear road, M40352 rear MTB)	
BR101 quick releases (M40350 frt, M40351 rear road, M40352 rear MTB)	
UST valve and accessories (129 838 01)	
UST valve and accessories (129 838 01)	
UST valve and accessories (129 838 01)	
Multifunction adjustment wrench (delivered with rear wheel) (325 423 01)	
User guide	
User guide	
User guide	

COMPATIBILITY

Freewheel: Shimano/Sram, convertible to Campagnolo and XD-R with optional driver bodies	
Freewheel: Shimano/Sram, convertible to Campagnolo and XD-R with optional driver bodies	
Front axle: Quick Release only	
Front axle: Quick Release only	
Freewheel body: convertible SRAM XD road (kit V2580101 sold separately)	
Rear axle: Quick Release only	
Rear axle: Quick Release only	
Freewheel body: convertible SHIMANO HG light road (kit V3850101 sold separately)	
Freewheel body: convertible SHIMANO MS (kit V3990101 sold separately)	
Freewheel body: convertible CAMPAGNOLO ED (kit V3440101 sold separately)	
Freewheel body: convertible CAMPAGNOLO N3W (kit V4270101 sold separately)	
FTS-L Shimano / Sram freewheel body ([30871101] - Delivered on the wheel)	
Front axle: convertible from 15mm thru axle to Quick Release with adapters (delivered with non-boost wheel)	

Specifications**RIMS**

- **Material** : Mxxtal
- **Material** : Mxxtal
- **Material** : Mxxtal
- **Height** : 22 mm
- **Height** : 22 mm
- **Height** : 22 mm
- SUP
- SUP
- **Internal width** : 19 mm
- **Brake track** : UB Control
- **Brake track** : UB Control
- **Drilling** : Fore tapeless tubeless technology (front 18 holes and rear 24 holes)
- **Tire** : UST Tubeless and tubetype
- **Tire** : UST Tubeless and tubetype
- **Internal width** : 19 mm
- **Internal width** : 19 mm
- **Brake track** : UB Control
- **ETRTO size** : 622x19TC Road

WHEEL HUB

- **Body** : aluminum
- **Front and rear bodies** : aluminum
- **Axle material** : aluminum
- Instant Drive 360
- QRM Auto
- **Front and rear bodies** : aluminum
- **Axle material** : aluminum
- **Body design** : INFINITY
- **Axle material** : aluminum
- Hub available for Center Lock brake rotors only
- **Axles** : Front 15X110 (Boost) or 15x100 ; Rear 12X148 (Boost) or 12x142
- **Freewheel** : Shimano HG road
- **Freewheel** : FTS-L steel
- Infinity Hub
- Instant Drive 360
- QRM Auto

VERSIONS

Freewheel : Shimano/Sram

WHEEL WEIGHTS

675