

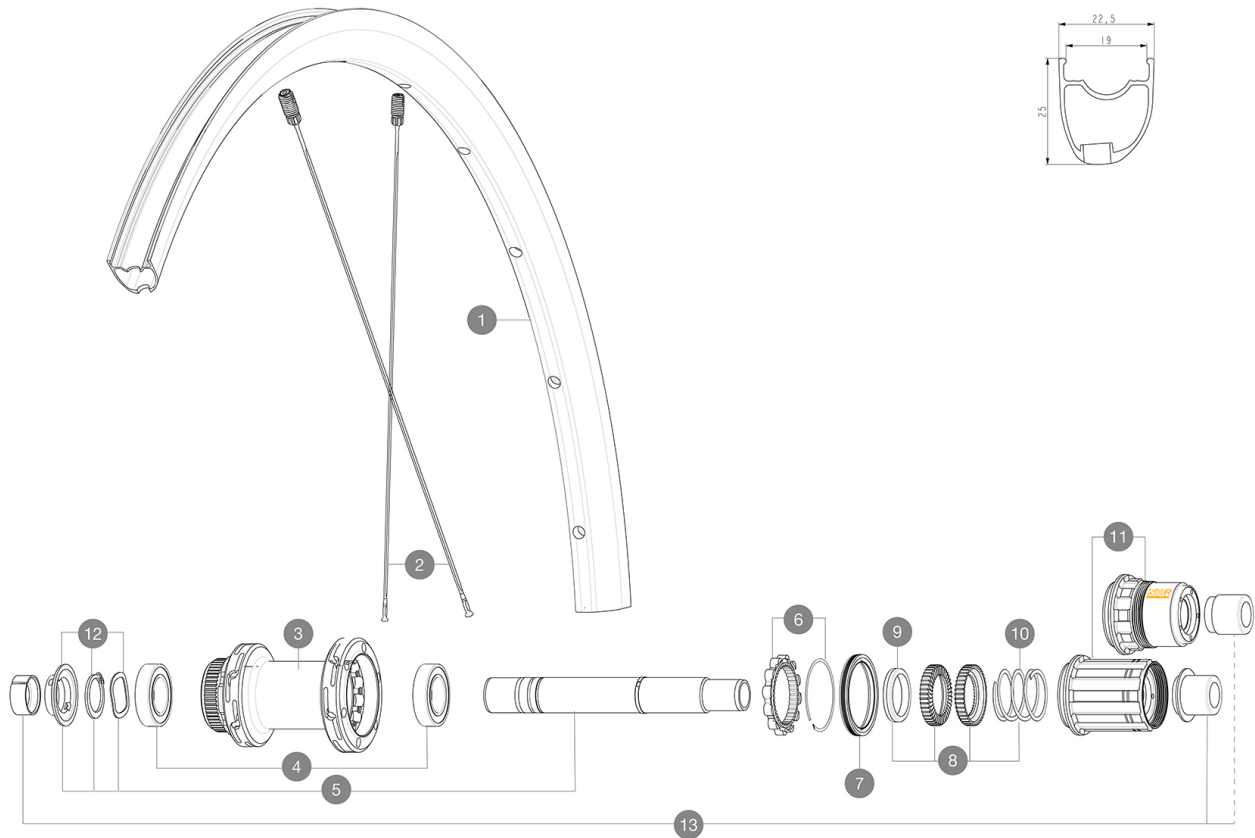
MAVIC KSYRIUM S DISC

2021
REAR

ASTM CATEGORY 2 : road and offroad with jumps less than 15cm
 Mindestgröße des Reifens: Breite 23mm - max. Druck 6.75Bar/97PSI
 For a longer longevity of the wheel, Mavic recommends that the total weight supported by the wheels doesn't exceed 120kg, bike included
 Recommended tyre sizes: 25 to 32 mm
 Max. Pressure: see indication on wheel and tyre. If they differ, use the lowest of the 2
 Maximum tyre pressure: 6.75bar/97PSI with a 23mm tyre - 3.8bar/55PSI with a 62mm tyre
 Maximale Reifengröße: Breite 62mm - max. Druck 3.8Bar/55PSI

REFERENZEN RÄDER

R36761 KSYRIUM S CL 700 12x142 M11 R39021 KSYRIUM S CL 700 12x142 XDR



RIMS



&NBSP::

1 V4093313 Kit Rear rim Ksyrium S Disc

SPOKES

2 V4163501 Kit 12 Front/Rear Ksyrium S Disc butted spoke 294mm M7/7

HUB SHELLS

| | | |
|----|-----------|---|
| 3 | N/A | NABENKÖRPER |
| 4 | M40076 | HUB BEARINGS 17x30x7 6903 x 2 |
| 5 | V2373401 | KIT ID360 135/142 DCL L1 AXLE WITH CLIP |
| 6 | V2252701 | KIT ID360 INSERT SHAPED EAR LOBE > 2017 |
| 7 | V00063631 | Kit ID360 seal version 2 (larger) |
| 8 | V2251701 | ID360 2 RATCHETS + SPRING + GREASE |
| 9 | V2500501 | Kit 3 ID360 pad for noise reduction |
| 10 | V2251801 | KIT 3 ID360 ROAD SPRINGS |
| 11 | V2580101 | FREEHUB BODY XD Road ID360 |
| 11 | V3430101 | HG11 Freewheel Body ID360 |
| 12 | V2373001 | KIT ADJUST. SYSTEM QRM AUTO ID360 for 17x30x7 bearing |

ADAPTERS

| | | |
|----|----------|---|
| 13 | V2510701 | ID360 EVO REAR AXLE ADAPTERS 12x142mm DCL & D6T |
| | V2510901 | ID360 EVO REAR AXLE ADAPTERS 12x135mm DCL & D6T |
| | V2510801 | ID360 EVO REAR AXLE ADAPTERS 9x135mm DCL & D6T |

GELIEFERT MIT

| | |
|--|--|
| User guide | |
| 1 Flasche Mavic Sealant (beim Hinterrad) (355 466 01) | |
| Front QR adapters (996 941 01 for MTB or B41 043 01 for road) | |
| Front QR adapters (996 941 01 for MTB or B41 043 01 for road) | |
| Front QR adapters (996 941 01 for MTB or B41 043 01 for road) | |
| Front QR adapters (996 941 01 for MTB or B41 043 01 for road) | |
| Rear QR adapters for Instant Drive 360 (B49 894 01) | |
| Rear QR adapters for Instant Drive 360 (B49 894 01) | |
| Rear QR adapters for Instant Drive 360 (B49 894 01) | |
| Rear QR adapters for Instant Drive 360 (B49 894 01) | |
| UST valve and accessories (129 838 01) | |
| UST valve and accessories (129 838 01) | |
| UST valve and accessories (129 838 01) | |
| UST valve and accessories (129 838 01) | |
| Multifunktions-Einstellschlüssel (325 423 01) | |
| Multifunktions-Einstellschlüssel (325 423 01) | |
| User guide | |
| User guide | |

COMPATIBILITY

| | |
|---|--|
| Freewheel: Shimano/Sram, convertible to Campagnolo and XD-R with optional driver bodies | |
| Freewheel: Shimano/Sram, convertible to Campagnolo and XD-R with optional driver bodies | |
| Freewheel: Shimano/Sram, convertible to Campagnolo and XD-R with optional driver bodies | |
| Front axle: 12x100 thru axle, easily convertible to quick release with included adapters. Not compatible with 15mm through axles. | |
| Front axle: 12x100 thru axle, easily convertible to quick release with included adapters. Not compatible with 15mm through axles. | |
| Front axle: 12x100 thru axle, easily convertible to quick release with included adapters. Not compatible with 15mm through axles. | |
| Freilaufkörper: SRAM XD StraBe-Konverter (Kit V2580101 separat erhältlich) | |
| Freilaufkörper: SRAM XD StraBe-Konverter (Kit V2580101 separat erhältlich) | |
| Rear axle: 12mm thru axle, convertible to Quick Release with included adapters | |
| Rear axle: 12mm thru axle, convertible to Quick Release with included adapters | |
| Rear axle: 12mm thru axle, convertible to Quick Release with included adapters | |
| Freilaufkörper: SHIMANO HG light StraBe-Konverter (Kit V3850101 separat erhältlich) | |
| Freilaufkörper: SHIMANO HG light StraBe-Konverter (Kit V3850101 separat erhältlich) | |
| Freilaufkörper: SHIMANO MS-Konverter (Kit V3990101 separat erhältlich) | |
| Freilaufkörper: SHIMANO MS-Konverter (Kit V3990101 separat erhältlich) | |
| Freilaufkörper: CAMPAGNOLO ED-Konverter (Kit V3440101 separat erhältlich) | |
| Freilaufkörper: CAMPAGNOLO ED-Konverter (Kit V3440101 separat erhältlich) | |
| Front axle: 12x100 thru axle, easily convertible to quick release with included adapters. Not compatible with 15mm through axles. | |