

MAVIC KSYRIUM S DISC

2021
REAR

ASTM CATEGORY 2 : road and offroad with jumps less than 15cm

Tamaño máximo del neumático: anchura 23 mm - presión máx. 6,75 Bar/97 PSI

For a longer longevity of the wheel, Mavic recommends that the total weight supported by the wheels doesn't exceed 120kg, bike included

Recommended tyre sizes: 25 to 32 mm

Max. Pressure: see indication on wheel and tyre. If they differ, use the lowest of the 2

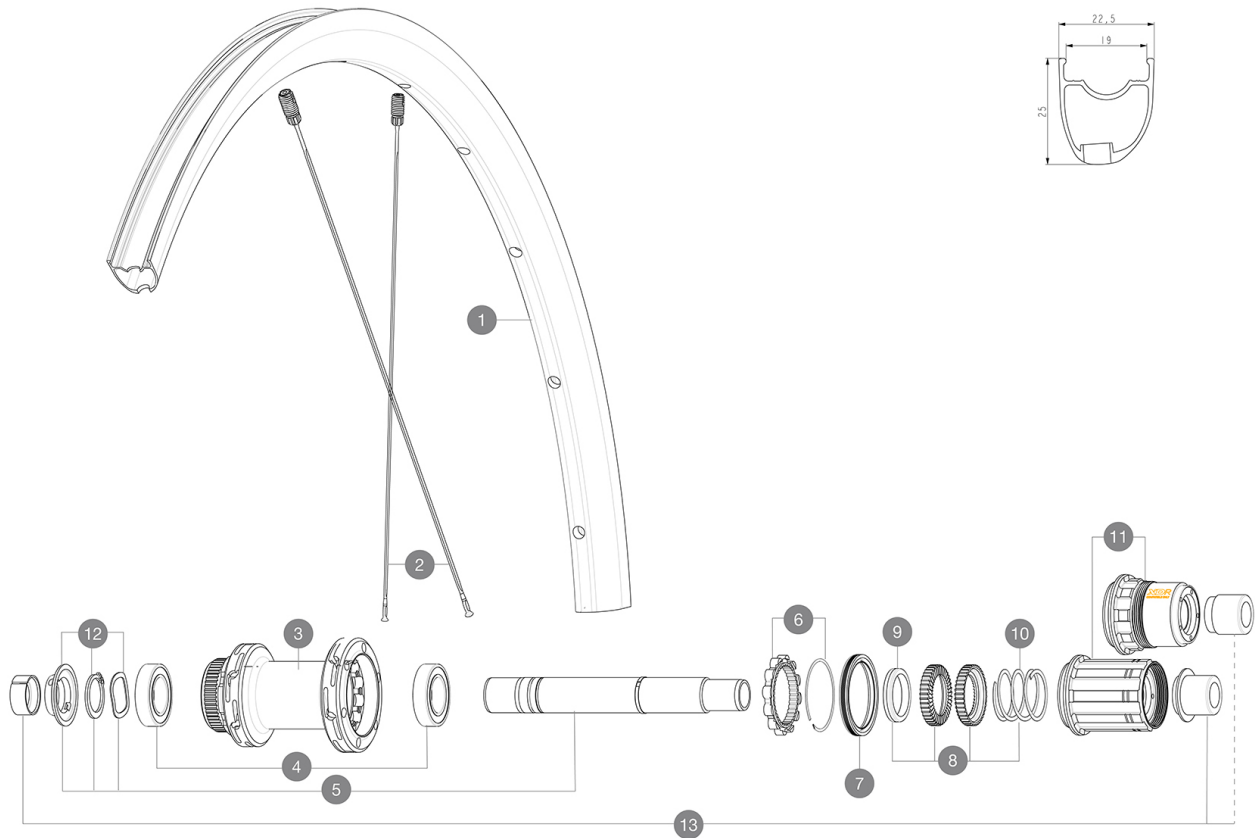
Maximum tyre pressure: 6.75bar/97PSI with a 23mm tyre - 3.8bar/55PSI with a 62mm tyre

Tamaño máximo del neumático: anchura 62 mm - presión máx. 3,8 bares/55 psi

RUEDAS REFERENCIAS

R36761 KSYRIUM S CL 700 12x142 M11

R39021 KSYRIUM S CL 700 12x142 XDR



RIMS



&NBSP::

1 V4093313 Kit Rear rim Ksyrium S Disc

SPOKES

2 V4163501 Kit 12 Front/Rear Ksyrium S Disc butted spoke 294mm M7/7

HUB SHELLS

3	N/A	CUERPO DE BUJE
4	M40076	HUB BEARINGS 17x30x7 6903 x 2
5	V2373401	KIT ID360 135/142 DCL L1 AXLE WITH CLIP
6	V2252701	KIT ID360 INSERT SHAPED EAR LOBE > 2017
7	V00063631	Kit ID360 seal version 2 (larger)
8	V2251701	ID360 2 RATCHETS + SPRING + GREASE
9	V2500501	Kit 3 ID360 pad for noise reduction
10	V2251801	KIT 3 ID360 ROAD SPRINGS
11	V3430101	HG11 Freewheel Body ID360
11	V2580101	FREEHUB BODY XD Road ID360
12	V2373001	KIT ADJUST. SYSTEM QRM AUTO ID360 for 17x30x7 bearing

ADAPTERS

13	V2510701	ID360 EVO REAR AXLE ADAPTERS 12x142mm DCL & D6T
	V2510801	ID360 EVO REAR AXLE ADAPTERS 9x135mm DCL & D6T
	V2510901	ID360 EVO REAR AXLE ADAPTERS 12x135mm DCL & D6T

ENTREGADO CON

User guide	
Mavic Tyre Sealant (rueda trasera) (355 466 01)	
Front QR adapters (996 941 01 for MTB or B41 043 01 for road)	
Front QR adapters (996 941 01 for MTB or B41 043 01 for road)	
Front QR adapters (996 941 01 for MTB or B41 043 01 for road)	
Front QR adapters (996 941 01 for MTB or B41 043 01 for road)	
Rear QR adapters for Instant Drive 360 (B49 894 01)	
Rear QR adapters for Instant Drive 360 (B49 894 01)	
Rear QR adapters for Instant Drive 360 (B49 894 01)	
Rear QR adapters for Instant Drive 360 (B49 894 01)	
UST valve and accessories (129 838 01)	
UST valve and accessories (129 838 01)	
UST valve and accessories (129 838 01)	
UST valve and accessories (129 838 01)	
Llave de ajuste multifunciÃ³n (325 423 01)	
Llave de ajuste multifunciÃ³n (325 423 01)	
User guide	
User guide	

COMPATIBILITY

Freewheel: Shimano/Sram, convertible to Campagnolo and XD-R with optional driver bodies	
Freewheel: Shimano/Sram, convertible to Campagnolo and XD-R with optional driver bodies	
Freewheel: Shimano/Sram, convertible to Campagnolo and XD-R with optional driver bodies	
Front axle: 12x100 thru axle, easily convertible to quick release with included adapters. Not compatible with 15mm through axles.	
Front axle: 12x100 thru axle, easily convertible to quick release with included adapters. Not compatible with 15mm through axles.	
Front axle: 12x100 thru axle, easily convertible to quick release with included adapters. Not compatible with 15mm through axles.	
Cuerpo rueda libre: convertible SRAM XD carretera (kit V2580101 vendido por separado)	
Cuerpo rueda libre: convertible SRAM XD carretera (kit V2580101 vendido por separado)	
Rear axle: 12mm thru axle, convertible to Quick Release with included adapters	
Rear axle: 12mm thru axle, convertible to Quick Release with included adapters	
Rear axle: 12mm thru axle, convertible to Quick Release with included adapters	
Cuerpo rueda libre: convertible SHIMANO HG ligera carretera (kit V3850101 vendido por separado)	
Cuerpo rueda libre: convertible SHIMANO HG ligera carretera (kit V3850101 vendido por separado)	
Cuerpo rueda libre: convertible SHIMANO MS (kit V3990101 vendido por separado)	
Cuerpo rueda libre: convertible SHIMANO MS (kit V3990101 vendido por separado)	
Cuerpo rueda libre: convertible CAMPAGNOLO ED (kit V3440101 vendido por separado)	
Cuerpo rueda libre: convertible CAMPAGNOLO ED (kit V3440101 vendido por separado)	
Front axle: 12x100 thru axle, easily convertible to quick release with included adapters. Not compatible with 15mm through axles.	