

**MAVIC** *Cosmic SLR 45 Disc*

ASTM CATEGORY 2 : road and offroad with jumps less than 15cm

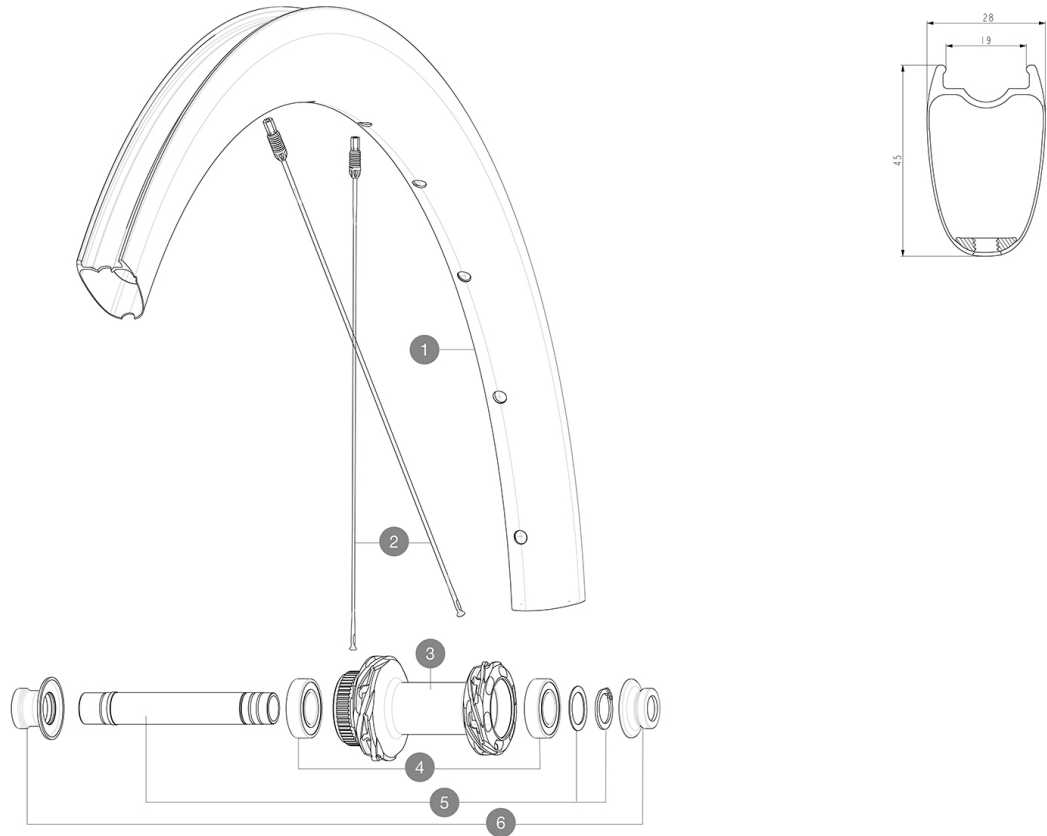
For a longer longevity of the wheel, Mavic recommends that the total weight supported by the wheels doesn't exceed 120kg, bike included

Recommended tyre sizes: 25 to 32 mm

Max. Pressure: see indication on wheel and tyre. If they differ, use the lowest of the 2

**REFERENCES WHEELS**

F90181 Cosmic SLR 45 DCL Ft

**RIMS**

&NBSP;:

1	V4095015	Kit Front/Rear rim Cosmic SLR 45 Disc MY22
1	V4093615	Kit Front/Rear rim Cosmic SLR 45 Disc - while stock last

**SPOKES**

2	V4163701	Kit 12 Front/Rear Cosmic SLR 45 Disc aero stainless spoke 27
---	----------	--

**HUB SHELLS**

3	N/A	HUB BODY
4	M40129	KIT 2 BEARINGS 6902 15x28x7
5	V2373301	KIT QRM AUTO FRONT AXLE 12mm > 2019

**ADAPTERS**

6	V2374701	KIT FRONT ROAD FORK REST 12mm FOR J BENT DISC HUB
	V2680301	"Kit Ft Road Adapter 12 >>> 9mm"

# MAVIC Cosmic SLR 45 Disc

2021  
FRONT

## DELIVERED WITH

UST valve and accessories (129 838 01)	
User guide	

## COMPATIBILITY

Freewheel: Shimano/Sram, convertible to Campagnolo and XD-R with optional driver bodies	
Front axle: 12x100 thru axle, easily convertible to quick release with included adapters. Not compatible with 15mm through axles.	
Rear axle: 12mm thru axle, convertible to Quick Release with optional adapters	

## Specifications

### RIMS

- **Material** : 100% carbon fiber
  - **Height** : 45 mm
- Disc brake specific profile
- **Tire** : UST Tubeless and tubetype
  - **Internal width** : 19 mm
  - **ETRTO size** : 622x19TC Road

Fore Carbon  
UST

### SPOKES

- **Material** : steel
- **Shape** : straight pull, elliptical aero, double butted (patented)
- **Nipples** : Fore integrated aluminum
- **Count** : 24 front and rear
- **Lacing** : front and rear crossed 2, contactless

### WHEEL HUB

- **Front and rear bodies** : aluminum
  - **Axle material** : aluminum
  - **Front** : Quick release and 12x100 through axle compatible
  - **Rear** : Quick Release, 12x142 and 12x135 compatible
- Infinity Hub  
Instant Drive 360  
QRM Auto

### VERSIONS

- **Disc standard** : Center Lock (R) only
- **Freewheel** : Shimano/Sram or XD-Road

### WHEEL WEIGHTS

670