

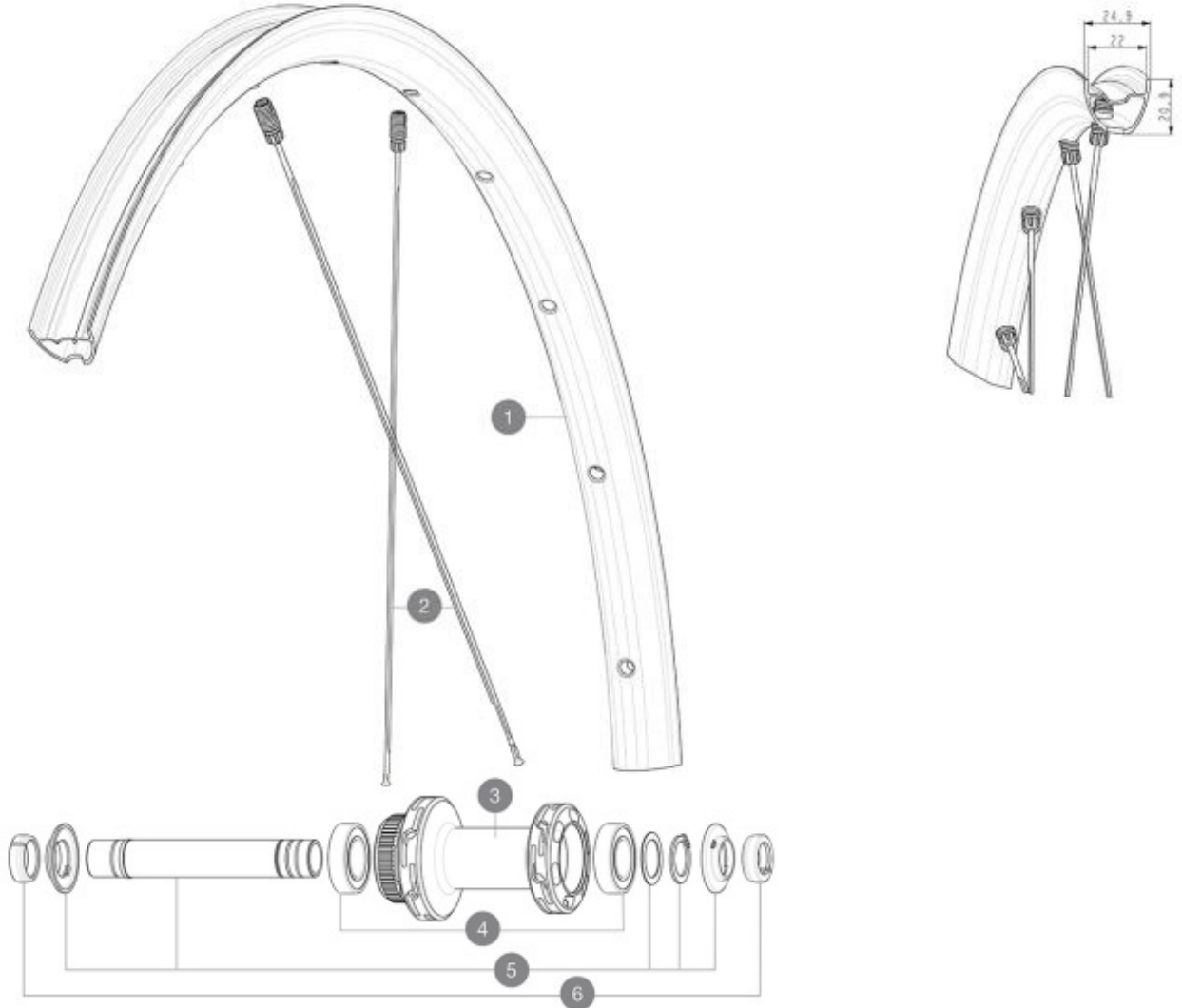
MAVIC ALLROAD S DISC

1
2021
FRONT

ASTM CATEGORY 2 : road and offroad with jumps less than 15cm
 For a longer longevity of the wheel, Mavic recommends that the total weight supported by the wheels doesn't exceed 120kg, bike included
 Recommended tyre sizes: 28 to 64 mm (1.1" to 2.5")
 Max. Pressure: see indication on wheel and tyre. If they differ, use the lowest of the 2
 Maximum tyre pressure: 4.6bar/67PSI with a 28mm tyre - 32.7bar/39PSI with a 64mm tyre

REFERENZEN RÄDER

F90221 ALLROAD S CL 700 12X100



RIMS



&NBSP;:

1	V00097531	Kit Front/Rear rim Allroad S 23
1	V4092115	Kit Front/Rear rim Allroad S while stock lasts

SPOKES

2	V4162601	Kit 12 Front/Rear Allroad S flat spoke 298 M7/7
---	----------	---

HUB SHELLS

3	N/A	NABENKÖRPER
4	V2500901	KIT BEARINGS 18x30x7 + WAVED WASHER + CLIP
5	V2374001	KIT 12x100mm FRONT AXLE DCL QRM AUTO ALLROAD > 2019

OPTIONS

6	V2372501	15mm MTB Axle Cap QRM Auto From 2019
	V2680301	"Kit Ft Road Adapter 12 >> 9mm"
	V2373501	QRM Auto front axle 15mm for DCL Allroad wheels > 2019

MAVIC ALLROAD S DISC

GELIEFERT MIT

UST valve and accessories (129 838 01)	
UST valve and accessories (129 838 01)	
UST valve and accessories (129 838 01)	
Multifunktions-Einstellschlüssel (325 423 01)	
User guide	
User guide	
User guide	

COMPATIBILITY

Freewheel: Shimano/Sram, convertible to Campagnolo and XD-R with optional driver bodies	
Freewheel: Shimano/Sram, convertible to Campagnolo and XD-R with optional driver bodies	
Freewheel: Shimano/Sram, convertible to Campagnolo and XD-R with optional driver bodies	
VR-Achse: 12x100 mm, umrÄ¼stbar auf Schnellspanner (mit beiliegenden Adaptern). UmrÄ¼stung auf 15x100 mm durch Austausch der kompletten Achse mÄ¼glich	
VR-Achse: 12x100 mm, umrÄ¼stbar auf Schnellspanner (mit beiliegenden Adaptern). UmrÄ¼stung auf 15x100 mm durch Austausch der kompletten Achse mÄ¼glich	
VR-Achse: 12-mm-Steckachse, mit optionalen Adaptern einfach auf Schnellspanner umrÄ¼stbar. UmrÄ¼stung auf 15-mm-Steckachse durch Austausch der komplet	
Rear axle: 12mm thru axle, convertible to Quick Release with optional adapters	
Rear axle: 12mm thru axle, convertible to Quick Release with optional adapters	
Rear axle: 12mm thru axle, convertible to Quick Release with optional adapters	

Specifications

FELGEN

- **Material** : Maxtal
 - **Height** : 22 mm
- Disc brake specific profile
- **Material** : Maxtal
 - **Material** : Maxtal
 - **Tire** : UST Tubeless and tubetype
 - **Height** : 22 mm
 - **Height** : 22 mm
 - **Internal width** : 22 mm
 - **ETRTO size** : 622x22TSS ROAD
- Hookless profile
- Disc brake specific profile
- Disc brake specific profile
- **Tire** : UST Tubeless and tubetype
 - **Tire** : UST Tubeless and tubetype
 - **Internal width** : 22 mm
 - **Internal width** : 22 mm
 - **ETRTO size** : 622x22TSS ROAD
 - **ETRTO size** : 622x22TSS ROAD
- Hookless profile
- Hookless profile
- Fore
- Fore
- UST
- UST
- UST
- SUP
- SUP
- SUP

SPEICHEN

- **Material** : steel
- **Material** : steel
- **Material** : steel

RADNABE

- **Front and rear bodies** : aluminum
 - **Front and rear bodies** : aluminum
 - **Front and rear bodies** : aluminum
 - **Axle material** : aluminum
 - **Axle material** : aluminum
 - **Axle material** : aluminum
- Infinity Hub
- **Front** : Quick release, 12x100 and 15x100 through axle compatible
 - **Front** : Quick release, 12x100 and 15x100 through axle compatible
 - **Front** : Quick release, 12x100 and 15x100 through axle compatible
 - **Rear** : Quick Release, 12x142 and 12x135 compatible
 - **Rear** : Quick Release, 12x142 and 12x135 compatible
 - **Rear** : Quick Release, 12x142 and 12x135 compatible
- Infinity Hub
- Infinity Hub
- Nabe nur fÄ¼r Center-LockÄ®-Bremsscheiben erhÄ¼ltlich
- Instant Drive 360
- Instant Drive 360
- Instant Drive 360
- QRM Auto
- QRM Auto
- QRM Auto

VERSIONS

- **Disc standard** : Center Lock (R) only
- **Disc standard** : Center Lock (R) only
- **Disc standard** : Center Lock (R) only
- **Freewheel** : Shimano/Sram or XD-Road

RADGEWICHTE

830