

MAVIC ALLROAD S DISC

ASTM CATEGORY 2 : road and offroad with jumps less than 15cm

For a longer longevity of the wheel, Mavic recommends that the total weight supported by the wheels doesn't exceed 120kg, bike included

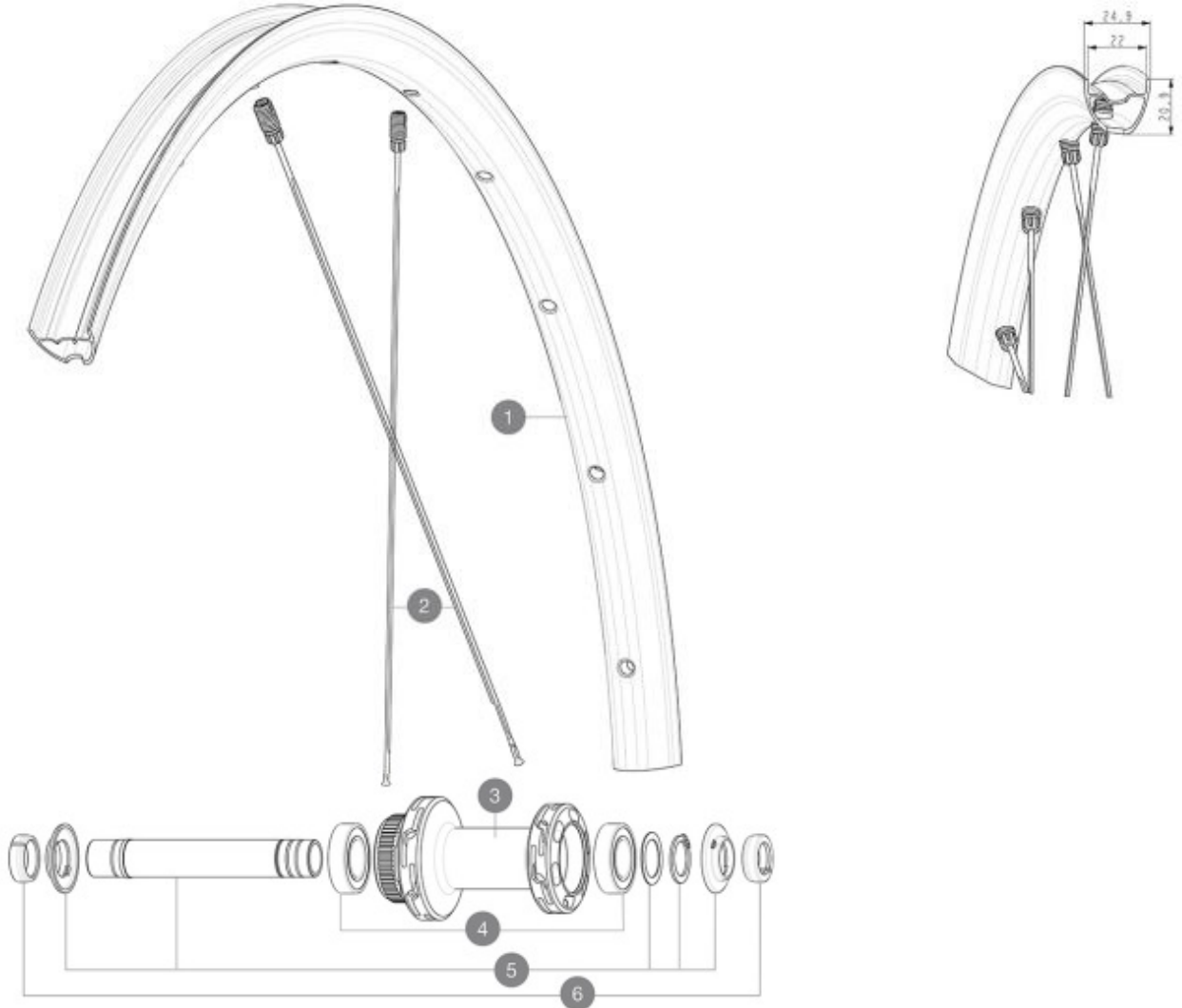
Maximum tyre pressure: 4.6bar/67PSI with a 28mm tyre - 32.7bar/39PSI with a 64mm tyre

Recommended tyre sizes: 28 to 64 mm (1.1" to 2.5")

Max. Pressure: see indication on wheel and tyre. If they differ, use the lowest of the 2

REFERENCES WHEELS

F90221 ALLROAD S CL 700 12X100

**RIMS**

&NBSP;:

1	V00097531	Kit Front/Rear rim Allroad S 23
1	V4092115	Kit Front/Rear rim Allroad S while stock lasts

SPOKES

2	V4162601	Kit 12 Front/Rear Allroad S flat spoke 298 M7/7
---	----------	---

HUB SHELLS

3	N/A	HUB BODY
4	V2500901	KIT BEARINGS 18x30x7 + WAVED WASHER + CLIP
5	V2374001	KIT 12x100mm FRONT AXLE DCL QRM AUTO ALLROAD > 2019

OPTIONS

6	V2372501	15mm MTB Axle Cap QRM Auto From 2019
	V2680301	"Kit Ft Road Adapter 12 >> 9mm"
	V2373501	QRM Auto front axle 15mm for DCL Allroad wheels > 2019

DELIVERED WITH

UST valve and accessories (129 838 01)	
UST valve and accessories (129 838 01)	
User guide	
User guide	

COMPATIBILITY

Freewheel: Shimano/Sram, convertible to Campagnolo and XD-R with optional driver bodies	
Freewheel: Shimano/Sram, convertible to Campagnolo and XD-R with optional driver bodies	
Front axle: 12mm thru axle, easily convertible to quick release with optional adapters. Convertible to 15mm with complete axle replacement	
Front axle: 12mm thru axle, easily convertible to quick release with optional adapters. Convertible to 15mm with complete axle replacement	
Rear axle: 12mm thru axle, convertible to Quick Release with optional adapters	
Rear axle: 12mm thru axle, convertible to Quick Release with optional adapters	

Specifications

RIMS

- **Material** : Maxtal
- **Material** : Maxtal
- **Height** : 22 mm
- **Height** : 22 mm

SUP

Disc brake specific profile

Disc brake specific profile

- **Tire** : UST Tubeless and tubetype
- **Tire** : UST Tubeless and tubetype
- **Internal width** : 22 mm
- **Internal width** : 22 mm
- **ETRTO size** : 622x22TSS ROAD
- **ETRTO size** : 622x22TSS ROAD

Hookless profile

Hookless profile

Fore

Fore

UST

UST

SUP

SPOKES

- **Material** : steel
- **Material** : steel
- **Shape** : straight pull, flat, double butted
- **Shape** : straight pull, flat, double butted
- **Nipples** : Fore integrated aluminum
- **Nipples** : Fore integrated aluminum
- **Count** : 24 front and rear
- **Count** : 24 front and rear
- **Lacing** : front and rear crossed 2, contactless
- **Lacing** : front and rear crossed 2, contactless

WHEEL HUB

Infinity Hub

- **Front and rear bodies** : aluminum

- **Axle material** : aluminum

Instant Drive 360

QRM Auto

- **Front and rear bodies** : aluminum

- **Front** : Quick release, 12x100 and 15x100 through axle compatible

- **Rear** : Quick Release, 12x142 and 12x135 compatible

- **Axle material** : aluminum

Hub available for Center Lock brake rotors only

- **Front** : Quick release, 12x100 and 15x100 through axle compatible

- **Rear** : Quick Release, 12x142 and 12x135 compatible

Infinity Hub

Infinity Hub

Instant Drive 360

QRM Auto

VERSIONS

- **Disc standard** : Center Lock (R) only

- **Disc standard** : Center Lock (R) only

- **Freewheel** : Shimano/Sram or XD-Road

- **Freewheel** : Shimano/Sram

WHEEL WEIGHTS

830