

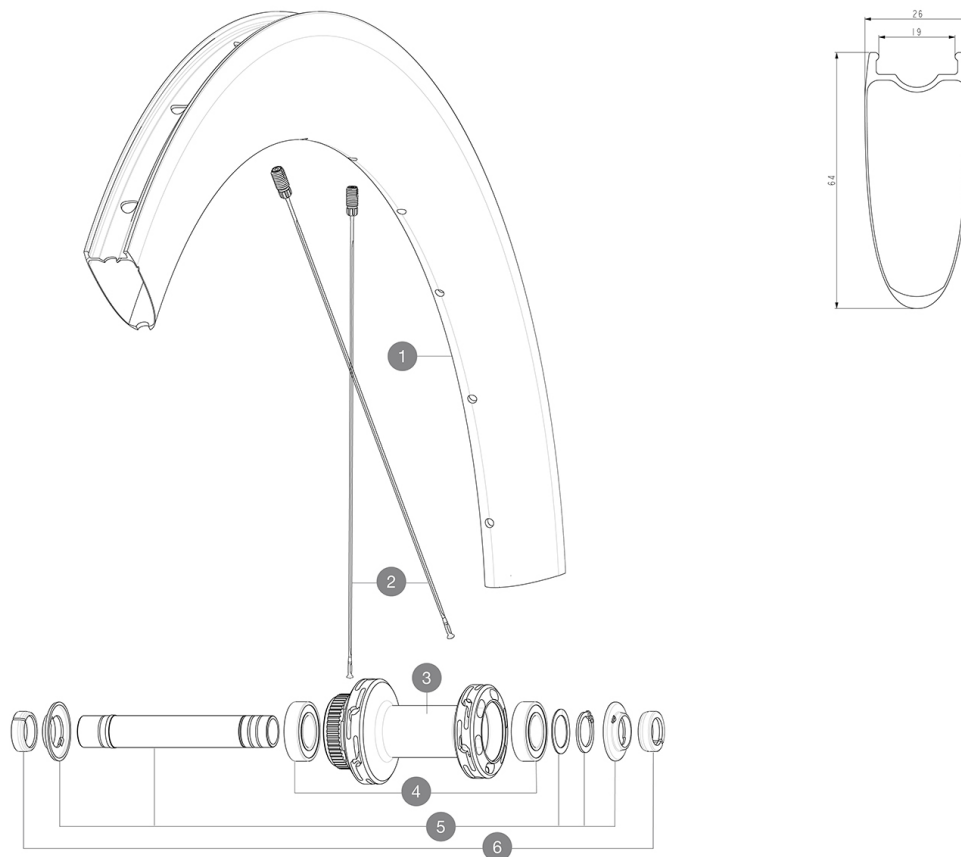
# MAVIC COSMIC SL 65 DISC

1  
2021  
FRONT

ASTM CATEGORY 2 : road and offroad with jumps less than 15cm  
For a longer longevity of the wheel, Mavic recommends that the total weight supported by the wheels doesn't exceed 120kg, bike included  
Recommended tyre sizes: 25 to 32 mm  
Max. Pressure: see indication on wheel and tyre. If they differ, use the lowest of the 2

## REFERENZEN RÄDER

F90311 COSMIC SL 65 DISC



## RIMS



&NBSP;:

1	V4093115 V2620101	Kit Front/Rear rim Cosmic SL 65 Disc UST RIM TAPE 25mm (for 21-24mm wide rim)
---	----------------------	--

## SPOKES

2	V4163301	Kit 12 Front/Rear Cosmic SL 65 Disc butted stainless spoke 2
---	----------	--

## HUB SHELLS

3	N/A	NABENKÖRPER
4	M40129	KIT 2 BEARINGS 6902 15x28x7
5	V2373301	KIT QRM AUTO FRONT AXLE 12mm > 2019

## ADAPTERS

6	V2680501 V2680301	12mm Road Axle Cap QRM Auto "Kit Ft Road Adapter 12 >>> 9mm"
---	----------------------	---

# MAVIC COSMIC SL 65 DISC

2021  
FRONT

## GELIEFERT MIT

Front QR adapters (996 941 01 for MTB or B41 043 01 for road)	
Front QR adapters (996 941 01 for MTB or B41 043 01 for road)	
Rear QR adapters for Instant Drive 360 (B49 894 01)	
Rear QR adapters for Instant Drive 360 (B49 894 01)	
UST valve and accessories (129 838 01)	
UST valve and accessories (129 838 01)	
Tubeless-Felgenband	
User guide	
User guide	

## COMPATIBILITY

Freewheel: Shimano/Sram, convertible to Campagnolo and XD-R with optional driver bodies	
Freewheel: Shimano/Sram, convertible to Campagnolo and XD-R with optional driver bodies	
Front axle: 12x100 thru axle, easily convertible to quick release with included adapters. Not compatible with 15mm through axles.	
Front axle: 12x100 thru axle, easily convertible to quick release with included adapters. Not compatible with 15mm through axles.	
Rear axle: 12mm thru axle, convertible to Quick Release with included adapters	
Rear axle: 12mm thru axle, convertible to Quick Release with included adapters	

## Specifications

### FELGEN

- **Material** : 100% carbon fiber
- **Height** : 64mm
- **Material** : 100% carbon fiber
- **Drilling** : traditional

Disc brake specific profile

- **Tire** : UST Tubeless and tubetype
- **Internal width** : 19 mm
- **ETRTO size** : 622x19TC Road
- **Height** : 64mm
- **Drilling** : traditional

Disc brake specific profile

- **Tire** : UST Tubeless and tubetype
- **Internal width** : 19 mm
- **ETRTO size** : 622x19TC Road

UST

UST

### SPEICHEN

- **Material** : steel
- **Material** : steel
- **Shape** : straight pull, flat, double butted
- **Shape** : straight pull, flat, double butted
- **Nipples** : brass, ABS
- **Nipples** : brass, ABS
- **Count** : 24 front and rear
- **Count** : 24 front and rear
- **Lacing** : front and rear crossed 2, contactless
- **Lacing** : front and rear crossed 2, contactless

### RADNABE

- **Front and rear bodies** : aluminum
- **Front and rear bodies** : aluminum
- **Axle material** : aluminum
- **Axle material** : aluminum

Infinity Hub

- **Front** : Quick release and 12x100 through axle compatible

- **Front** : Quick release and 12x100 through axle compatible

- **Rear** : Quick Release, 12x142 and 12x135 compatible

- **Rear** : Quick Release, 12x142 and 12x135 compatible

Infinity Hub

Instant Drive 360

Instant Drive 360

QRM Auto

QRM Auto

### VERSIONS

- **Disc standard** : Center Lock (R) only
- **Disc standard** : Center Lock (R) only
- **Freewheel** : Shimano/Sram or XD-Road
- **Freewheel** : Shimano/Sram or XD-Road

### RADGEWICHTE

820