

MAVIC COSMIC SL 65 DISC

1
2021
FRONT

ASTM CATEGORY 2 : road and offroad with jumps less than 15cm

For a longer longevity of the wheel, Mavic recommends that the total weight supported by the wheels doesn't exceed 120kg, bike included

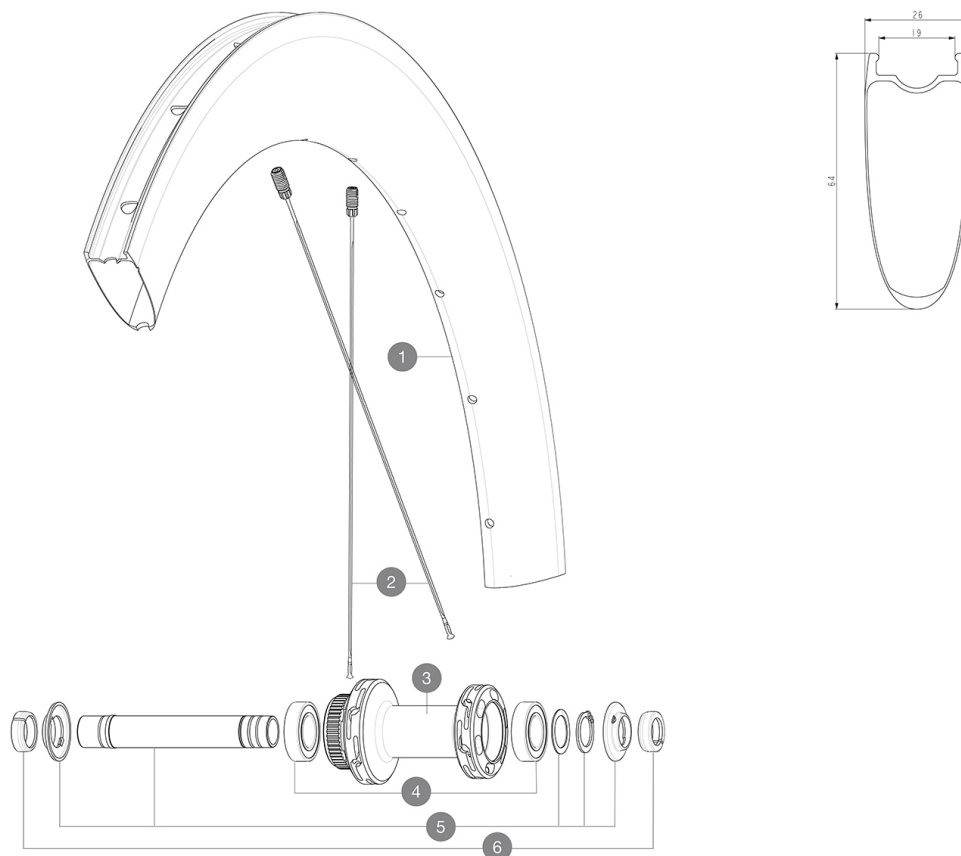
Recommended tyre sizes: 25 to 32 mm

Max. Pressure: see indication on wheel and tyre. If they differ, use the lowest of the 2

Maximum tyre pressure: 6.75bar/97PSI with a 23mm tyre - 3.8bar/55PSI with a 62mm tyre

REFERENZEN RÄDER

F90311 COS SL 65 CL 700 12X100



RIMS



&NBSP;:

| | | |
|---|----------|--|
| 1 | V4093115 | Kit Front/Rear rim Cosmic SL 65 Disc |
| | V2620101 | UST RIM TAPE 25mm (for 21-24mm wide rim) |

SPOKES

| | | |
|---|----------|--|
| 2 | V4163301 | Kit 12 Front/Rear Cosmic SL 65 Disc butted stainless spoke 2 |
|---|----------|--|

HUB SHELLS

| | | |
|---|----------|-------------------------------------|
| 3 | N/A | NABENKÖRPER |
| 4 | M40129 | KIT 2 BEARINGS 6902 15x28x7 |
| 5 | V2373301 | KIT QRM AUTO FRONT AXLE 12mm > 2019 |

ADAPTERS

| | | |
|---|----------|---------------------------------|
| 6 | V2680501 | 12mm Road Axle Cap QRM Auto |
| | V2680301 | "Kit Ft Road Adapter 12 >> 9mm" |

MAVIC COSMIC SL 65 DISC

2021
FRONT

GELIEFERT MIT

| | |
|--|--|
| Front QR adapters (996 941 01 for MTB or B41 043 01 for road) | |
| Front QR adapters (996 941 01 for MTB or B41 043 01 for road) | |
| Front QR adapters (996 941 01 for MTB or B41 043 01 for road) | |
| Front QR adapters (996 941 01 for MTB or B41 043 01 for road) | |
| Rear QR adapters for Instant Drive 360 (B49 894 01) | |
| Rear QR adapters for Instant Drive 360 (B49 894 01) | |
| Rear QR adapters for Instant Drive 360 (B49 894 01) | |
| Rear QR adapters for Instant Drive 360 (B49 894 01) | |
| UST valve and accessories (129 838 01) | |
| UST valve and accessories (129 838 01) | |
| UST valve and accessories (129 838 01) | |
| UST valve and accessories (129 838 01) | |
| Tubeless-Felgenband | |
| Tubeless-Felgenband | |
| Tubeless-Felgenband | |
| User guide | |
| User guide | |
| User guide | |

COMPATIBILITY

| | |
|---|--|
| Freewheel: Shimano/Sram, convertible to Campagnolo and XD-R with optional driver bodies | |
| Freewheel: Shimano/Sram, convertible to Campagnolo and XD-R with optional driver bodies | |
| Freewheel: Shimano/Sram, convertible to Campagnolo and XD-R with optional driver bodies | |
| Front axle: 12x100 thru axle, easily convertible to quick release with included adapters. Not compatible with 15mm through axles. | |
| Front axle: 12x100 thru axle, easily convertible to quick release with included adapters. Not compatible with 15mm through axles. | |
| Front axle: 12x100 thru axle, easily convertible to quick release with included adapters. Not compatible with 15mm through axles. | |
| Rear axle: 12mm thru axle, convertible to Quick Release with included adapters | |
| Freilaufkörper: SRAM XD StraÄe-Konverter (Kit V2580101 separat erhältlich) | |
| Rear axle: 12mm thru axle, convertible to Quick Release with included adapters | |
| Rear axle: 12mm thru axle, convertible to Quick Release with included adapters | |
| Freilaufkörper: SHIMANO HG light StraÄe-Konverter (Kit V3850101 separat erhältlich) | |
| Freilaufkörper: SHIMANO MS-Konverter (Kit V3990101 separat erhältlich) | |
| Freilaufkörper: CAMPAGNOLO ED-Konverter (Kit V3440101 separat erhältlich) | |
| Front axle: 12x100 thru axle, easily convertible to quick release with included adapters. Not compatible with 15mm through axles. | |