

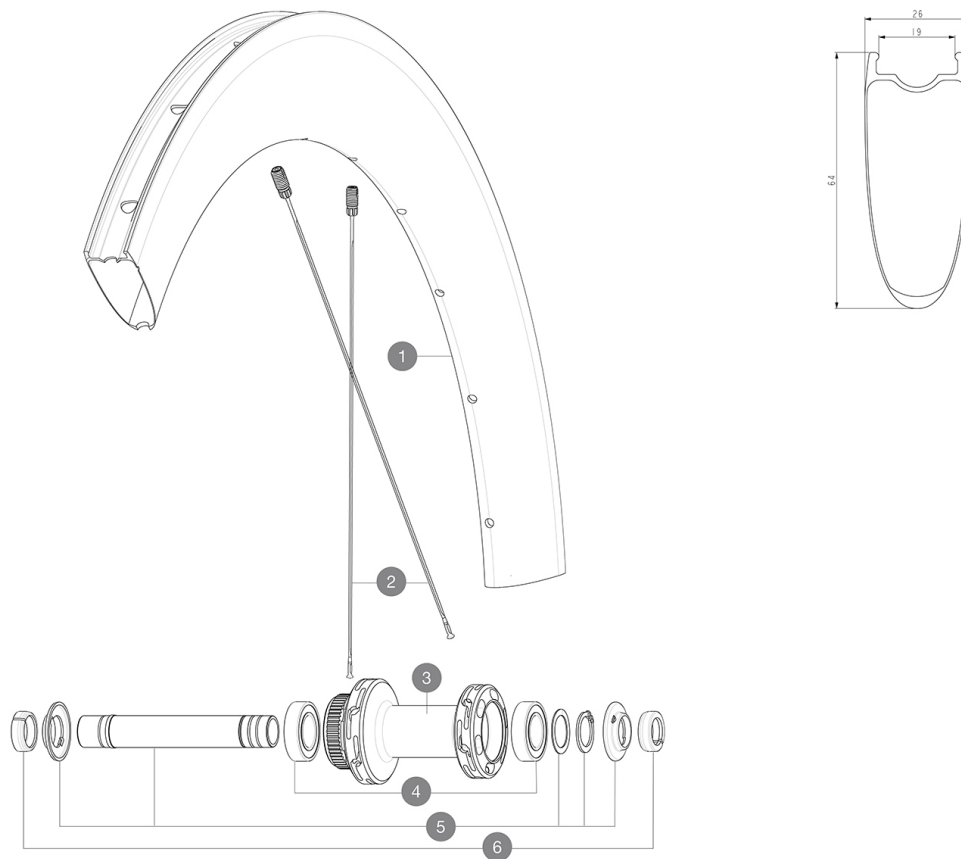
# MAVIC COSMIC SL 65 DISC

1  
2021  
FRONT

ASTM CATEGORY 2 : road and offroad with jumps less than 15cm  
Misura minima del pneumatico: larghezza 23 mm - pressione massima 6,75 Bar/97 PSI  
For a longer longevity of the wheel, Mavic recommends that the total weight supported by the wheels doesn't exceed 120kg, bike included  
Recommended tyre sizes: 25 to 32 mm  
Max. Pressure: see indication on wheel and tyre. If they differ, use the lowest of the 2  
Maximum tyre pressure: 6.75bar/97PSI with a 23mm tyre - 3.8bar/55PSI with a 62mm tyre  
Misura massima del pneumatico: larghezza 62 mm - pressione massima 3,8 Bar/55 PSI

## REFERENZE RUOTE

F90311 COS SL 65 CL 700 12X100



## RIMS



&NBSP;:

1	V4093115	Kit Front/Rear rim Cosmic SL 65 Disc
	V2620101	UST RIM TAPE 25mm (for 21-24mm wide rim)

## SPOKES

2	V4163301	Kit 12 Front/Rear Cosmic SL 65 Disc butted stainless spoke 2
---	----------	--

## HUB SHELLS

3	N/A	CORPO MOZZO
4	M40129	KIT 2 BEARINGS 6902 15x28x7
5	V2373301	KIT QRM AUTO FRONT AXLE 12mm > 2019

## ADAPTERS

6	V2680501	12mm Road Axle Cap QRM Auto
	V2680301	"Kit Ft Road Adapter 12 >> 9mm"

# MAVIC COSMIC SL 65 DISC

## VENDUTO CON

Sigillante per pneumatici Mavic (ruota posteriore) (355 466 01)	
Front QR adapters (996 941 01 for MTB or B41 043 01 for road)	
Front QR adapters (996 941 01 for MTB or B41 043 01 for road)	
Front QR adapters (996 941 01 for MTB or B41 043 01 for road)	
Front QR adapters (996 941 01 for MTB or B41 043 01 for road)	
Rear QR adapters for Instant Drive 360 (B49 894 01)	
Rear QR adapters for Instant Drive 360 (B49 894 01)	
Rear QR adapters for Instant Drive 360 (B49 894 01)	
Rear QR adapters for Instant Drive 360 (B49 894 01)	
Rear QR adapters for Instant Drive 360 (B49 894 01)	
UST valve and accessories (129 838 01)	
UST valve and accessories (129 838 01)	
UST valve and accessories (129 838 01)	
UST valve and accessories (129 838 01)	
Flap tubeless preinstallato	
Flap tubeless preinstallato	
Flap tubeless preinstallato	
User guide	
User guide	

## COMPATIBILITY

Freewheel: Shimano/Sram, convertible to Campagnolo and XD-R with optional driver bodies	
Freewheel: Shimano/Sram, convertible to Campagnolo and XD-R with optional driver bodies	
Freewheel: Shimano/Sram, convertible to Campagnolo and XD-R with optional driver bodies	
Front axle: 12x100 thru axle, easily convertible to quick release with included adapters. Not compatible with 15mm through axles.	
Front axle: 12x100 thru axle, easily convertible to quick release with included adapters. Not compatible with 15mm through axles.	
Front axle: 12x100 thru axle, easily convertible to quick release with included adapters. Not compatible with 15mm through axles.	
Rear axle: 12mm thru axle, convertible to Quick Release with included adapters	
Rear axle: 12mm thru axle, convertible to Quick Release with included adapters	
Rear axle: 12mm thru axle, convertible to Quick Release with included adapters	
Corpo ruota libera: convertibile SRAM XD strada (kit V2580101 venduto separatamente)	
Corpo ruota libera: convertibile SHIMANO HG light strada (kit V3850101 venduto separatamente)	
Corpo ruota libera: convertibile SHIMANO MS (kit V3990101 venduto separatamente)	
Corpo ruota libera: convertibile CAMPAGNOLO ED (kit V3440101 venduto separatamente)	
Front axle: 12x100 thru axle, easily convertible to quick release with included adapters. Not compatible with 15mm through axles.	
Perno posteriore: solo per i dadi di fissaggio (inclusi), filettatura M9x1	
Corpo ruota libera in lega ID360 Shimano Micro Spline body ([V3990101])	
Instant Drive 360 The new Instant Drive 360 freewheel system is super light and fast to engage with only 9Å°. A large contactless rubber seal provides low friction, while a wide array of end caps makes it super versatile.	
Corpo ruota libera FTS-L Shimano/Sram	