

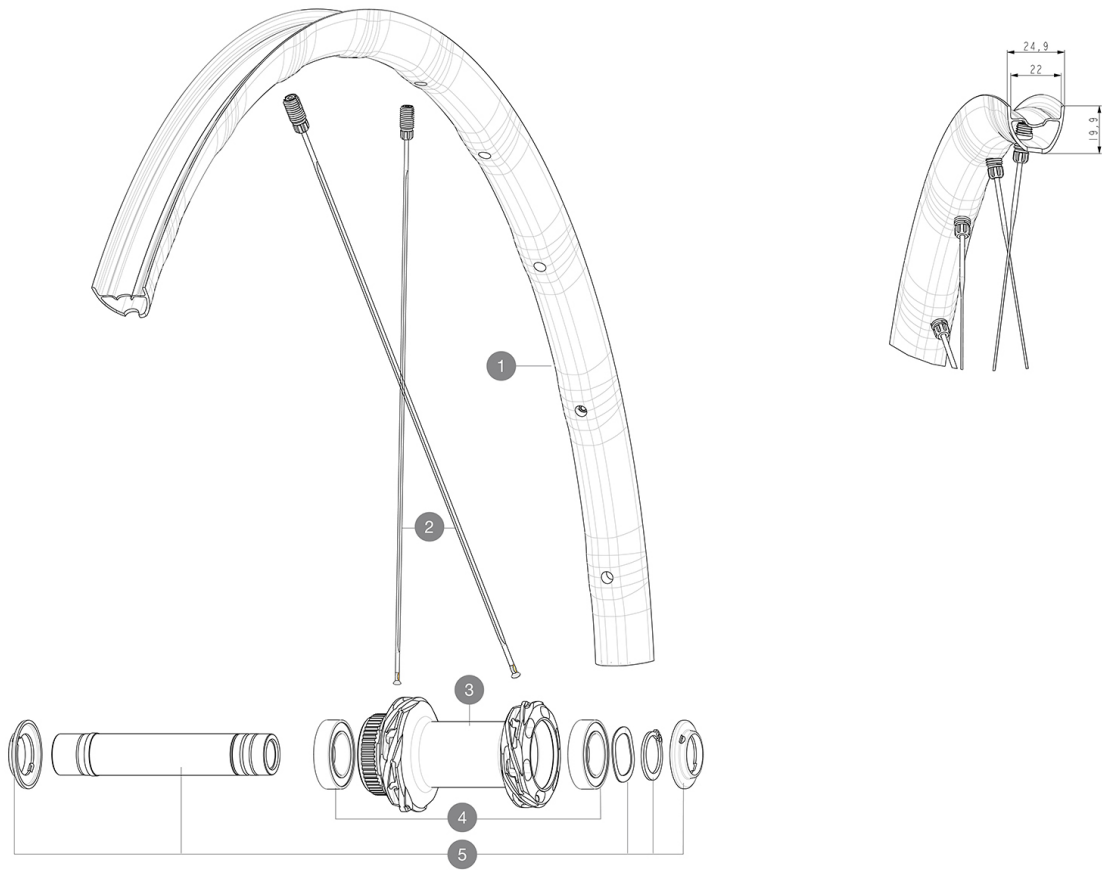
MAVIC ALLROAD SL DISC

1
2021
FRONT

ASTM CATEGORY 2 : road and offroad with jumps less than 15cm
For a longer longevity of the wheel, Mavic recommends that the total weight supported by the wheels doesn't exceed 120kg, bike included
Recommended tyre sizes: 28 to 64 mm (1.1" to 2.5")
Max. Pressure: see indication on wheel and tyre. If they differ, use the lowest of the 2
Maximum tyre pressure: 4.6bar/67PSI with a 28mm tyre - 32.7bar/39PSI with a 64mm tyre

REFERENZE RUOTE

F90331 ALL SL CL 700 12X100



RIMS



&NBSP;;

1	V4092015	Kit Front/Rear rim Allroad SL
---	----------	-------------------------------

SPOKES

2	V4162501	Kit 12 Front/Rear Allroad SL aero spoke 298 M7/7
---	----------	--

HUB SHELLS

3	N/A	CORPO MOZZO
4	V2500901	KIT BEARINGS 18x30x7 + WAVED WASHER + CLIP
5	V2374001	KIT 12x100mm FRONT AXLE DCL QRM AUTO ALLROAD > 2019

OPTIONS

V2373501 QRM Auto front axle 15mm for DCL Allroad wheels > 2019

ADAPTERS

V2680301 "Kit Ft Road Adapter 12 >> 9mm"

VENDUTO CON

UST valve and accessories (129 838 01)	
UST valve and accessories (129 838 01)	
UST valve and accessories (129 838 01)	
Chiave di regolazione multifunzione (fornita con le ruote posteriori) (325 423 01)	
User guide	
User guide	
User guide	

COMPATIBILITY

Freewheel: Shimano/Sram, convertible to Campagnolo and XD-R with optional driver bodies	
Freewheel: Shimano/Sram, convertible to Campagnolo and XD-R with optional driver bodies	
Freewheel: Shimano/Sram, convertible to Campagnolo and XD-R with optional driver bodies	
Perno anteriore: perno passante da 12 mm, facilmente convertibile in un sistema a bloccaggio rapido con adattatori opzionali. Convertibile in 15 mm co	
Perno anteriore: passante 12 mm, convertibile in sistema a bloccaggio rapido con adattatori. Convertibile in 15 mm con sostituzione completa del perno	
Perno anteriore: passante 12 mm, convertibile in sistema a bloccaggio rapido con adattatori. Convertibile in 15 mm con sostituzione completa del perno	
Rear axle: 12mm thru axle, convertible to Quick Release with optional adapters	
Rear axle: 12mm thru axle, convertible to Quick Release with optional adapters	
Rear axle: 12mm thru axle, convertible to Quick Release with optional adapters	

Specifications

CERCHIONI

- **Material** : Maxtal
 - **Height** : 22 mm
- Disc brake specific profile
- **Weight reduction** : ISM 4D
 - **Material** : Mxxtal
 - **Material** : Mxxtal
 - **Tire** : UST Tubeless and tubetype
 - **Height** : 22 mm
 - **Height** : 22 mm
 - **Internal width** : 22 mm
 - **ETRTO size** : 622x22TSS ROAD
- Hookless profile
- Disc brake specific profile
- Disc brake specific profile
- **Weight reduction** : ISM 4D
 - **Weight reduction** : ISM 4D
 - **Tire** : UST Tubeless and tubetype
 - **Tire** : UST Tubeless and tubetype
 - **Internal width** : 22 mm
 - **Internal width** : 22 mm
 - **ETRTO size** : 622x22TSS ROAD
 - **ETRTO size** : 622x22TSS ROAD

Hookless profile

Hookless profile

Fore

Fore

Fore

UST

UST

UST

SUP

SUP

SUP

SUP

RAGGI

MOZZO

- **Front and rear bodies** : aluminum
 - **Front and rear bodies** : aluminum
 - **Front and rear bodies** : aluminum
 - **Axle material** : aluminum
 - **Axle material** : aluminum
 - **Axle material** : aluminum
- Infinity Hub
- **Front** : Quick release, 12x100 and 15x100 through axle compatible
 - **Front** : Quick release, 12x100 and 15x100 through axle compatible
 - **Front** : Quick release, 12x100 and 15x100 through axle compatible
 - **Rear** : Quick Release, 12x142 and 12x135 compatible
 - **Rear** : Quick Release, 12x142 and 12x135 compatible
 - **Rear** : Quick Release, 12x142 and 12x135 compatible
- Infinity Hub
- Mozzo disponibile solo con rotori dei freni Center Lock
- Infinity Hub
- Instant Drive 360
- Instant Drive 360
- Instant Drive 360
- QRM Auto
- QRM Auto
- QRM Auto

VERSIONS

- **Disc standard** : Center Lock (R) only
- **Disc standard** : Center Lock (R) only
- **Disc standard** : Center Lock (R) only
- **Freewheel** : Shimano/Sram or XD-Road

PESI RUOTE

740