

## ASTM CATEGORY 3 : CROSS COUNTRY

Per una maggiore durata della ruota, Mavic raccomanda che il peso totale sostenuto dalle ruote della bici non superi i 150 kg, bici inclusa

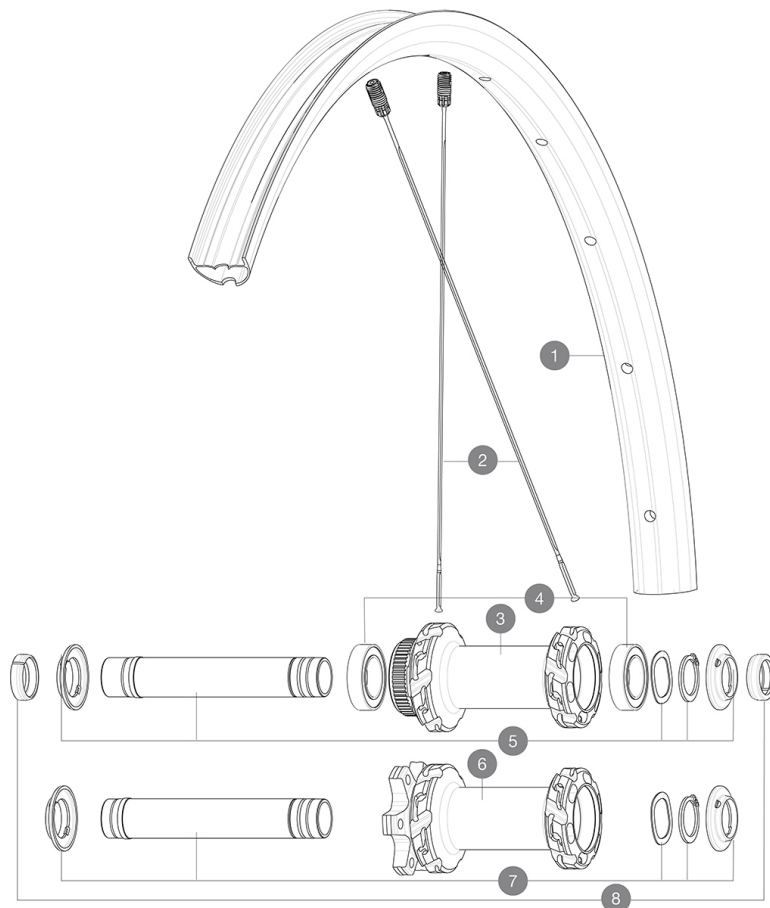
Recommended tyre sizes: 50mm to 76mm (2.0" to 3.0")

For a longer longevity of the wheel, Mavic recommends that the total weight supported by the wheels doesn't exceed 120kg, bike included

## REFERENZE RUOTE

F90452 CROSSMAX SL 29

F91952 CROSSMAX SL 29



## RIMS



&NBSP;:

1 V3765715 Kit Front/Rear rim Crossmax SL 21 29"

## SPOKES

2 V2388301 Kit 12 Front/Rear Crossmax SL/SLS/XL/XLS 29" butted spoke 2

## HUB SHELLS

3 N/A CORPO MOZZO  
4 V2500901 KIT BEARINGS 18x30x7 + WAVED WASHER + CLIP  
5 V2375601 Kit 110mm axle QRM auto MTB from 2019 DCL  
6 N/A CORPO MOZZO  
7 V2372401 KIT 110mm AXLE QRM AUTO MTB > 2019

## OPTIONS

V2374401 TORQUE CAPS 15\*31 Adapter MTB QRM Auto > 2019 Frt HUB

## ADAPTERS

8 V2372501 15mm MTB Axle Cap QRM Auto From 2019  
99694101 2 REDUCERS 15/9mm

## VENDUTO CON

2 replacement spokes with each wheel	
UST valve and accessories (129 838 01)	
UST valve and accessories (129 838 01)	
Multifunction adjustment wrench (delivered with rear wheel) (325 423 01)	
Multifunction adjustment wrench (delivered with rear wheel) (325 423 01)	
2 replacement spokes with each wheel	
Fore adjustment wrench	

## COMPATIBILITY

Freewheel: Shimano HG9, XD or Micro Spline	
Front axle: 15x110 Boost thru axle	
Rear axle: 12x148 Boost thru axle	
Freewheel: Shimano HG9, XD or Micro Spline	
Rear axle: 12x148 Boost thru axle	
Front axle: 15x110 Boost thru axle	

## Specifications

### CERCHIONI

- **Material** : Mxstal
- **Material** : S6000 Aluminum
- **Material** : Mxstal
- **Tire** : UST Tubeless and tubetype
- **Material** : S6000 Aluminum
- **Internal width** : 25 mm
- **ETRTO size 29"** : 622x25TSS

Hookless profile

Asymmetrical rim design

Black Shield treatment (protects your rim against impacts and scratches)

- **Tire** : UST Tubeless and tubetype
- **Internal width** : 25 mm
- **ETRTO size 29"** : 622x25TSS

Hookless profile

Black Shield treatment (protects your rim against impacts and scratches)

Asymmetrical rim design

Fore

Fore

SUP

SUP

### RAGGI

- **Material** : steel
- **Material** : steel
- **Shape** : straight pull, flat, double butted
- **Shape** : straight pull, flat, double butted
- **Nipples** : Fore integrated aluminum
- **Nipples** : Fore integrated aluminum
- **Count** : 24 front and rear
- **Count** : 24 front and rear
- **Lacing** : front and rear crossed 2, contactless
- **Lacing** : front and rear crossed 2, contactless

### MOZZO

Infinity Hub

• **Axles** : Front 15X110 Boost ; Rear 12X148 Boost  
Hub available with 6-bolt or center lock (R) brake rotors

Hub available with 6-bolt or center lock (R) brake rotors

• **Axles** : Front 15X110 Boost ; Rear 12X148 Boost  
Infinity Hub  
Instant Drive 360  
Instant Drive 360

### VERSIONS

- **Disc standard** : 6 Bolts or Center Lock (R)
- **Disc standard** : 6 Bolts or Center Lock (R)
- **Hub width** : Boost only (front 110, rear 148)
- **Hub width** : Boost only (front 110, rear 148)
- **Freewheel** : SRAM XD, Shimano HG9, Shimano Micro-Spline
- **Freewheel** : SRAM XD, Shimano HG9, Shimano Micro-Spline

### PESI RUOTE

785