

## ASTM CATEGORY 3 : CROSS COUNTRY

For a longer longevity of the wheel, Mavic recommends that the total weight supported by the wheels doesn't exceed 150kg, bike included

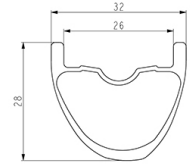
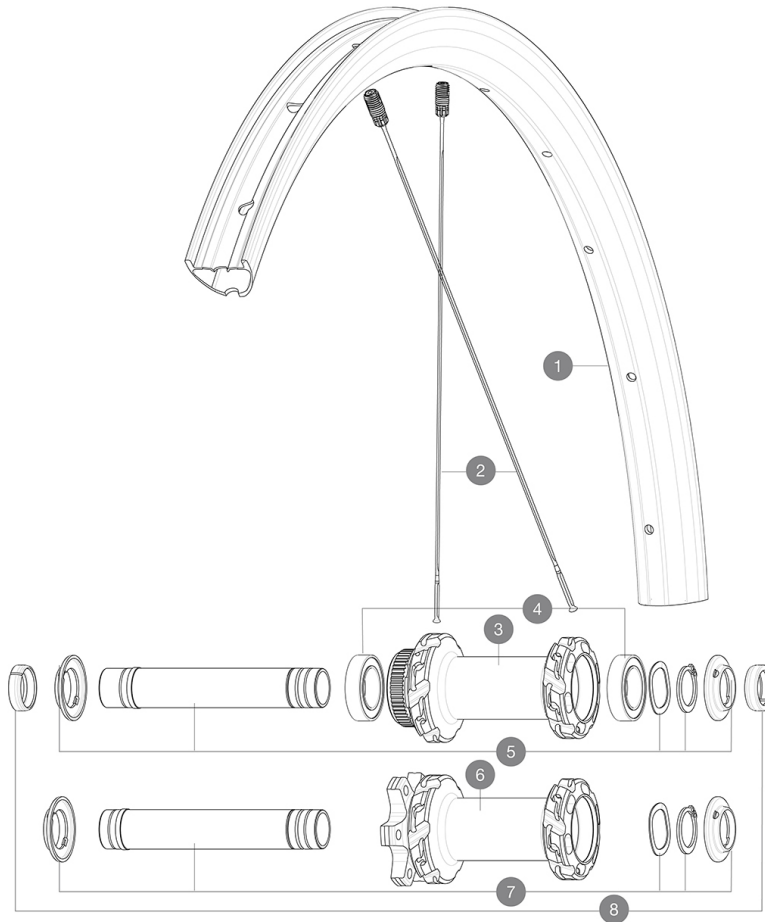
Recommended tyre sizes: 50mm to 76mm (2.0" to 3.0")

## REFERENCES WHEELS

F90432 Xmax Carbon SLR 29Ft Bst\*

F91762

Xmax Carbon SLR 29DCL Ft Bst\*



## RIMS



&amp;NBSP;:

|   |          |  |
|---|----------|--|
| 1 | V3765615 | Kit Front/Rear rim Crossmax Carbon SLR 29" -while stock la |
|   | V2700101 | UST Tape 28mm for 25 to 27mm wide rims                     |

## SPOKES

|   |          |   |
|---|----------|---|
| 2 | V2388201 | Kit 12 Front/Rear Crossmax Carbon SLR 29" flat spoke 289 +w |
|---|----------|---|

## HUB SHELLS

|   |          |  |
|---|----------|--|
| 3 | N/A      | HUB BODY                                   |
| 4 | V2500901 | KIT BEARINGS 18x30x7 + WAVED WASHER + CLIP |
| 5 | V2375601 | Kit 110mm axle QRM auto MTB from 2019 DCL  |
| 6 | N/A      | HUB BODY                                   |
| 7 | V2372401 | KIT 110mm AXLE QRM AUTO MTB > 2019         |

## OPTIONS

|          |   |
|----------|---|
| V2374401 | TORQUE CAPS 15*31 Adapter MTB QRM Auto > 2019 Frt HUB |
|----------|---|

## ADAPTERS

|   |          |                                      |
|---|----------|--------------------------------------|
| 8 | V2372501 | 15mm MTB Axle Cap QRM Auto From 2019 |
|   | 99694101 | ADAPTER Ft 15 to 9mm QR              |

**DELIVERED WITH**

|   |  |
|---|--|
| UST valve and accessories<br>(129 838 01)                                   |  |
| Pre-installed tubeless rim tape   |  |
| Multifonction adjustment wrench (delivered with rear wheel)<br>(325 423 01) |  |
| 2 replacement spokes with each wheel  |  |

**COMPATIBILITY**

|  |  |
|--|--|
| Freewheel: Shimano HG9, XD or Micro Spline |  |
| Rear axle: 12x148 Boost thru axle          |  |
| Front axle: 15x110 Boost thru axle         |  |

**Specifications****RIMS**

- **Material** : 100% carbon fiber
  - **Drilling** : traditional
  - **Internal width** : 26 mm
  - **ETRTO size 29"** : 622x26TSS
- Hookless profile  
Asymmetrical rim design  
UST Tubeless Ready

**SPOKES**

- **Material** : steel
- **Shape** : straight pull, flat, double butted
- **Nipples** : aluminum, ABS
- **Count** : 24 front and rear
- **Lacing** : front and rear crossed 2, contactless

**WHEEL HUB**

Hub available with 6-bolt or center lock (R) brake rotors

- **Axles** : Front 15X110 Boost ; Rear 12X148 Boost
- Infinity Hub  
24 teeth ratchet  
Instant Drive 360  
QRM Auto

**VERSIONS**

- **Disc standard** : 6 Bolts or Center Lock (R)
- **Hub width** : Boost only (front 110, rear 148)
- **Freewheel** : SRAM XD, Shimano HG9, Shimano Micro-Spline

**WHEEL WEIGHTS**

720