

## ASTM CATEGORY 3 : CROSS COUNTRY

For a longer longevity of the wheel, Mavic recommends that the total weight supported by the wheels doesn't exceed 150kg, bike included

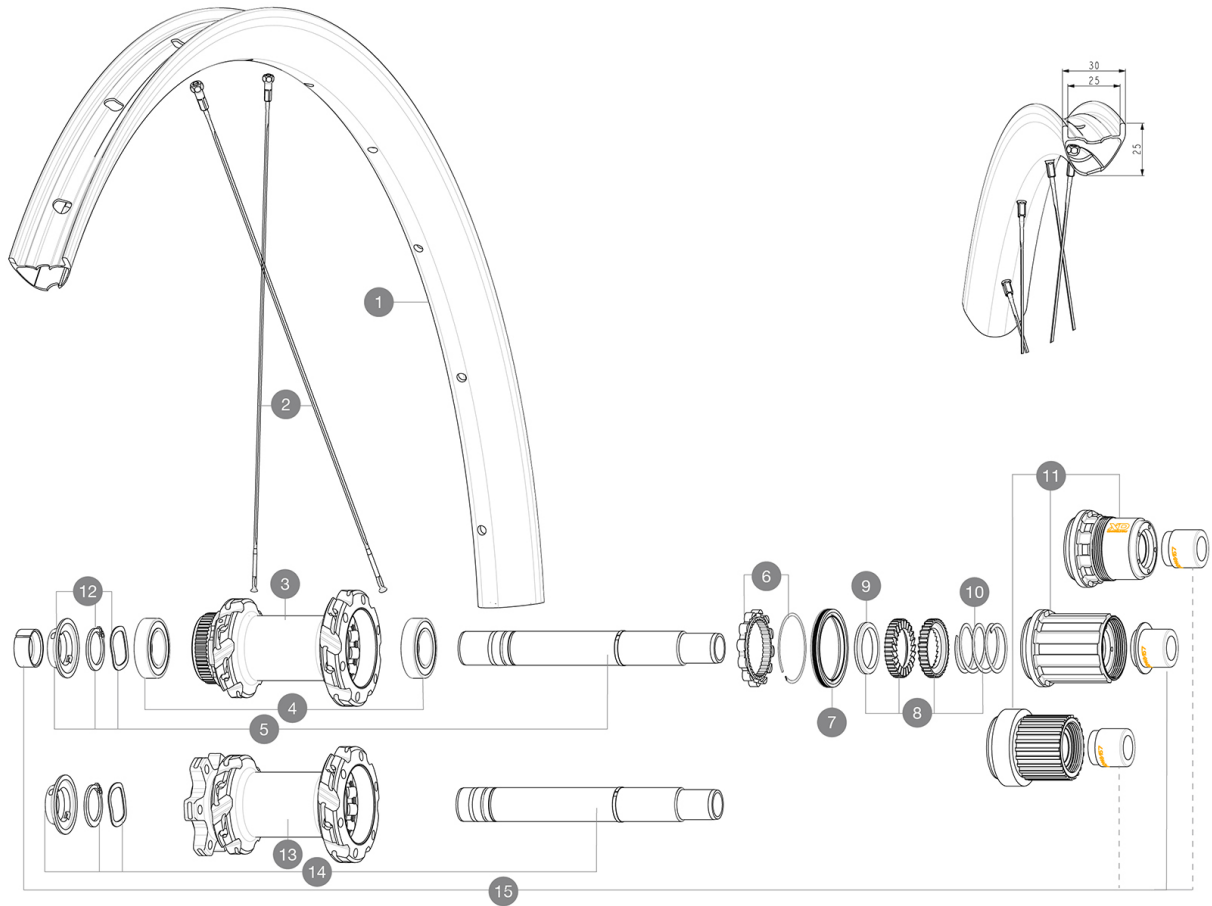
Recommended tyre sizes: 50mm to 76mm (2.0" to 3.0")

## REFERENZEN RÄDER

R37022 Xmax Carbon SLR 29 Rr Bst\*

R38732 Xmax Carb SLR 29DCLRr Bst MS\*

R37722 Xmax Carbon SLR 29 Rr Bst XD\*



## RIMS



&amp;NBSP;:

|   |                      |  |
|---|----------------------|--|
| 1 | V3765615<br>V2700101 | Kit Front/Rear rim Crossmax Carbon SLR 29" -while stock la<br>UST Tape 28mm for 25 to 27mm wide rims |
|---|----------------------|--|

## SPOKES

|   |          |   |
|---|----------|---|
| 2 | V2388201 | Kit 12 Front/Rear Crossmax Carbon SLR 29" flat spoke 289 +w |
|---|----------|---|

## HUB SHELLS

|    |           |  |
|----|-----------|--|
| 3  | N/A       | NABENKÖRPER  |
| 4  | M40076    | HUB BEARINGS 17x30x7 6903 x 2                              |
| 5  | V2375701  | Kit ID360 148 DCL axle with circlip                        |
| 6  | V2252701  | KIT ID360 INSERT SHAPED EAR LOBE > 2017                    |
| 7  | V00063631 | Kit ID360 seal version 2 (larger)                          |
| 8  | V2375201  | KIT ID360 24 TEETH 2 RATCHET + MTB SPRING + PAD (specific) |
| 9  | V2375401  | KIT ID360 MTB 24T 3 NOISE REDUCING PADS                    |
| 10 | V2372901  | KIT 3 ID360 MTB SPRINGS                                    |
| 11 | V3740101  | XD MTB Freewheel Body ID360                                |
| 11 | V3990101  | MicroSpline MTB Freewheel Body ID360                       |
| 11 | V3780101  | HG9 Alloy MTB Freewheel Body ID360                         |
| 12 | V2373001  | KIT ADJUST. SYSTEM QRM AUTO ID360 for 17x30x7 bearing      |
| 13 | N/A       | NABENKÖRPER  |
| 14 | V2372201  | KIT ID360 148 D6T AXLE WITH CLIP                           |

## OPTIONS

|   |          |   |
|---|----------|---|
| 8 | V2372801 | KIT ID360 2x40 TEETH RATCHETS + MTB SPRING + GREASE + PAD |
|---|----------|---|

## ADAPTERS

|    |                      |   |
|----|----------------------|---|
| 15 | V2510701<br>V2510801 | ID360 EVO REAR AXLE ADAPTERS 12x142mm DCL & D6T<br>ID360 EVO REAR AXLE ADAPTERS 9x135mm DCL & D6T |
|----|----------------------|---|

**GELIEFERT MIT**

|   |  |
|---|--|
| UST valve and accessories<br>(129 838 01)                                   |  |
| Pre-installed tubeless rim tape   |  |
| Multifonction adjustment wrench (delivered with rear wheel)<br>(325 423 01) |  |
| 2 replacement spokes with each wheel  |  |

**COMPATIBILITY**

|  |  |
|--|--|
| Front axle: 15x110 Boost thru axle         |  |
| Freewheel: Shimano HG9, XD or Micro Spline |  |
| Rear axle: 12x148 Boost thru axle          |  |

**Specifications****FELGEN**

- **Material** : 100% carbon fiber
  - **Drilling** : traditional
  - **Internal width** : 26 mm
  - **ETRTO size 29"** : 622x26TSS
- Hookless profile  
Asymmetrical rim design  
UST Tubeless Ready

**SPEICHEN**

- **Material** : steel
- **Shape** : straight pull, flat, double butted
- **Nipples** : aluminum, ABS
- **Count** : 24 front and rear
- **Lacing** : front and rear crossed 2, contactless

**RADNABE**

Hub available with 6-bolt or center lock (R) brake rotors

- **Axles** : Front 15X110 Boost ; Rear 12X148 Boost
- Infinity Hub  
24 teeth ratchet  
Instant Drive 360  
QRM Auto

**VERSIONS**

- **Disc standard** : 6 Bolts or Center Lock (R)
- **Hub width** : Boost only (front 110, rear 148)
- **Freewheel** : SRAM XD, Shimano HG9, Shimano Micro-Spline

**RADGEWICHTE**

850