

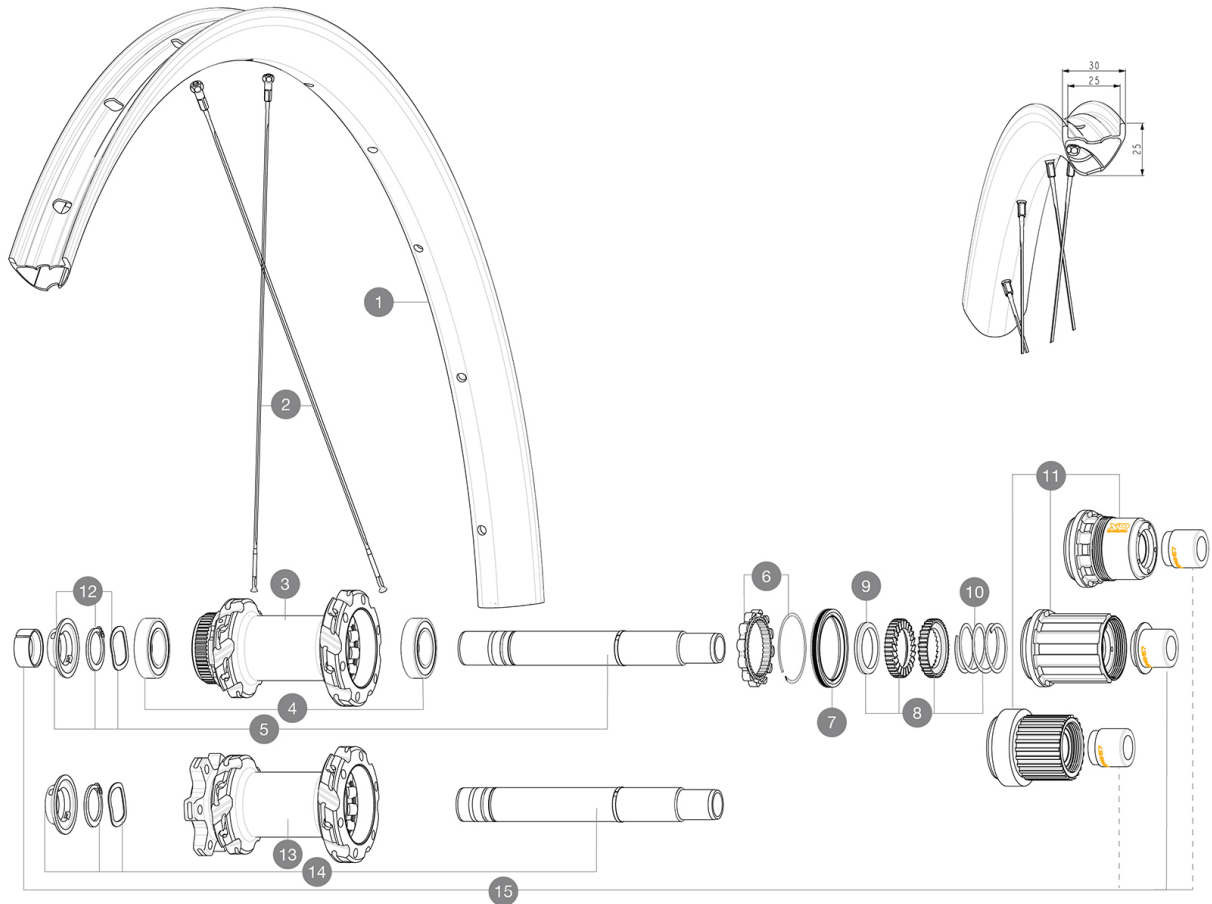
## ASTM CATEGORY 3 : CROSS COUNTRY

For a longer longevity of the wheel, Mavic recommends that the total weight supported by the wheels doesn't exceed 150kg, bike included

Recommended tyre sizes: 50mm to 76mm (2.0" to 3.0")

## REFERENCES WHEELS

R37022	Xmax Carbon SLR 29 Rr Bst*	R38732	Xmax Carb SLR 29DCLRr Bst MS*
R37722	Xmax Carbon SLR 29 Rr Bst XD*		



## RIMS



&amp;NBSP;:

1	V3765615	Kit Front/Rear rim Crossmax Carbon SLR 29'' -while stock la
	V2700101	UST Tape 28mm for 25 to 27mm wide rims

## SPOKES

2	V2388201	Kit 12 Front/Rear Crossmax Carbon SLR 29'' flat spoke 289 +w
---	----------	--

## HUB SHELLS

3	N/A	HUB BODY
4	M40076	HUB BEARINGS 17x30x7 6903 x 2
5	V2375701	Kit ID360 148 DCL axle with circlip
6	V2252701	KIT ID360 INSERT SHAPED EAR LOBE > 2017
7	V00063631	Kit ID360 seal version 2 (larger)
8	V2375201	KIT ID360 24 TEETH 2 RATCHET + MTB SPRING + PAD (specific)
9	V2375401	KIT ID360 MTB 24T 3 NOISE REDUCING PADS
10	V2372901	KIT 3 ID360 MTB SPRINGS
11	V3990101	MicroSpline MTB Freewheel Body ID360
11	V3780101	HG9 Alloy MTB Freewheel Body ID360
11	V3740101	XD MTB Freewheel Body ID360
12	V2373001	KIT ADJUST. SYSTEM QRM AUTO ID360 for 17x30x7 bearing
13	N/A	HUB BODY
14	V2372201	KIT ID360 148 D6T AXLE WITH CLIP

## OPTIONS

8	V2372801	KIT ID360 2x40 TEETH RATCHETS + MTB SPRING + GREASE + PAD
---	----------	---

## ADAPTERS

15	V2510701	ID360V2RrAxleAdapt12x142/148
	V2510801	ID360 V2 RrAxleAdapt9x135

## DELIVERED WITH

UST valve and accessories (129 838 01)	
Pre-installed tubeless rim tape	
Multifonction adjustment wrench (delivered with rear wheel) (325 423 01)	
2 replacement spokes with each wheel	

## COMPATIBILITY

Freewheel: Shimano HG9, XD or Micro Spline	
Rear axle: 12x148 Boost thru axle	
Front axle: 15x110 Boost thru axle	

## Specifications

### RIMS

- **Material** : 100% carbon fiber
  - **Drilling** : traditional
  - **Internal width** : 26 mm
  - **ETRTO size 29"** : 622x26TSS
- Hookless profile  
Asymmetrical rim design  
UST Tubeless Ready

### SPOKES

- **Material** : steel
- **Shape** : straight pull, flat, double butted
- **Nipples** : aluminum, ABS
- **Count** : 24 front and rear
- **Lacing** : front and rear crossed 2, contactless

### WHEEL HUB

Hub available with 6-bolt or center lock (R) brake rotors

- **Axles** : Front 15X110 Boost ; Rear 12X148 Boost

Infinity Hub  
24 teeth ratchet  
Instant Drive 360  
QRM Auto

### VERSIONS

- **Disc standard** : 6 Bolts or Center Lock (R)
- **Hub width** : Boost only (front 110, rear 148)
- **Freewheel** : SRAM XD, Shimano HG9, Shimano Micro-Spline

### WHEEL WEIGHTS

850