

## ASTM CATEGORY 3 : CROSS COUNTRY

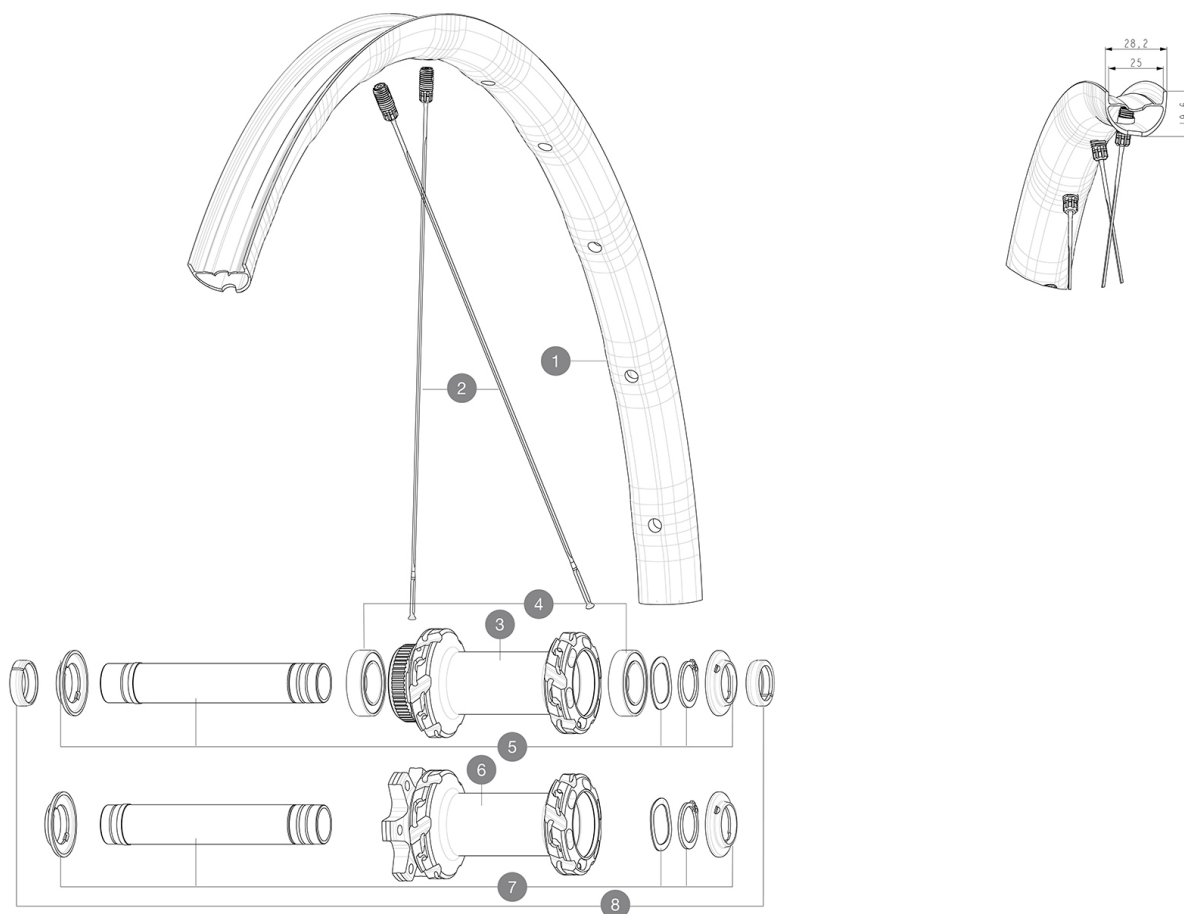
For a longer longevity of the wheel, Mavic recommends that the total weight supported by the wheels doesn't exceed 120kg, bike included

Recommended tyre sizes: 50mm to 76mm (2.0" to 3.0")

## REFERENCES WHEELS

F90443 CROSSMAX SL S 29

F91963 CROSSMAX SL S 29



## RIMS



&NBSP;:

1 V3765815 Kit Front/Rear rim Crossmax SLS 29"

## SPOKES

2 V2388301 Kit 12 Front/Rear Crossmax SL/SLS/XL/XLS 29" butted spoke 2

## HUB SHELLS

|   |          |  |
|---|----------|--|
| 3 | N/A      | HUB BODY                                   |
| 4 | V2500901 | KIT BEARINGS 18x30x7 + WAVED WASHER + CLIP |
| 5 | V2375601 | Kit 110mm axle QRM auto MTB from 2019 DCL  |
| 6 | N/A      | HUB BODY                                   |
| 7 | V2372401 | KIT 110mm AXLE QRM AUTO MTB > 2019         |

## OPTIONS

V2374401 TORQUE CAPS 15\*31 Adapter MTB QRM Auto > 2019 Frt HUB

## ADAPTERS

|   |          |                                      |
|---|----------|--------------------------------------|
| 8 | V2372501 | 15mm MTB Axle Cap QRM Auto From 2019 |
|   | 99694101 | ADAPTER Ft 15 to 9mm QR              |

**DELIVERED WITH**

|   |  |
|---|--|
| UST valve and accessories<br>(129 838 01)                                   |  |
| Multifunction adjustment wrench (delivered with rear wheel)<br>(325 423 01) |  |
| 2 replacement spokes with each wheel  |  |
| Fore adjustment wrench  |  |

**COMPATIBILITY**

|  |  |
|--|--|
| Front axle: 15x110 Boost thru axle         |  |
| Freewheel: Shimano HG9, XD or Micro Spline |  |
| Rear axle: 12x148 Boost thru axle          |  |

**Specifications****RIMS**

- **Material** : Mactal
- **Material** : S6000 Aluminum
- **Weight reduction** : ISM 4D
- **Tire** : UST Tubeless and tubetype
- **Internal width** : 25 mm
- **ETRTO size 29"** : 622x25TSS

Hookless profile

Black Shield treatment (protects your rim against impacts and scratches)

Asymmetrical rim design

Fore

SUP

**SPOKES**

- **Material** : steel
- **Shape** : straight pull, flat, double butted
- **Nipples** : Fore integrated aluminum
- **Count** : 24 front and rear
- **Lacing** : front and rear crossed 2, contactless

**WHEEL HUB**

- **Axles** : Front 15X110 Boost ; Rear 12X148 Boost Infinity Hub

Hub available with 6-bolt or center lock (R) brake rotors

Instant Drive 360

**VERSIONS**

- **Disc standard** : 6 Bolts or Center Lock (R)
- **Hub width** : Boost only (front 110, rear 148)
- **Freewheel** : SRAM XD, Shimano HG9, Shimano Micro-Spline

**WHEEL WEIGHTS**

735