

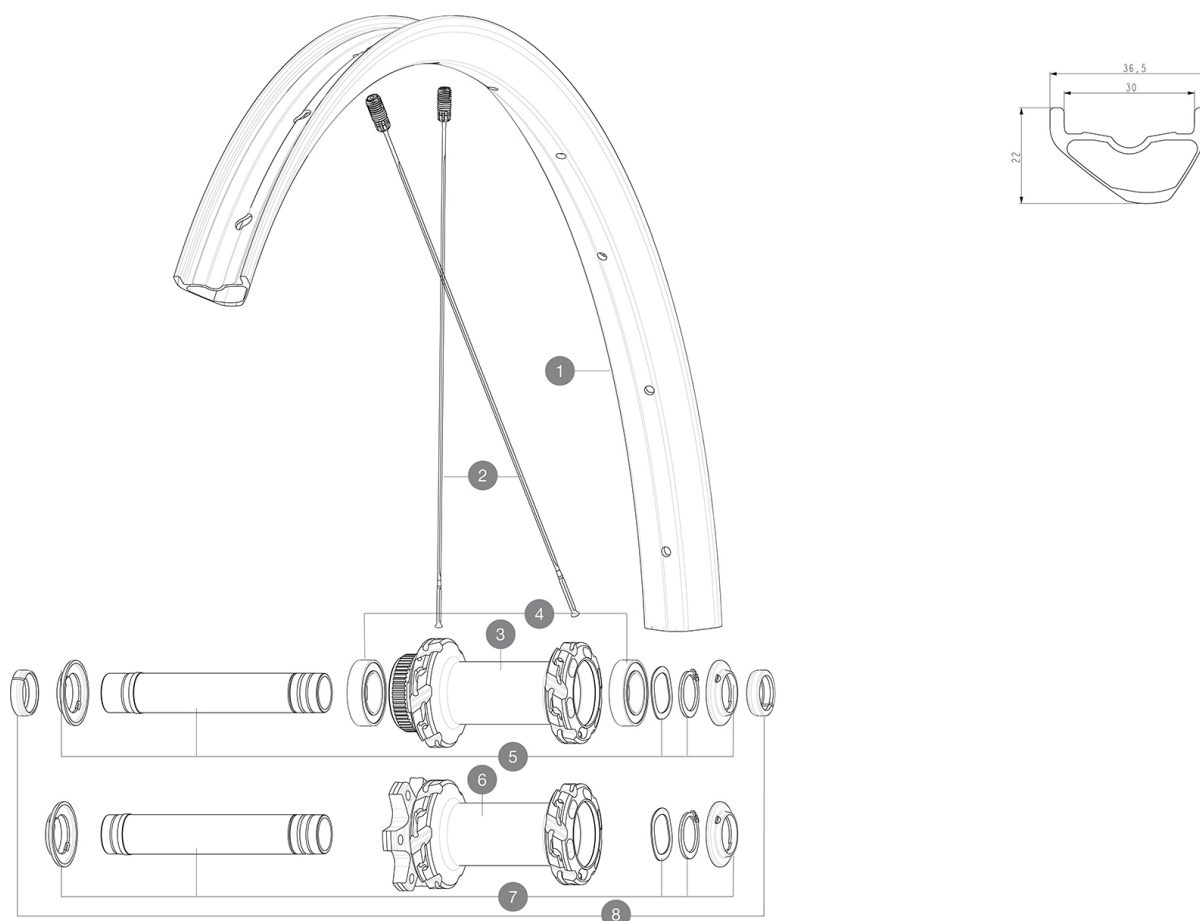
ASTM CATEGORY 4 : ENDURO AND TRAIL RIDING

For a longer longevity of the wheel, Mavic recommends that the total weight supported by the wheels doesn't exceed 120kg, bike included

Recommended tyre sizes: 60mm to 76mm (2.35" to 3.0")

REFERENCES WHEELS

F90462 Crossmax Carbon XLR 29 FIBst* F91782 Crossmax Carbon XLR29DCLFIBst*



RIMS



&NBSP;:

1	V3765515	Kit Front/Rear rim Crossmax Carbon XLR 29"
	V3750101	35mm UST Green Tape for 30mm wide rims

SPOKES

2	V2381401	KIT 12 FT/RR BUTTED SPOKES 296mm MTB 29"
---	----------	--

HUB SHELLS

3	N/A	HUB BODY
4	V2500901	KIT BEARINGS 18x30x7 + WAVED WASHER + CLIP
5	V2375601	Kit 110mm axle QRM auto MTB from 2019 DCL
6	N/A	HUB BODY
7	V2372401	KIT 110mm AXLE QRM AUTO MTB > 2019

OPTIONS

V2374401 TORQUE CAPS 15*31 Adapter MTB QRM Auto > 2019 Frt HUB

ADAPTERS

8 V2372501 15mm MTB Axle Cap QRM Auto From 2019
99694101 ADAPTER Ft 15 to 9mm QR

DELIVERED WITH

UST valve and accessories (129 838 01)	
Pre-installed tubeless rim tape	
Multifonction adjustment wrench (delivered with rear wheel) (325 423 01)	
2 replacement spokes with each wheel	

COMPATIBILITY

Freewheel: Shimano HG9, XD or Micro Spline	
Rear axle: 12x148 Boost thru axle	
Front axle: 15x110 Boost thru axle	

Specifications**RIMS**

- **Material** : 100% carbon fiber
 - **Drilling** : traditional
 - **Internal width** : 30 mm
- Hookless profile
- **ETRTO size 29"** : 622x30TSS
- Asymmetrical rim design
UST Tubeless Ready

SPOKES

- **Material** : steel
- **Shape** : straight pull, flat, double butted
- **Nipples** : steel, ABS
- **Count** : 24 front and rear
- **Lacing** : front and rear crossed 2, contactless

WHEEL HUB

Hub available with 6-bolt or center lock (R) brake rotors

- **Axles** : Front 15X110 Boost ; Rear 12X148 Boost
- Infinity Hub
Instant Drive 360
QRM Auto

VERSIONS

- **Disc standard** : 6 Bolts or Center Lock (R)
- **Hub width** : Boost only (front 110, rear 148)
- **Freewheel** : SRAM XD, Shimano HG9, Shimano Micro-Spline
- **Diameter** : 27,5" and 29"

WHEEL WEIGHTS

740