

**MAVIC** **Crossmax Carbon XL R 29**

ASTM CATEGORY 4 : ENDURO AND TRAIL RIDING

For a longer longevity of the wheel, Mavic recommends that the total weight supported by the wheels doesn't exceed 120kg, bike included

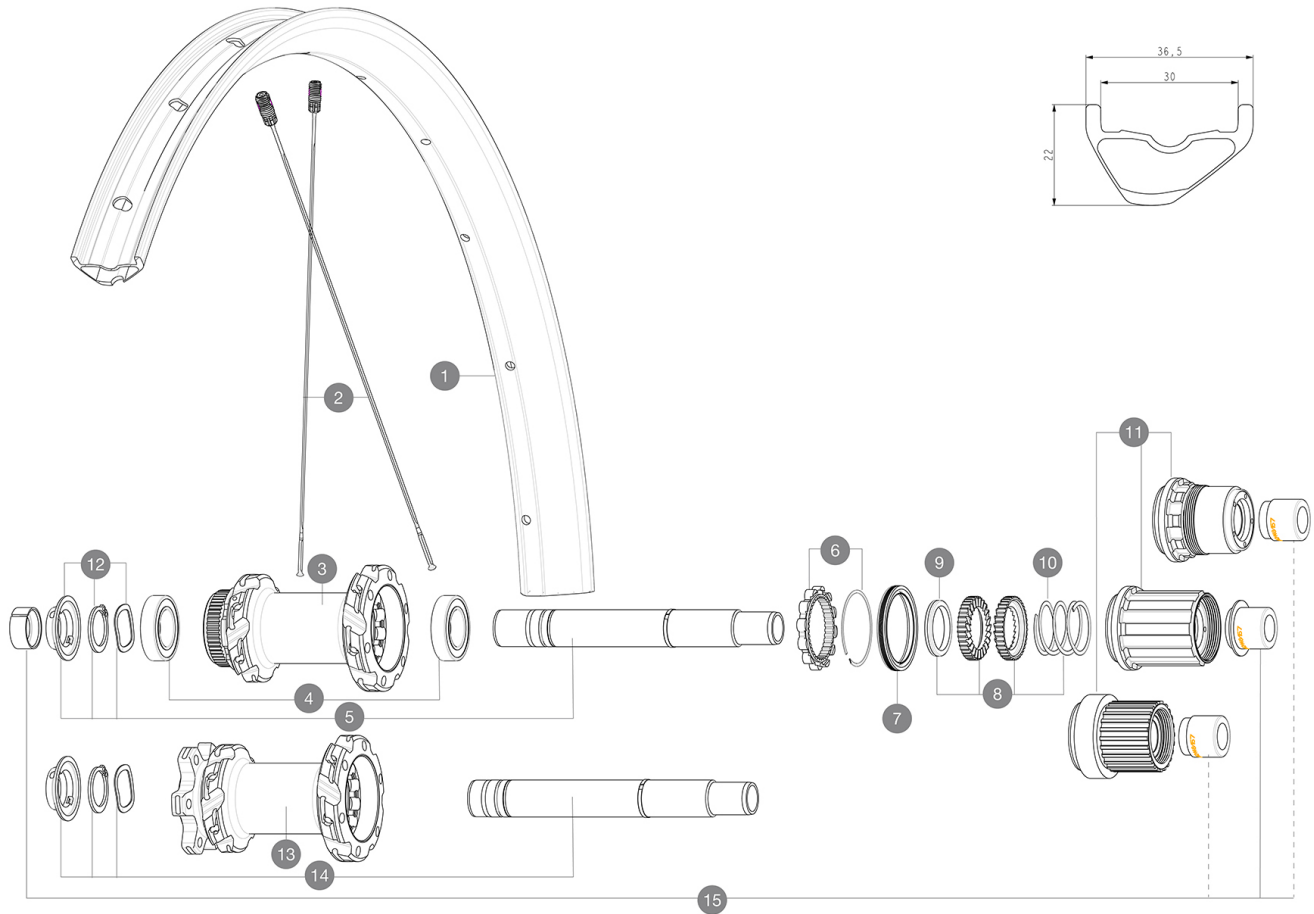
Recommended tyre sizes: 60mm to 76mm (2.35" to 3.0")

**REFERENCES WHEELS**

R37052 Crossmax Carbon XLR 29 RrBst\*

R38752 Xmax Carb XLR 29DCLRr Bst MS\*

R37752 Crossmax Carb XLR 29Rr Bst XD\*

**RIMS**

&amp;NBSP;:

<b>1</b>	V3765515	Kit Front/Rear rim Crossmax Carbon XLR 29"
	V3750101	35mm UST Green Tape for 30mm wide rims

**SPOKES**

<b>2</b>	V2381401	KIT 12 FT/RR BUTTED SPOKES 296mm MTB 29"
----------	----------	--

**HUB SHELLS**

<b>3</b>	N/A	HUB BODY
<b>4</b>	M40076	HUB BEARINGS 17x30x7 6903 x 2
<b>5</b>	V2375701	Kit ID360 148 DCL axle with circlip
<b>6</b>	V2252701	KIT ID360 INSERT SHAPED EAR LOBE > 2017
<b>7</b>	V2251601	KIT ID360 SEAL + GREASE
<b>8</b>	V2375201	KIT ID360 24 TEETH 2 RATCHET + MTB SPRING + PAD (specific)
<b>9</b>	V2375401	KIT ID360 MTB 24T 3 NOISE REDUCING PADS
<b>10</b>	V2372901	KIT 3 ID360 MTB SPRINGS
<b>11</b>	V3990101	MicroSpline MTB Freewheel Body ID360
<b>11</b>	V3780101	HG9 Alloy MTB Freewheel Body ID360
<b>11</b>	V3740101	XD MTB Freewheel Body ID360
<b>12</b>	V2373001	KIT ADJUST. SYSTEM QRM AUTO ID360 for 17x30x7 bearing
<b>13</b>	N/A	HUB BODY
<b>14</b>	V2372201	KIT ID360 148 D6T AXLE WITH CLIP

**OPTIONS**

<b>8</b>	V2372801	KIT ID360 2x40 TEETH RATCHETS + MTB SPRING + GREASE + PAD
----------	----------	---

**ADAPTERS**

<b>15</b>	V2510701	ID360V2RrAxleAdapt12x142/148
	V2510801	ID360 V2 RrAxleAdapt9x135

# MAVIC Crossmax Carbon XL R 29

## DELIVERED WITH

UST valve and accessories (129 838 01)	
Pre-installed tubeless rim tape	
Multifonction adjustment wrench (delivered with rear wheel) (325 423 01)	
2 replacement spokes with each wheel	

## COMPATIBILITY

Rear axle: 12x148 Boost thru axle	
Front axle: 15x110 Boost thru axle	
Freewheel: Shimano HG9, XD or Micro Spline	

## Specifications

### RIMS

- **Material** : 100% carbon fiber
  - **Drilling** : traditional
  - **Internal width** : 30 mm
- Hookless profile
- **ETRTO size 29"** : 622x30TSS
- Asymmetrical rim design  
UST Tubeless Ready

### SPOKES

- **Material** : steel
- **Shape** : straight pull, flat, double butted
- **Nipples** : steel, ABS
- **Count** : 24 front and rear
- **Lacing** : front and rear crossed 2, contactless

### WHEEL HUB

Hub available with 6-bolt or center lock (R) brake rotors

- **Axles** : Front 15X110 Boost ; Rear 12X148 Boost
- Infinity Hub  
Instant Drive 360  
QRM Auto

### VERSIONS

- **Disc standard** : 6 Bolts or Center Lock (R)
- **Hub width** : Boost only (front 110, rear 148)
- **Freewheel** : SRAM XD, Shimano HG9, Shimano Micro-Spline
- **Diameter** : 27,5" and 29"

### WHEEL WEIGHTS

870