

ASTM CATEGORY 4 : ENDURO AND TRAIL RIDING

Um eine längere Lebensdauer der Laufräder zu erzielen, empfiehlt Mavic als Obergrenze $\frac{1}{4}$ das

Gesamtgewicht von Fahrer, Ausrüstung und Fahrrad: 15

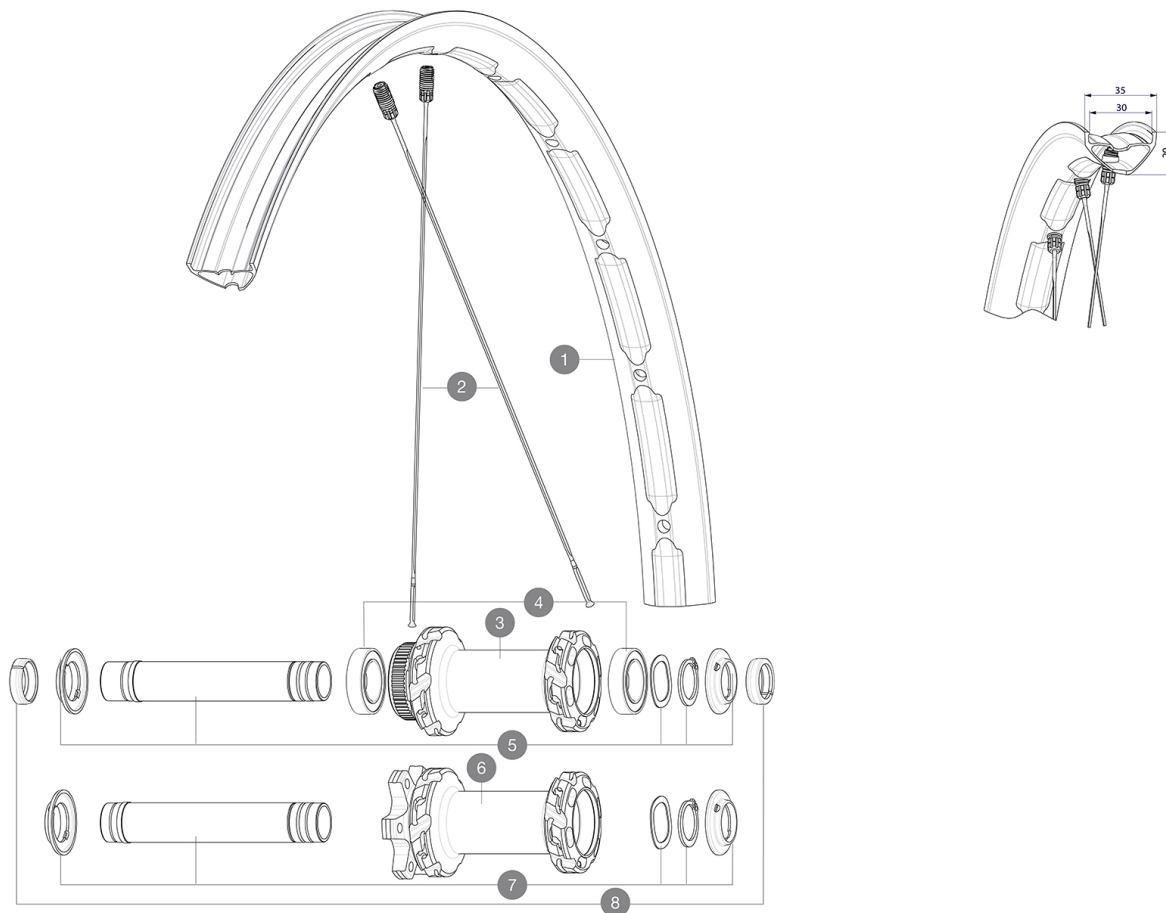
Recommended tyre sizes: 60mm to 76mm (2.35" to 3.0")

For a longer longevity of the wheel, Mavic recommends that the total weight supported by the wheels doesn't exceed 120kg, bike included

REFERENZEN RÄDER

F90493 CROSSMAX XL S 29

F91972 CROSSMAX XL S 29



RIMS



&NBSP;:

1 V3765915 Kit Front/Rear rim Crossmax XLS 29"

SPOKES

2 V2388301 Kit 12 Front/Rear Crossmax SL/SLS/XL/XLS 29" butted spoke 2

HUB SHELLS

3 N/A NABENKÖRPER
4 V2500901 KIT BEARINGS 18x30x7 + WAVED WASHER + CLIP
5 V2375601 Kit 110mm axle QRM auto MTB from 2019 DCL
6 N/A NABENKÖRPER
7 V2372401 KIT 110mm AXLE QRM AUTO MTB > 2019

OPTIONS

V2374401 TORQUE CAPS 15*31 Adapter MTB QRM Auto > 2019 Frt HUB

ADAPTERS

8 V2372501 15mm MTB Axle Cap QRM Auto From 2019
99694101 2 REDUCERS 15/9mm

GELIEFERT MIT

2 replacement spokes with each wheel	
UST valve and accessories (129 838 01)	
UST valve and accessories (129 838 01)	
Multifunction adjustment wrench (delivered with rear wheel) (325 423 01)	
Multifunction adjustment wrench (delivered with rear wheel) (325 423 01)	
2 replacement spokes with each wheel	
Fore adjustment wrench	

COMPATIBILITY

Freewheel: Shimano HG9, XD or Micro Spline	
Front axle: 15x110 Boost thru axle	
Rear axle: 12x148 Boost thru axle	
Freewheel: Shimano HG9, XD or Micro Spline	
Rear axle: 12x148 Boost thru axle	
Front axle: 15x110 Boost thru axle	

Specifications

FELGEN

- **Material** : Mactal
 - **Material** : S6000 Aluminum
 - **Weight reduction** : ISM
 - **Material** : Mactal
 - **Tire** : UST Tubeless and tubetype
 - **Material** : S6000 Aluminum
 - **Internal width** : 30 mm
 - **ETRTO size 29"** : 622x30TC
- Asymmetrical rim design
Black Shield treatment (protects your rim against impacts and scratches)
- **Weight reduction** : ISM
 - **Tire** : UST Tubeless and tubetype
 - **Internal width** : 30 mm
- Black Shield treatment (protects your rim against impacts and scratches)
- **ETRTO size 29"** : 622x30TC
- Asymmetrical rim design
Fore
Fore
SUP
SUP

SPEICHEN

- **Material** : steel
- **Material** : steel
- **Nipples** : Fore integrated aluminum
- **Nipples** : Fore integrated aluminum
- **Count** : 24 front and rear
- **Count** : 24 front and rear
- **Lacing** : front and rear crossed 2, contactless
- **Lacing** : front and rear crossed 2, contactless

RADNABE

- Infinity Hub
• **Axles** : Front 15X110 Boost ; Rear 12X148 Boost
Hub available with 6-bolt or center lock (R) brake rotors
- Infinity Hub
Hub available with 6-bolt or center lock (R) brake rotors
- **Axles** : Front 15X110 Boost ; Rear 12X148 Boost
- Instant Drive 360
Instant Drive 360
QRM Auto
QRM Auto

VERSIONS

- **Disc standard** : 6 Bolts or Center Lock (R)
- **Disc standard** : 6 Bolts or Center Lock (R)
- **Hub width** : Boost only (front 110, rear 148)
- **Hub width** : Boost only (front 110, rear 148)
- **Freewheel** : SRAM XD, Shimano HG9, Shimano Micro-Spline
- **Freewheel** : SRAM XD, Shimano HG9, Shimano Micro-Spline

RADGEWICHTE

830