

ASTM CATEGORY 4 : ENDURO AND TRAIL RIDING

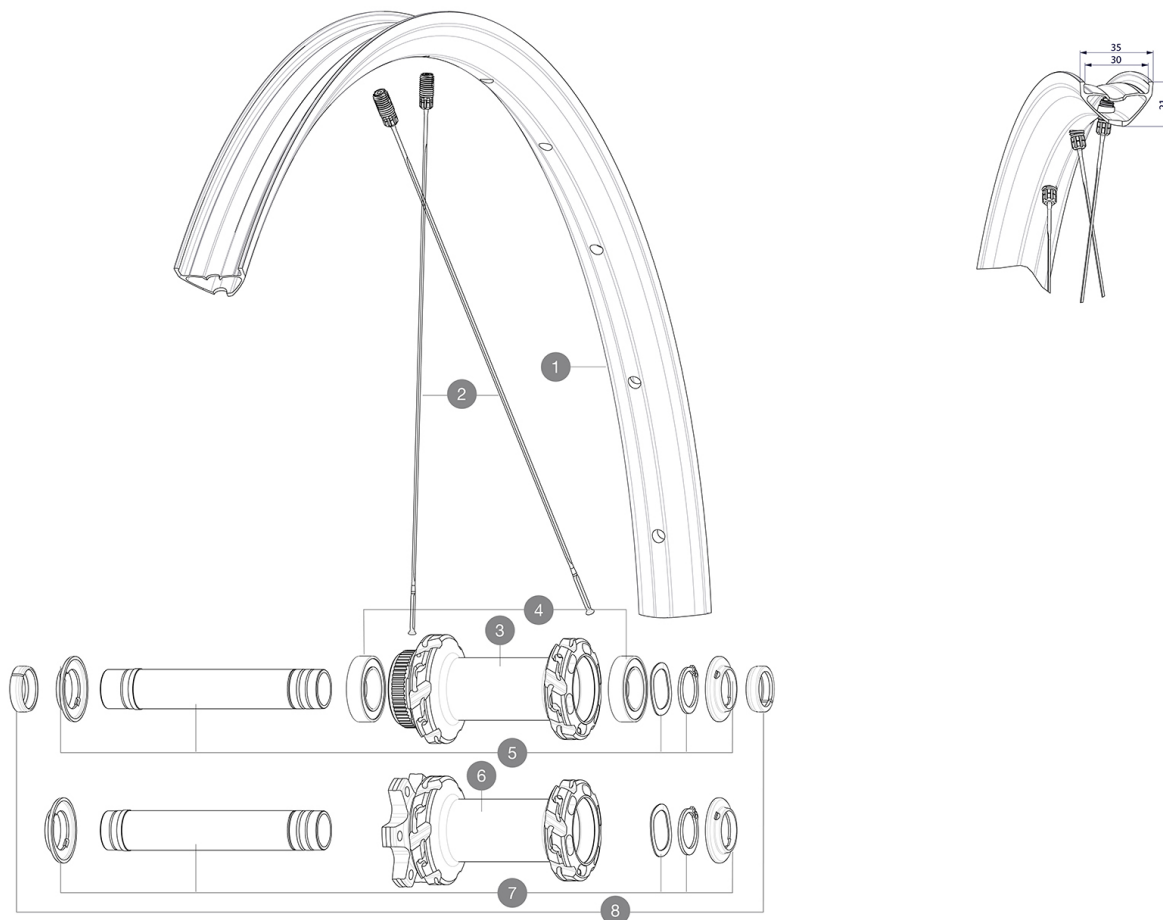
For a longer longevity of the wheel, Mavic recommends that the total weight supported by the wheels doesn't exceed 120kg, bike included

Recommended tyre sizes: 60mm to 76mm (2.35" to 3.0")

REFERENCES WHEELS

F90512 CROSSMAX XL 29

F91982 CROSSMAX XL 29



RIMS



&NBSP;:

| | | |
|---|----------|---|
| 1 | V3766015 | Kit Front/Rear rim Crossmax XL 29" MY21 |
|---|----------|---|

SPOKES

| | | |
|---|----------|---|
| 2 | V2388301 | Kit 12 Front/Rear Crossmax SL/SLS/XL/XLS 29" butted spoke 2 |
|---|----------|---|

HUB SHELLS

| | | |
|---|----------|--|
| 3 | N/A | HUB BODY |
| 4 | V2500901 | KIT BEARINGS 18x30x7 + WAVED WASHER + CLIP |
| 5 | V2375601 | Kit 110mm axle QRM auto MTB from 2019 DCL |
| 6 | N/A | HUB BODY |
| 7 | V2372401 | KIT 110mm AXLE QRM AUTO MTB > 2019 |

OPTIONS

| | |
|----------|---|
| V2374401 | TORQUE CAPS 15*31 Adapter MTB QRM Auto > 2019 Frt HUB |
|----------|---|

ADAPTERS

| | | |
|---|----------|--------------------------------------|
| 8 | V2372501 | 15mm MTB Axle Cap QRM Auto From 2019 |
| | 99694101 | ADAPTER Ft 15 to 9mm QR |

DELIVERED WITH

| | |
|---|--|
| UST valve and accessories (129 838 01) | |
| Multifonction adjustment wrench (delivered with rear wheel) (325 423 01) | |
| 2 replacement spokes with each wheel | |
| Fore adjustment wrench | |

COMPATIBILITY

| | |
|--|--|
| Freewheel: Shimano HG9, XD or Micro Spline | |
| Rear axle: 12x148 Boost thru axle | |
| Front axle: 15x110 Boost thru axle | |

Specifications**RIMS**

- **Material** : Mactal
 - **Material** : S6000 Aluminum
 - **Tire** : UST Tubeless and tubetype
 - **Internal width** : 30 mm
- Black Shield treatment (protects your rim against impacts and scratches)
- **ETRTO size 29"** : 622x30TC
- Asymmetrical rim design
- **ETRTO size 27.5"** : 584x30TC
- Fore
SUP

SPOKES

- **Material** : steel
- **Shape** : straight pull, flat, double butted
- **Nipples** : Fore integrated aluminum
- **Count** : 24 front and rear
- **Lacing** : front radial, rear crossed 2, contactless
- **Lacing** : front and rear crossed 2, contactless

WHEEL HUB

Hub available with 6-bolt or center lock (R) brake rotors

- **Axles** : Front 15X110 Boost ; Rear 12X148 Boost
- Infinity Hub
Instant Drive 360

VERSIONS

- **Disc standard** : 6 Bolts or Center Lock (R)
- **Hub width** : Boost only (front 110, rear 148)
- **Freewheel** : SRAM XD, Shimano HG9, Shimano Micro-Spline

WHEEL WEIGHTS

Weight Front 27.5" : 850
Weight Front 29" : 900