

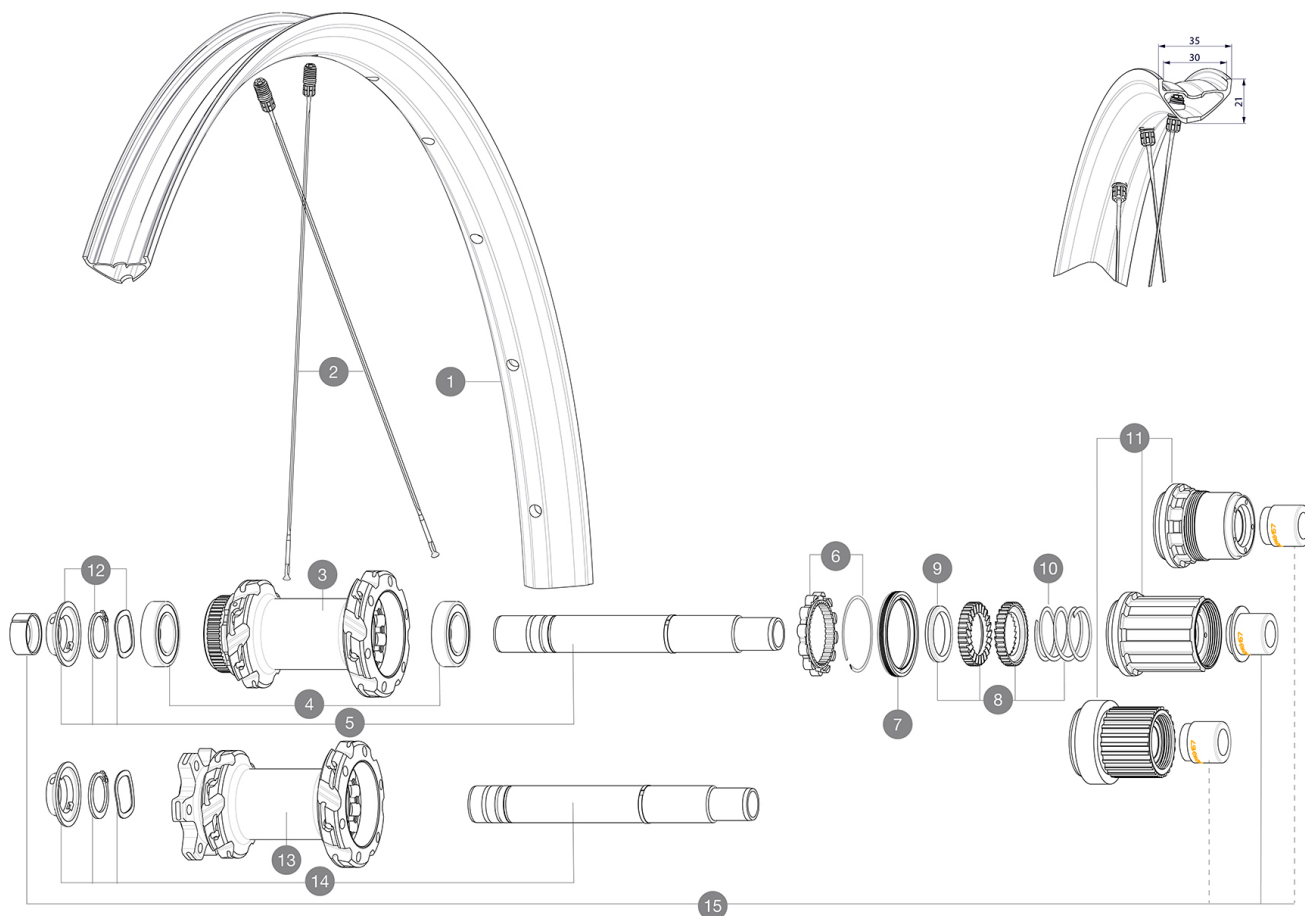
ASTM CATEGORY 4 : ENDURO AND TRAIL RIDING

For a longer longevity of the wheel, Mavic recommends that the total weight supported by the wheels doesn't exceed 120kg, bike included

Recommended tyre sizes: 60mm to 76mm (2.35" to 3.0")

REFERENCES WHEELS

R37112	CROSSMAX XL 29	R39182	CROSSMAX XL 29
R37792	CROSSMAX XL 29		



RIMS



&NBSP;:

1	V3766015	Kit Front/Rear rim Crossmax XL 29" MY21
---	----------	---

SPOKES

2	V2388301	Kit 12 Front/Rear Crossmax SL/SLS/XL/XLS 29" butted spoke 2
---	----------	---

HUB SHELLS

3	N/A	HUB BODY
4	M40076	HUB BEARINGS 17x30x7 6903 x 2
5	V2375701	Kit ID360 148 DCL axle with circlip
6	V2252701	KIT ID360 INSERT SHAPED EAR LOBE > 2017
7	V2251601	KIT ID360 SEAL + GREASE
8	V2375201	KIT ID360 24 TEETH 2 RATCHET + MTB SPRING + PAD (specific)
9	V2375401	KIT ID360 MTB 24T 3 NOISE REDUCING PADS
10	V2372901	KIT 3 ID360 MTB SPRINGS
11	V3990101	MicroSpline MTB Freewheel Body ID360
11	V3780101	HG9 Alloy MTB Freewheel Body ID360
11	V3740101	XD MTB Freewheel Body ID360
12	V2373001	KIT ADJUST. SYSTEM QRM AUTO ID360 for 17x30x7 bearing
13	N/A	HUB BODY
14	V2372201	KIT ID360 148 D6T AXLE WITH CLIP

OPTIONS

V2372801	KIT ID360 2x40 TEETH RATCHETS + MTB SPRING + GREASE + PAD
----------	---

ADAPTERS

15	V2510701	ID360V2RrAxleAdapt12x142/148
	V2510801	ID360 V2 RrAxleAdapt9x135

DELIVERED WITH

UST valve and accessories (129 838 01)	
Multifonction adjustment wrench (delivered with rear wheel) (325 423 01)	
2 replacement spokes with each wheel	
Fore adjustment wrench	

COMPATIBILITY

Freewheel: Shimano HG9, XD or Micro Spline	
Rear axle: 12x148 Boost thru axle	
Front axle: 15x110 Boost thru axle	

Specifications
RIMS

- **Material** : Mxstal
 - **Material** : S6000 Aluminum
 - **Tire** : UST Tubeless and tubetype
 - **Internal width** : 30 mm
- Asymmetrical rim design
- **ETRTO size 27.5"** : 584x30TC
- Black Shield treatment (protects your rim against impacts and scratches)
- **ETRTO size 29"** : 622x30TC
- Fore
SUP

SPOKES

- **Material** : steel
- **Shape** : straight pull, flat, double butted
- **Nipples** : Fore integrated aluminum
- **Count** : 24 front and rear
- **Lacing** : front radial, rear crossed 2, contactless
- **Lacing** : front and rear crossed 2, contactless

WHEEL HUB

Hub available with 6-bolt or center lock (R) brake rotors

- **Axles** : Front 15X110 Boost ; Rear 12X148 Boost
- Infinity Hub
Instant Drive 360

VERSIONS

- **Disc standard** : 6 Bolts or Center Lock (R)
- **Hub width** : Boost only (front 110, rear 148)
- **Freewheel** : SRAM XD, Shimano HG9, Shimano Micro-Spline

WHEEL WEIGHTS

1030