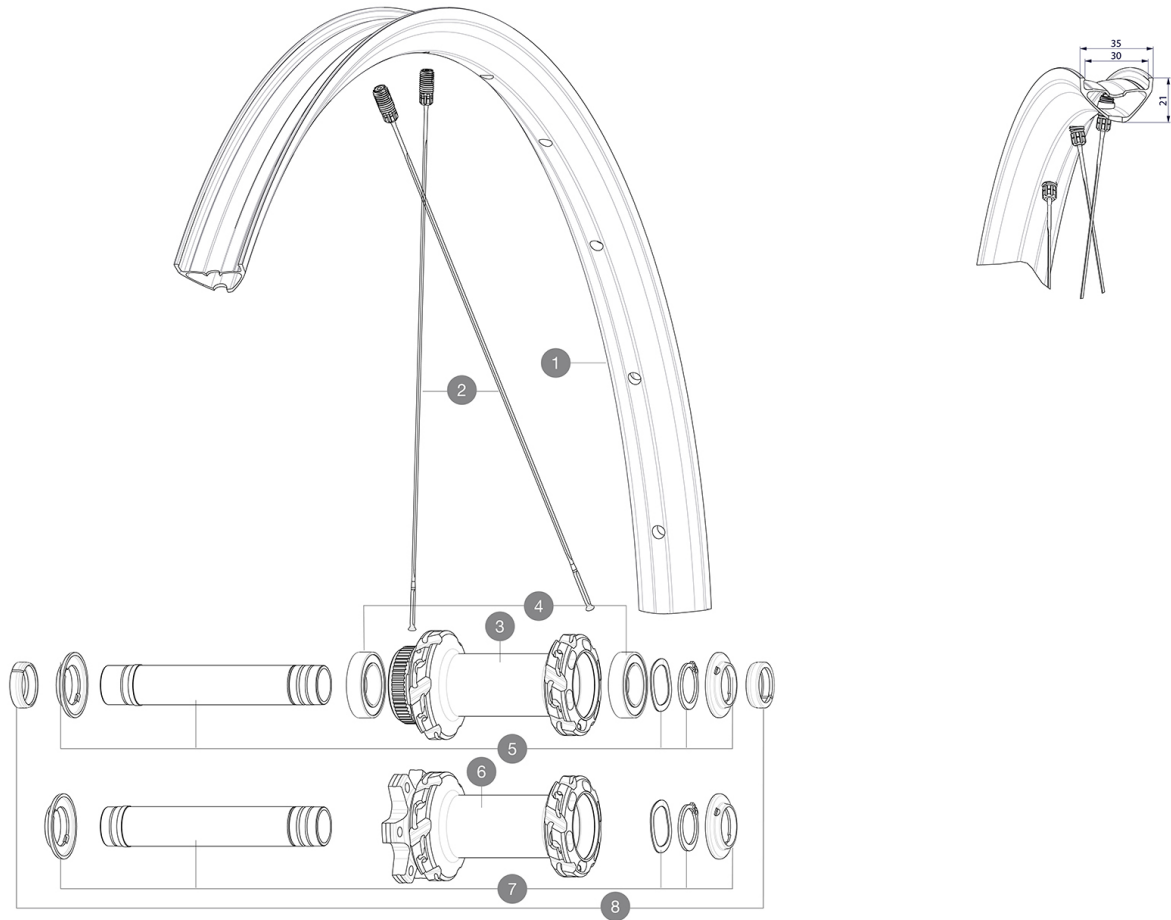


**ASTM CATEGORY 4 : ENDURO AND TRAIL RIDING**

For a longer longevity of the wheel, Mavic recommends that the total weight supported by the wheels doesn't exceed 120kg, bike included  
Recommended tyre sizes: 60mm to 76mm (2.35" to 3.0")

**REFERENZE RUOTE**

F90522	Crossmax XL 27,5 Ft Bst*	F91992	Crossmax XL 27,5 DCL Ft Bst*
--------	--------------------------	--------	------------------------------



**RIMS**



&NBSP;:

1	V3766115	Kit Front/Rear rim Crossmax XL 27,5" MY21
---	----------	---

**SPOKES**

2	V2388401	Kit 12 Front/Rear Crossmax XL 27,5" butted spoke 279 M7/7 M
---	----------	---

**HUB SHELLS**

3	N/A	CORPO MOZZO
4	V2500901	KIT BEARINGS 18x30x7 + WAVED WASHER + CLIP
5	V2375601	Kit 110mm axle QRM auto MTB from 2019 DCL
6	N/A	CORPO MOZZO
7	V2372401	KIT 110mm AXLE QRM AUTO MTB > 2019

**OPTIONS**

V2374401	TORQUE CAPS 15*31 Adapter MTB QRM Auto > 2019 Frt HUB
----------	---

**ADAPTERS**

8	V2372501	15mm MTB Axle Cap QRM Auto From 2019
	99694101	2 REDUCERS 15/9mm

**VENDUTO CON**

UST valve and accessories (129 838 01)	
Multifonction adjustment wrench (delivered with rear wheel) (325 423 01)	
2 replacement spokes with each wheel	
Fore adjustment wrench	

**COMPATIBILITY**

Freewheel: Shimano HG9, XD or Micro Spline	
Rear axle: 12x148 Boost thru axle	
Front axle: 15x110 Boost thru axle	

**Specifications****CERCHIONI**

- **Material** : Mactal
- **Material** : S6000 Aluminum
- **Tire** : UST Tubeless and tubetype
- **Internal width** : 30 mm

Black Shield treatment (protects your rim against impacts and scratches)

- **ETRTO size 29"** : 622x30TC

Asymmetrical rim design

- **ETRTO size 27.5"** : 584x30TC

Fore  
SUP

**RAGGI**

- **Material** : steel
- **Shape** : straight pull, flat, double butted
- **Count** : 24 front and rear
- **Lacing** : front and rear crossed 2, contactless

**MOZZO**

Hub available with 6-bolt or center lock (R) brake rotors

Infinity Hub  
Instant Drive 360

**VERSIONS**

- **Disc standard** : 6 Bolts or Center Lock (R)
- **Hub width** : Boost only (front 110, rear 148)
- **Freewheel** : SRAM XD, Shimano HG9, Shimano Micro-Spline
- **Diameter** : 27,5" and 29"

**PESI RUOTE**

Weight Front 27.5": 850  
Weight Front 29": 900