

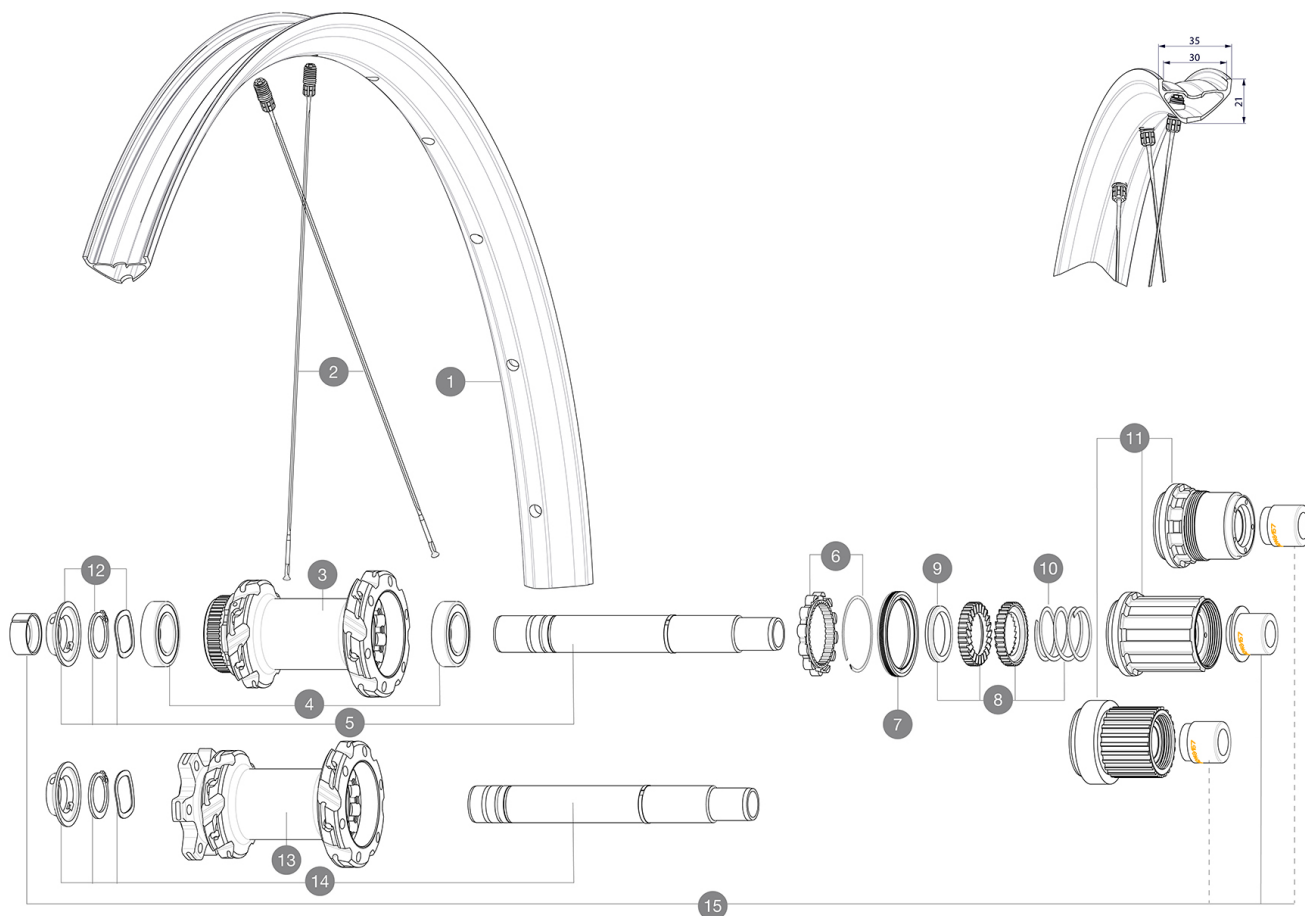
ASTM CATEGORY 4 : ENDURO AND TRAIL RIDING

For a longer longevity of the wheel, Mavic recommends that the total weight supported by the wheels doesn't exceed 120kg, bike included

Recommended tyre sizes: 60mm to 76mm (2.35" to 3.0")

REFERENZEN RÄDER

| | | | |
|--------|-----------------------------|--------|--------------------------------|
| R37122 | Crossmax XL 27,5 Rr Bst* | R39212 | Crossmax XL 27,5 DCL Rr BstMS* |
| R37812 | Crossmax XL 27,5 Rr Bst XD* | | |



RIMS



&NBSP;:

| | | |
|---|----------|---|
| 1 | V3766115 | Kit Front/Rear rim Crossmax XL 27,5" MY21 |
|---|----------|---|

SPOKES

| | | |
|---|----------|---|
| 2 | V2388401 | Kit 12 Front/Rear Crossmax XL 27,5" butted spoke 279 M7/7 M |
|---|----------|---|

HUB SHELLS

| | | |
|----|-----------|--|
| 3 | N/A | NABENKÖRPER |
| 4 | M40076 | HUB BEARINGS 17x30x7 6903 x 2 |
| 5 | V2375701 | Kit ID360 148 DCL axle with circlip |
| 6 | V2252701 | KIT ID360 INSERT SHAPED EAR LOBE > 2017 |
| 7 | V00063631 | Kit ID360 seal version 2 (larger) |
| 8 | V2375201 | KIT ID360 24 TEETH 2 RATCHET + MTB SPRING + PAD (specific) |
| 9 | V2375401 | KIT ID360 MTB 24T 3 NOISE REDUCING PADS |
| 10 | V2372901 | KIT 3 ID360 MTB SPRINGS |
| 11 | V3990101 | MicroSpline MTB Freewheel Body ID360 |
| 11 | V3780101 | HG9 Alloy MTB Freewheel Body ID360 |
| 11 | V3740101 | XD MTB Freewheel Body ID360 |
| 12 | V2373001 | KIT ADJUST. SYSTEM QRM AUTO ID360 for 17x30x7 bearing |
| 13 | N/A | NABENKÖRPER |
| 14 | V2372201 | KIT ID360 148 D6T AXLE WITH CLIP |

OPTIONS

| | | |
|---|----------|---|
| 8 | V2372801 | KIT ID360 2x40 TEETH RATCHETS + MTB SPRING + GREASE + PAD |
|---|----------|---|

ADAPTERS

| | | |
|----|----------|---|
| 15 | V2510701 | ID360 EVO REAR AXLE ADAPTERS 12x142mm DCL & D6T |
| | V2510801 | ID360 EVO REAR AXLE ADAPTERS 9x135mm DCL & D6T |

MAVIC Crossmax XL 27

2021
REAR

GELIEFERT MIT

| | |
|---|--|
| UST valve and accessories (129 838 01) | |
| Multifunction adjustment wrench (delivered with rear wheel) (325 423 01) | |
| 2 replacement spokes with each wheel | |
| Fore adjustment wrench | |

COMPATIBILITY

| | |
|--|--|
| Freewheel: Shimano HG9, XD or Micro Spline | |
| Rear axle: 12x148 Boost thru axle | |
| Front axle: 15x110 Boost thru axle | |

Specifications

FELGEN

- **Material** : Mactal
- **Material** : S6000 Aluminum
- **Tire** : UST Tubeless and tubetype
- **Internal width** : 30 mm
- **ETRTO size 29"** : 622x30TC

Asymmetrical rim design

- **ETRTO size 27.5"** : 584x30TC

Black Shield treatment (protects your rim against impacts and scratches)

Fore
SUP

SPEICHEN

- **Material** : steel
- **Shape** : straight pull, flat, double butted
- **Count** : 24 front and rear
- **Lacing** : front and rear crossed 2, contactless

RADNABE

Hub available with 6-bolt or center lock (R) brake rotors

Infinity Hub
Instant Drive 360

VERSIONS

- **Disc standard** : 6 Bolts or Center Lock (R)
- **Hub width** : Boost only (front 110, rear 148)
- **Freewheel** : SRAM XD, Shimano HG9, Shimano Micro-Spline
- **Diameter** : 27,5" and 29"

RADGEWICHTE

Weight Rear 27.5": 980
Weight Rear 29": 1030