

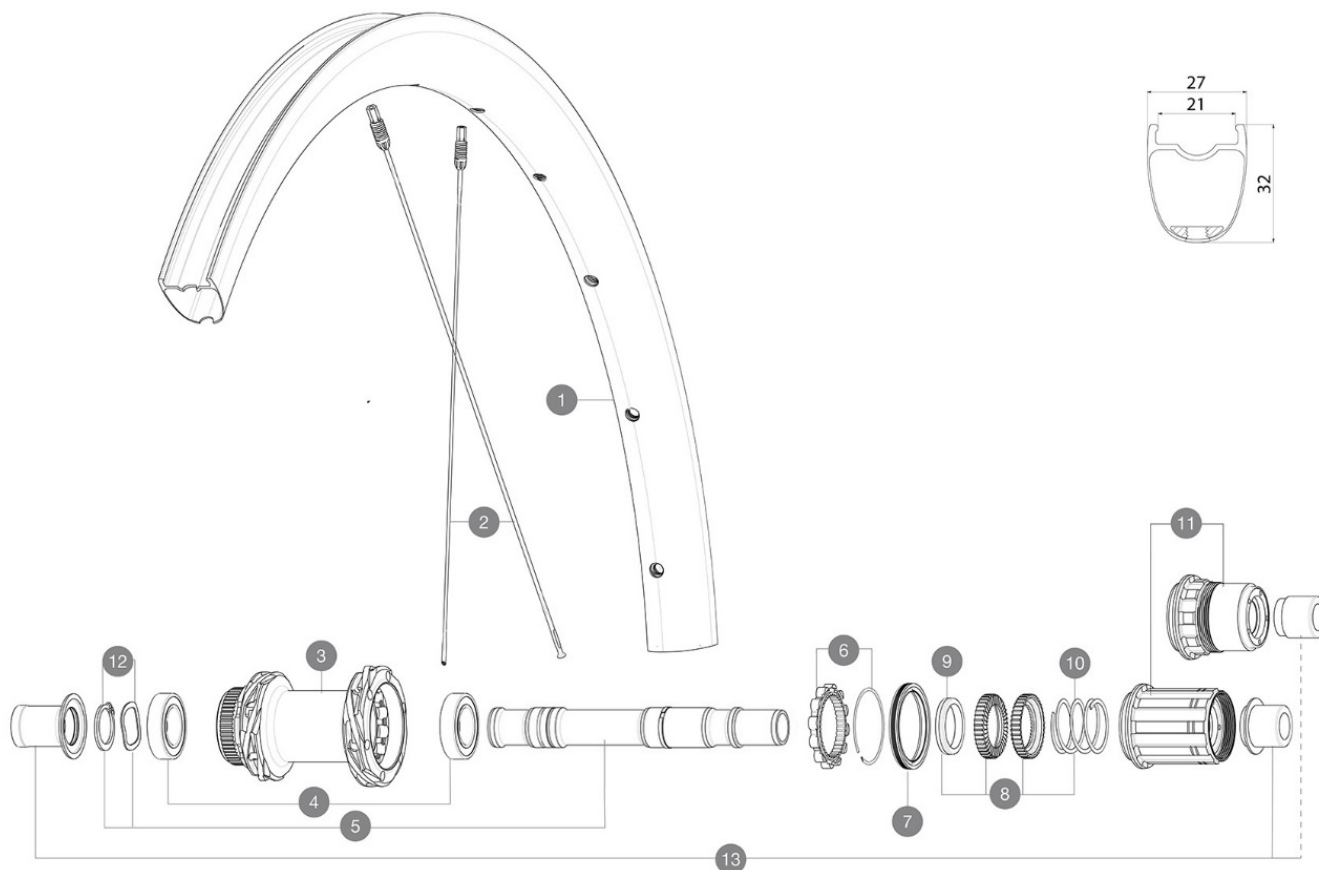
# MAVIC COSMIC SLR 32 DISC

1  
2021  
REAR

ASTM CATEGORY 2 : road and offroad with jumps less than 15cm  
ID360 Shimano steel freewheel body (V3790101)  
Maximum tyre pressure: 6.1bar/88PSI with a 25mm tyre - 3.5bar/51PSI with a 64mm tyre  
For a longer longevity of the wheel, Mavic recommends that the total weight supported by the wheels doesn't exceed 120kg, bike included  
Recommended tyre sizes: 25 to 32 mm  
Max. Pressure: see indication on wheel and tyre. If they differ, use the lowest of the 2  
ID360 N3W freewheel body (V4270101))

## REFERENCES WHEELS

R39781	COS SLR32 CL 700 12X142 M11	R39791	COS SLR32 CL 700 12X142 XDR
--------	-----------------------------	--------	-----------------------------



## RIMS



&nbsp;:

1	V4094615	Kit Front/Rear rim Cosmic SLR 32 Disc
---	----------	---------------------------------------

## SPOKES

2	V4164801	Kit 12 CosmicSLR32 Disc aero sspk M6 291
---	----------	--

## HUB SHELLS

3	N/A	HUB BODY
3	N/A	HUB BODY
4	M40076	HUB BEARINGS 17x30x7 6903 x 2
5	V00046431	KIT AXE ID360 142LIGHT CL+CIR
6	V2252701	KIT ID360 INSERT SHAPED EAR LOBE > 2017
7	V00063631	Kit ID360 seal version 2 (larger)
8	V2251701	KIT ID360 2 RATCHETS + SPRING + GREASE
9	V2500501	KIT ID360 3 PADS NOISE REDUCING
10	V2251801	KIT 3 ID360 ROAD SPRINGS
11	V3430101	HG11 Freewheel Body ID360
11	V2580101	FREEHUB BODY XD Road ID360
12	V2373001	KIT ADJUST. SYSTEM QRM AUTO ID360 for 17x30x7 bearing

## OPTIONS

V2373401	KIT ID360 135/142 DCL L1 AXLE WITH CLIP
----------	---

## ADAPTERS

13	V3811001	KIT ROAD ID360 RR CL ENDCAP (12MM)
	V2510901	ID360 EVO RrAxleAdpt12x135/150
	V2510801	ID360 V2 RrAxleAdapt9x135

# MAVIC COSMIC SLR 32 DISC

 2021  
 REAR

## DELIVERED WITH

User guide	
UST valve and accessories (129 838 01)	
UST valve and accessories (129 838 01)	
UST valve and accessories (129 838 01)	
User guide	
User guide	
User guide	
UST valve and accessories (129 838 01)	
ID360 Campagnolo freewheel body (LV3440100)	

## COMPATIBILITY

Freewheel: Shimano/Sram, convertible to Campagnolo and XD-R with optional driver bodies	
Freewheel: Shimano/Sram, convertible to Campagnolo and XD-R with optional driver bodies	
Front axle: 12x100 thru axle, easily convertible to quick release with optional adapters. Not compatible with 15mm through axles.	
Front axle: 12x100 thru axle, easily convertible to quick release with optional adapters. Not compatible with 15mm through axles	
Freewheel body: convertible SRAM XD road (kit V2580101 sold separately)	
Freewheel body: convertible SRAM XD road (kit V2580101 sold separately)	
Rear axle: 12mm thru axle, convertible to Quick Release with optional adapters	
Rear axle: 12mm thru axle, convertible to Quick Release with optional adapters	
Freewheel body: convertible SHIMANO HG light road (kit V3850101 sold separately)	
Freewheel body: convertible SHIMANO HG light road (kit V3850101 sold separately)	
Freewheel body: convertible SHIMANO MS (kit V3990101 sold separately)	
Freewheel body: convertible SHIMANO MS (kit V3990101 sold separately)	
Freewheel body: convertible CAMPAGNOLO ED (kit V3440101 sold separately)	
Freewheel body: convertible CAMPAGNOLO ED (kit V3440101 sold separately)	
Freewheel body: convertible CAMPAGNOLO N3W (kit V4270101 sold separately)	
Freewheel body: convertible CAMPAGNOLO N3W (kit V4270101 sold separately)	
ID360 Shimano Micro Spline alloy freewheel body (V3990101)	
Rear axle: for fixing nuts only (included), M9x1 thread	