

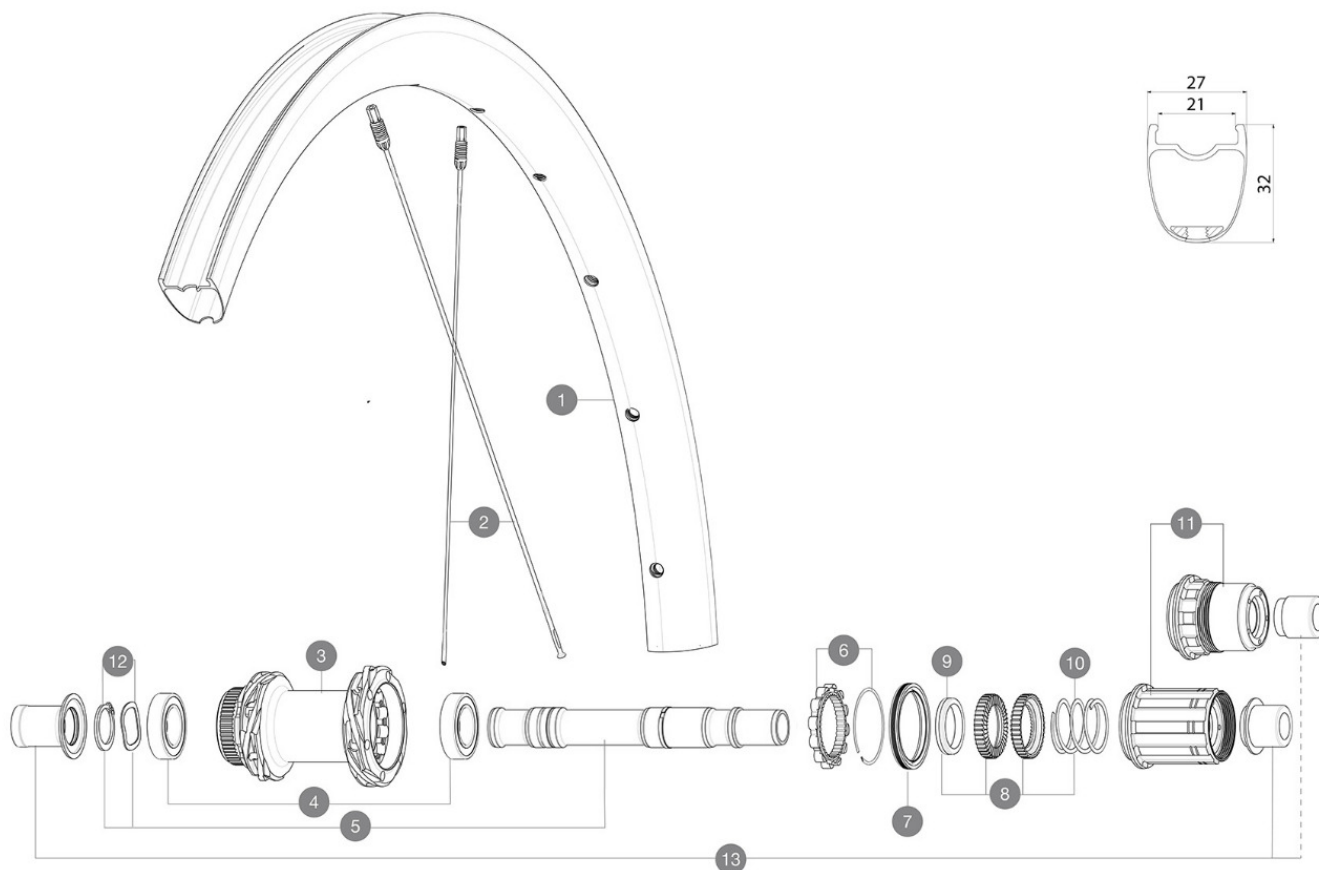
MAVIC COSMIC SLR 32 DISC

1
2021
REAR

ASTM CATEGORY 2 : road and offroad with jumps less than 15cm
ID360 Shimano steel freewheel body (V3790101)
Maximum tyre pressure: 6.1bar/88PSI with a 25mm tyre - 3.5bar/51PSI with a 64mm tyre
For a longer longevity of the wheel, Mavic recommends that the total weight supported by the wheels doesn't exceed 120kg, bike included
Recommended tyre sizes: 25 to 32 mm
Max. Pressure: see indication on wheel and tyre. If they differ, use the lowest of the 2
ID360 N3W freewheel body (V4270101))

REFERENCES WHEELS

| | | | |
|--------|-----------------------------|--------|-----------------------------|
| R39781 | COS SLR32 CL 700 12X142 M11 | R39791 | COS SLR32 CL 700 12X142 XDR |
|--------|-----------------------------|--------|-----------------------------|



RIMS



 :

| | | |
|---|----------|---------------------------------------|
| 1 | V4094615 | Kit Front/Rear rim Cosmic SLR 32 Disc |
|---|----------|---------------------------------------|

SPOKES

| | | |
|---|----------|--|
| 2 | V4164801 | Kit 12 CosmicSLR32 Disc aero sspk M6 291 |
|---|----------|--|

HUB SHELLS

| | | |
|----|-----------|---|
| 3 | N/A | HUB BODY |
| 3 | N/A | HUB BODY |
| 4 | M40076 | HUB BEARINGS 17x30x7 6903 x 2 |
| 5 | V00046431 | KIT AXE ID360 142LIGHT CL+CIR |
| 6 | V2252701 | KIT ID360 INSERT SHAPED EAR LOBE > 2017 |
| 7 | V00063631 | Kit ID360 seal version 2 (larger) |
| 8 | V2251701 | KIT ID360 2 RATCHETS + SPRING + GREASE |
| 9 | V2500501 | KIT ID360 3 PADS NOISE REDUCING |
| 10 | V2251801 | KIT 3 ID360 ROAD SPRINGS |
| 11 | V3430101 | HG11 Freewheel Body ID360 |
| 11 | V2580101 | FREEHUB BODY XD Road ID360 |
| 12 | V2373001 | KIT ADJUST. SYSTEM QRM AUTO ID360 for 17x30x7 bearing |

OPTIONS

| | |
|----------|---|
| V2373401 | KIT ID360 135/142 DCL L1 AXLE WITH CLIP |
|----------|---|

ADAPTERS

| | | |
|----|----------|------------------------------------|
| 13 | V3811001 | KIT ROAD ID360 RR CL ENDCAP (12MM) |
| | V2510801 | ID360 V2 RrAxleAdapt9x135 |
| | V2510901 | ID360 EVO RrAxleAdpt12x135/150 |

MAVIC COSMIC SLR 32 DISC

 2021
 REAR

DELIVERED WITH

| | |
|---|--|
| User guide | |
| UST valve and accessories (129 838 01) | |
| UST valve and accessories (129 838 01) | |
| UST valve and accessories (129 838 01) | |
| User guide | |
| User guide | |
| User guide | |
| UST valve and accessories (129 838 01) | |
| ID360 Campagnolo freewheel body (LV3440100) | |

COMPATIBILITY

| | |
|---|--|
| Freewheel: Shimano/Sram, convertible to Campagnolo and XD-R with optional driver bodies | |
| Freewheel: Shimano/Sram, convertible to Campagnolo and XD-R with optional driver bodies | |
| Front axle: 12x100 thru axle, easily convertible to quick release with optional adapters. Not compatible with 15mm through axles. | |
| Front axle: 12x100 thru axle, easily convertible to quick release with optional adapters. Not compatible with 15mm through axles | |
| Freewheel body: convertible SRAM XD road (kit V2580101 sold separately) | |
| Freewheel body: convertible SRAM XD road (kit V2580101 sold separately) | |
| Rear axle: 12mm thru axle, convertible to Quick Release with optional adapters | |
| Rear axle: 12mm thru axle, convertible to Quick Release with optional adapters | |
| Freewheel body: convertible SHIMANO HG light road (kit V3850101 sold separately) | |
| Freewheel body: convertible SHIMANO HG light road (kit V3850101 sold separately) | |
| Freewheel body: convertible SHIMANO MS (kit V3990101 sold separately) | |
| Freewheel body: convertible SHIMANO MS (kit V3990101 sold separately) | |
| Freewheel body: convertible CAMPAGNOLO ED (kit V3440101 sold separately) | |
| Freewheel body: convertible CAMPAGNOLO ED (kit V3440101 sold separately) | |
| Freewheel body: convertible CAMPAGNOLO N3W (kit V4270101 sold separately) | |
| Freewheel body: convertible CAMPAGNOLO N3W (kit V4270101 sold separately) | |
| ID360 Shimano Micro Spline alloy freewheel body (V3990101) | |
| Rear axle: for fixing nuts only (included), M9x1 thread | |