

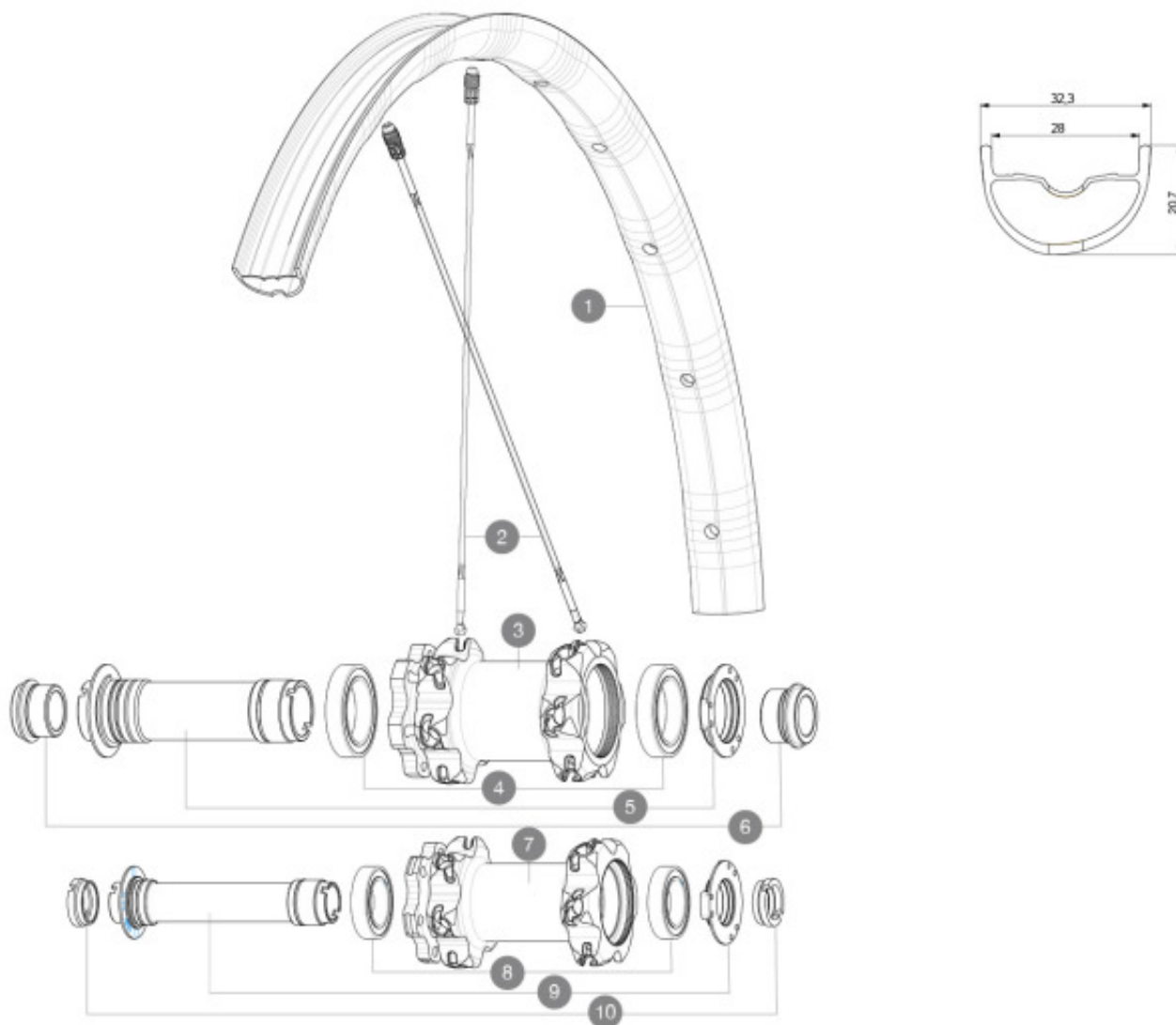
MAVIC Deemax Pro Team Series

ASTM CATEGORY 4 : ENDURO AND TRAIL RIDING

For a longer longevity of the wheel, Mavic recommends that the total weight supported by the wheels don't exceed 120kg, bike included

Recommended tyre sizes: 46mm to 64mm (1.8" to 2.5")

REFERENCES WHEELS



SPOKES

2	A7209901	KIT 12 FT/NDS CROSSMAX XL/DEEMAX PRO 19 29" SPK 293mm
---	----------	---

HUB SHELLS

4	M40179	FRONT BEARING 25x37x7 20mm AXLE
5	30870501	FRONT AXLE 20mm CROSSMAX + DEEMAX ULTI 2012
8	99688501	BEARING KIT 9/12/15 D6T HUB 20x32x7 6804
9	V2370701	KIT FRONT QRM+ AXLE BOOST INTL 110mm

OPTIONS


V2650201	ADAPTER Front Torque Cap 15x31 MTB QRM +
----------	--

ADAPTERS

6	12982801	ADAPTER Ft 20 to 15mm
10	B4104401	ADAPTER Ft 15mm QRM+
	12982901	ADAPTER Ft 20x110mm
	12982701	ADAPTER Ft 20 to 9mm QR incl.
	B4104301	ADAPTER Ft 9mm QR QRM+

MAVIC Deemax Pro Team Series

DELIVERED WITH

UST valve and accessories (129 838 01)	
Specific disc bolts (308 719 01)	
Multifonction adjustment wrench (325 423 01)	
Replacement spokes (2 with the front wheel and 4 with the rear)	
User guide	
Torque Cap Adapter	
XD driver body	

COMPATIBILITY

Rear axle: 12mm thru axle	
---------------------------	--

Specifications

RIMS

- **Material** : Mxstal
 - **Drilling** : Fore
 - **Weight reduction** : ISM 4D
 - **Valve hole diameter** : 6.5 mm
 - **Tyre** : UST Tubeless and tubetype
 - **Internal width** : 28 mm
- Hookless profile
- **ETRTO size 29"** : 622x28TSS

SPOKES

- **Material** : Zicral
- **Shape** : straight pull, flat
- **Nipples** : Fore integrated aluminum
- **Count** : 24 front and rear
- **Lacing** : front crossed 2, rear Isopulse

WHEEL HUB

- **Front and rear bodies** : aluminum
- **Front bearings** : adjustable sealed cartridge bearings (QRM+), Rear bearings auto adjust sealed cartridge bearings (QRM Auto)
- **Freewheel** : Instant Drive 360

VERSIONS

- **Color** : Black only
- **Disc standard** : 6 Bolts only
- **Hub width** : Boost only (front 110, rear 148)

WHEEL WEIGHTS

915