

**ASTM CATEGORY 3 : CROSS COUNTRY**

For a longer longevity of the wheel, Mavic recommends that the total weight supported by the wheels doesn't exceed 150kg, bike included

Maximum tyre pressure: 2.35bar/34PSI with a 52mm tyre - 1.25bar/18PSI with a 125mm tyre

Minimum tyre size: width 52mm - pressure max. 2.35Bar/34PSI

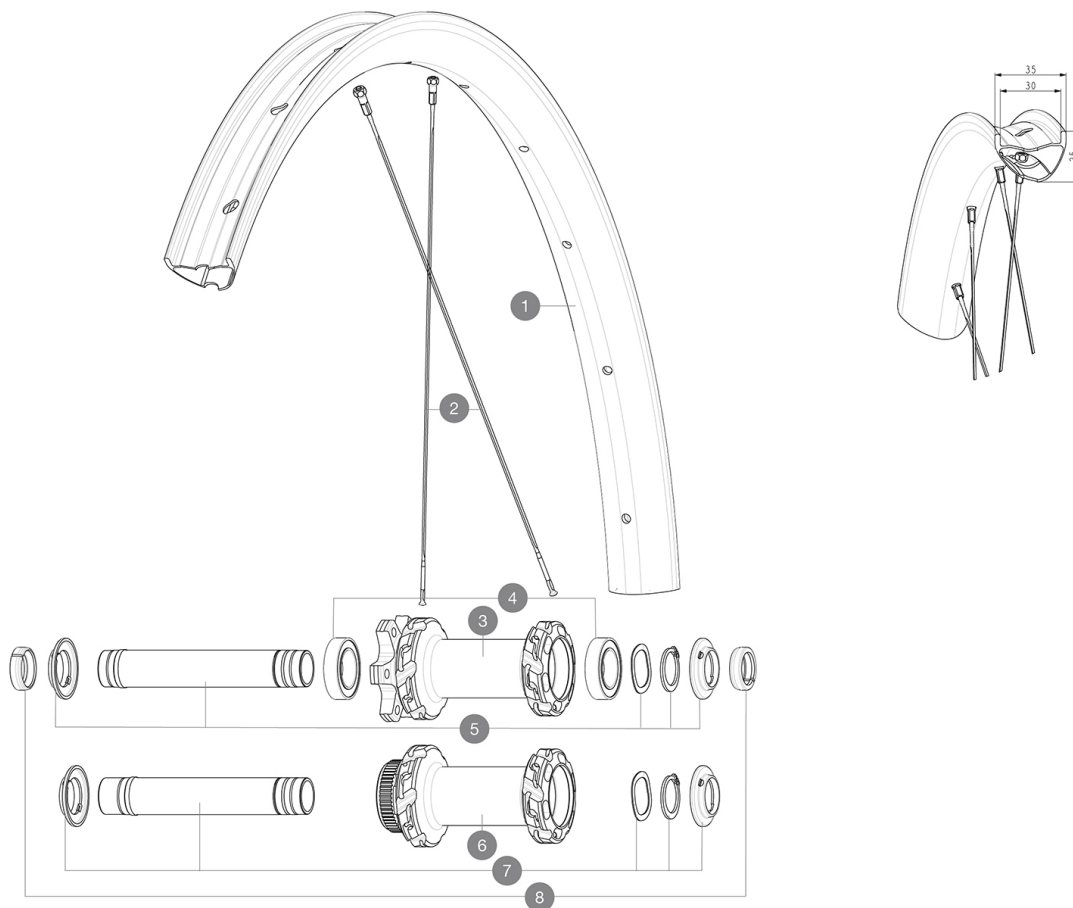
Recommended tire sizes: 50mm to 76mm (2.0" to 3.0")

Non-Boost : 15 to 9mm front adapter for quick release ([99694101])

**REFERENCES WHEELS**

F91941 XMAXSLULT 30 CL 29 BST

F92281 XMAXSLULT 30 INT 29 BST



**RIMS**



&NBSP;:

<b>1</b>	V00004631	Kit Front/Rear rim Crossmax SL Ultimate 30
	V3750101	35mm UST Green Tape for 30mm wide rims

**SPOKES**

<b>2</b>	V00065231	Kit12Fr/Rr MTBcarb29 ss spk293
<b>2</b>	V2389101	Kit 12Fr/Rr XmaxSL Ultimate spk293+np&w while stock lasts

**HUB SHELLS**

<b>3</b>	N/A	HUB BODY
<b>4</b>	V2500901	KIT BEARINGS 18x30x7 + WAVED WASHER + CLIP
<b>5</b>	V2372401	KIT 110mm AXLE QRM AUTO MTB > 2019
<b>6</b>	N/A	HUB BODY
<b>7</b>	V2375601	Kit 110mm axle QRM auto MTB from 2019 DCL

**OPTIONS**

V2374401	TORQUE CAPS 15*31 Adapter MTB QRM Auto > 2019 Frt HUB
----------	---

**ADAPTERS**

<b>8</b>	V2372501	15mm MTB Axle Cap QRM Auto From 2019
	99694101	ADAPTER Ft 15 to 9mm QR

## DELIVERED WITH

User guide	
Wheelbag (V24 801 01)	
UST valve and accessories (129 838 01)	
UST valve and accessories (129 838 01)	
Pre-installed tubeless rim tape	
Pre-installed tubeless rim tape	
Multifunction adjustment wrench (delivered with rear wheel) (325 423 01)	
Wheelbag (V24 801 01)	
Wheelbag (V24 801 01)	
User guide	
Pre-installed tubeless rim tape	
UST valve and accessories (129 838 01)	
2 replacement spokes with each wheel	
12 to 9mm rear adapter for quick release (V2510801)	
2 replacement spokes with each wheel	
2 replacement spokes with each wheel	

## COMPATIBILITY

Front axle: 15x110 Boost thru axle	
Front axle: 15x110 Boost thru axle	
Freewheel body: convertible SHIMANO HG MTB steel (kit V3790101 sold separately)	
Freewheel body: convertible SHIMANO HG MTB steel (kit V3790101 sold separately)	
Boost 20 to 15mm front adapter ([12982801])	
Front axle: for fixing nuts only (included), M9x1 thread	
Rear axle adapters: 12x148 convertible to 9x141 (kit V2510801 sold separately)	
Rear axle adapters: 12x148 convertible to 9x141 (kit V2510801 sold separately)	
Rear axle: 12x148 Boost thru axle	
Front axle: 15x110 Boost thru axle	
Front axle: for fixing nuts only (included), M9x1 thread	

## Specifications

### RIMS

- **Material** : 100% carbon fiber with UD<sup>2</sup> external layer
- **Material** : 100% carbon fiber with UD<sup>2</sup> external layer
- **Material** : 100% carbon fiber with UD<sup>2</sup> external layer

### WHEEL HUB

- Infinity hubs
- **Body** : aluminum
- **Body** : aluminum
- Instant Drive 360 freewheel technology
- QRM Auto bearing preload technology

### WHEEL WEIGHTS

635