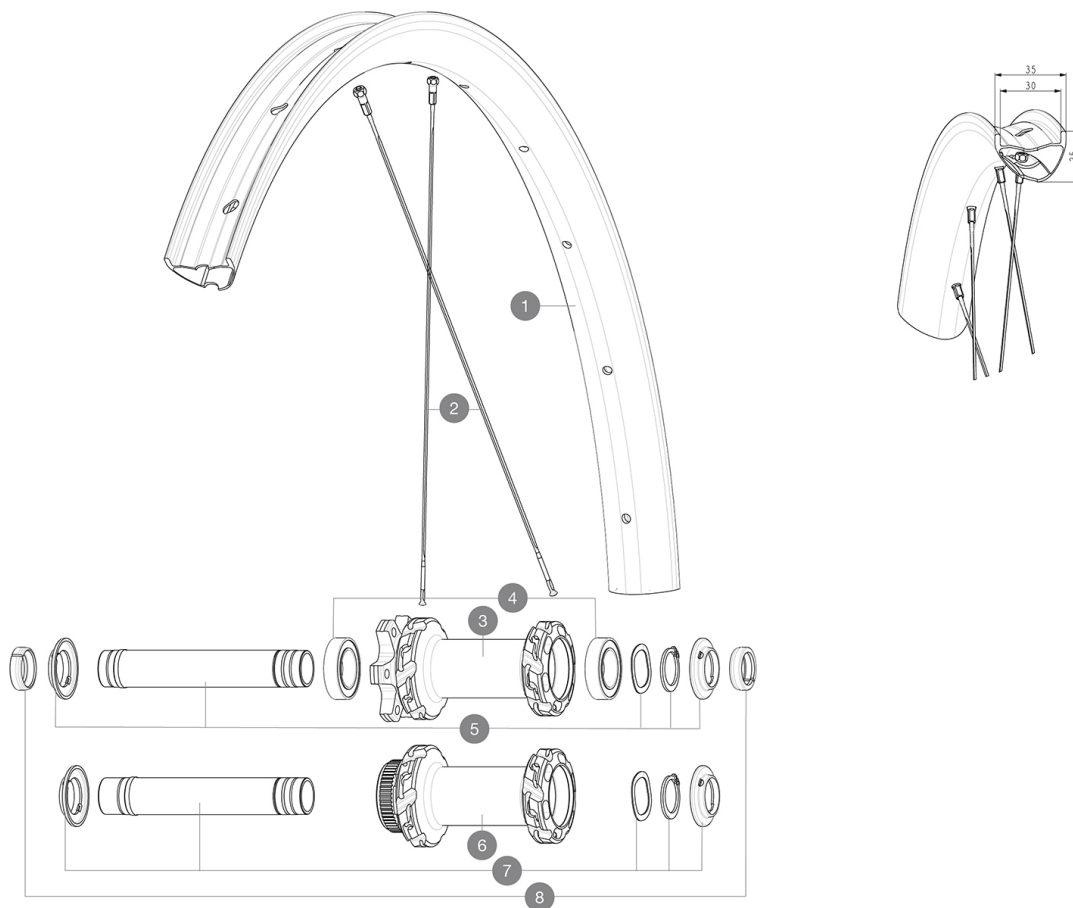


ASTM CATEGORY 3 : CROSS COUNTRY

Maximum tyre pressure: 2.35bar/34PSI with a 52mm tyre - 1.25bar/18PSI with a 125mm tyre
 For a longer longevity of the wheel, Mavic recommends that the total weight supported by the wheels doesn't exceed 150kg, bike included
 Minimum tyre size: width 52mm - pressure max. 2.35Bar/34PSI
 Recommended tire sizes: 50mm to 76mm (2.0" to 3.0")
 Non-Boost : 15 to 9mm front adapter for quick release ([99694101])

REFERENCES WHEELS

F91941	XMAXSLULT 30 CL 29 BST	F92281	XMAXSLULT 30 INT 29 BST
--------	------------------------	--------	-------------------------



RIMS



&NBSP::

1	V00004631	Kit Front/Rear rim Crossmax SL Ultimate 30
	V3750101	35mm UST Green Tape for 30mm wide rims

SPOKES

2	V00065231	Kit12Fr/Rr MTBcarb29 ss spk293
2	V2389101	Kit 12Fr/Rr XmaxSL Ultimate spk293+np&w while stock lasts

HUB SHELLS

3	N/A	HUB BODY
4	V2500901	KIT BEARINGS 18x30x7 + WAVED WASHER + CLIP
5	V2372401	KIT 110mm AXLE QRM AUTO MTB > 2019
6	N/A	HUB BODY
7	V2375601	Kit 110mm axle QRM auto MTB from 2019 DCL

OPTIONS

V2374401	TORQUE CAPS 15*31 Adapter MTB QRM Auto > 2019 Frt HUB
----------	---

ADAPTERS

8	V2372501	15mm MTB Axle Cap QRM Auto From 2019
	99694101	ADAPTER Ft 15 to 9mm QR

DELIVERED WITH

User guide	
Wheelbag (V24 801 01)	
UST valve and accessories (129 838 01)	
UST valve and accessories (129 838 01)	
Pre-installed tubeless rim tape	
Pre-installed tubeless rim tape	
Multifunction adjustment wrench (delivered with rear wheel) (325 423 01)	
Wheelbag (V24 801 01)	
Wheelbag (V24 801 01)	
User guide	
Pre-installed tubeless rim tape	
UST valve and accessories (129 838 01)	
2 replacement spokes with each wheel	
12 to 9mm rear adapter for quick release (V2510801)	
2 replacement spokes with each wheel	
2 replacement spokes with each wheel	

COMPATIBILITY

Front axle: 15x110 Boost thru axle	
Front axle: 15x110 Boost thru axle	
Freewheel body: convertible SHIMANO HG MTB steel (kit V3790101 sold separately)	
Freewheel body: convertible SHIMANO HG MTB steel (kit V3790101 sold separately)	
Boost 20 to 15mm front adapter ([12982801])	
Front axle: for fixing nuts only (included), M9x1 thread	
Rear axle adapters: 12x148 convertible to 9x141 (kit V2510801 sold separately)	
Rear axle adapters: 12x148 convertible to 9x141 (kit V2510801 sold separately)	
Rear axle: 12x148 Boost thru axle	
Front axle: 15x110 Boost thru axle	
Front axle: for fixing nuts only (included), M9x1 thread	

Specifications

RIMS

- Material : 100% carbon fiber with UD² external layer
- Material : 100% carbon fiber with UD² external layer
- Material : 100% carbon fiber with UD² external layer

WHEEL HUB

- Infinity hubs
- Body : aluminum
- Body : aluminum
- Instant Drive 360 freewheel technology
- QRM Auto bearing preload technology

WHEEL WEIGHTS

635