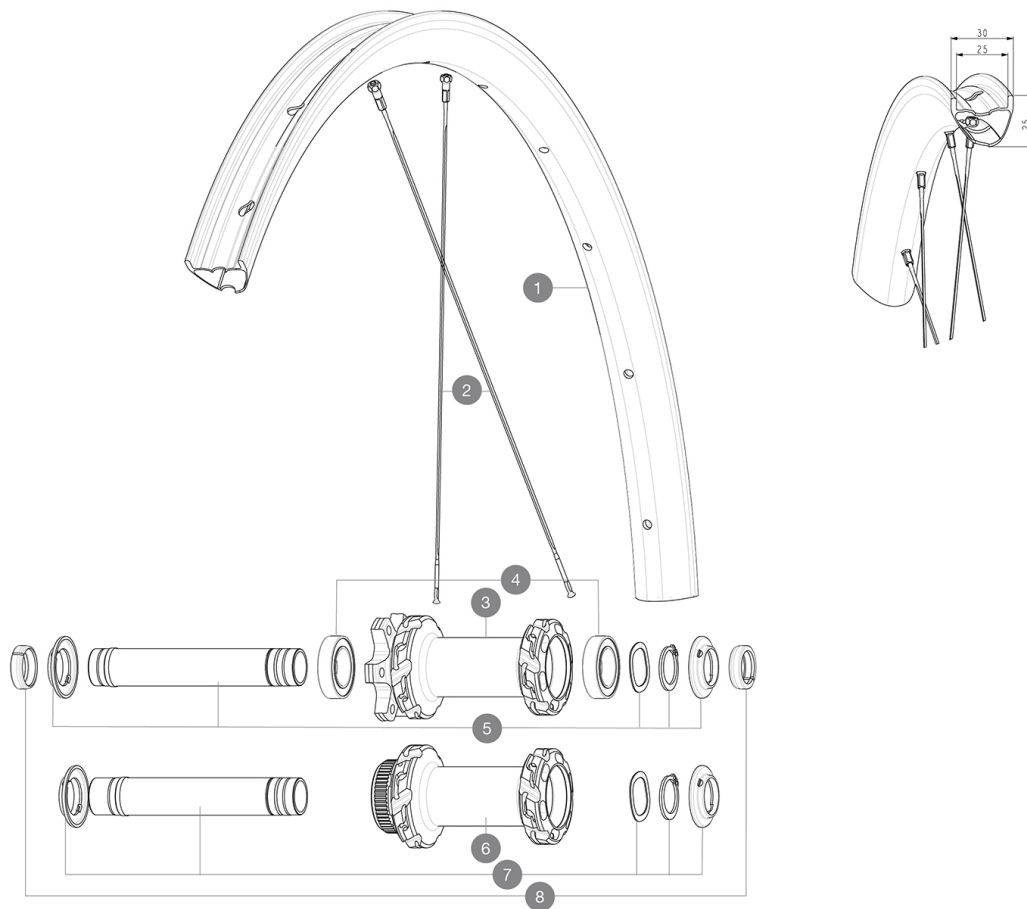


RÉFÉRENCES ROUES

F93001 CROSSMAX SL R CL 29 BST

F92991 CROSSMAX SL R INT 29 BST



JANTES



 :

| | | |
|---|-----------|--|
| 1 | V00004731 | Kit Front/Rear rim Crossmax SLR 29" 22 |
| | V2700101 | UST Tape 28mm for 25 to 27mm wide rims |

RAYONS

| | | |
|---|----------|---|
| 2 | V2389101 | Kit 12Fr/Rr XmaxSL Ultimate spk293+np&w |
|---|----------|---|

MOYEURS

| | | |
|---|----------|--|
| 3 | N/A | CORPS DE MOYEU |
| 4 | V2500901 | KIT BEARINGS 18x30x7 + WAVED WASHER + CLIP |
| 5 | V2372401 | KIT 110mm AXLE QRM AUTO MTB > 2019 |
| 6 | N/A | CORPS DE MOYEU |
| 7 | V2375601 | Kit 110mm axle QRM auto MTB from 2019 DCL |

OPTIONS

V2374401 TORQUE CAPS 15*31 Adapter MTB QRM Auto > 2019 Frt HUB

ADAPTATEURS

8 V2372501 15mm MTB Axle Cap QRM Auto From 2019
99694101 2 REDUCTEURS 15/9mm

MAVIC **CROSSMAX SL R**

Spécifications
POIDS ROUES