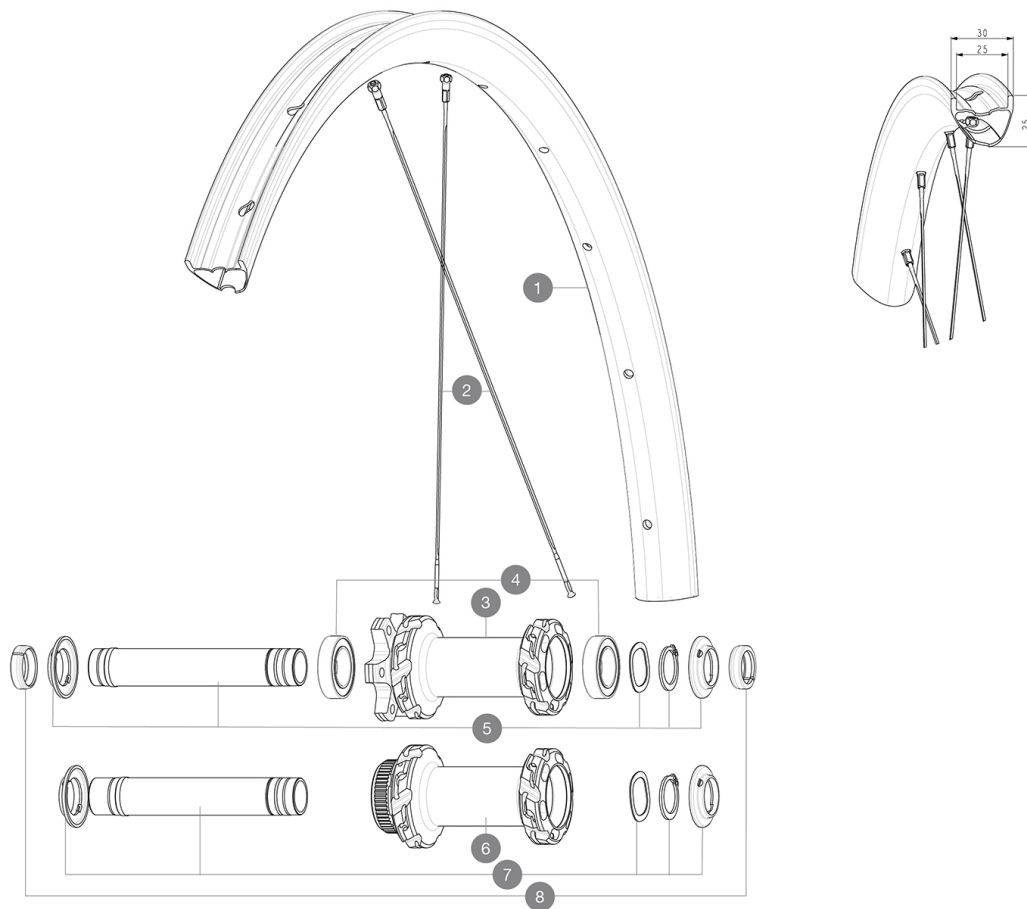


RÉFÉRENCES ROUES

F93001 CROSSMAX SL R CL 29 BST

F92991 CROSSMAX SL R INT 29 BST



JANTES



 :

1	V00004731	Kit Front/Rear rim Crossmax SLR 29" 22
	V2700101	UST Tape 28mm for 25 to 27mm wide rims

RAYONS

2	V2389101	Kit 12Fr/Rr XmaxSL Ultimate spk293+np&w
---	----------	---

MOYEURS

3	N/A	CORPS DE MOYEU
4	V2500901	KIT BEARINGS 18x30x7 + WAVED WASHER + CLIP
5	V2372401	KIT 110mm AXLE QRM AUTO MTB > 2019
6	N/A	CORPS DE MOYEU
7	V2375601	Kit 110mm axle QRM auto MTB from 2019 DCL

OPTIONS

V2374401 TORQUE CAPS 15*31 Adapter MTB QRM Auto > 2019 Frt HUB

ADAPTATEURS

8 V2372501 15mm MTB Axle Cap QRM Auto From 2019
99694101 2 REDUCTEURS 15/9mm

MAVIC *CROSSMAX SL R*

Spécifications
POIDS ROUES