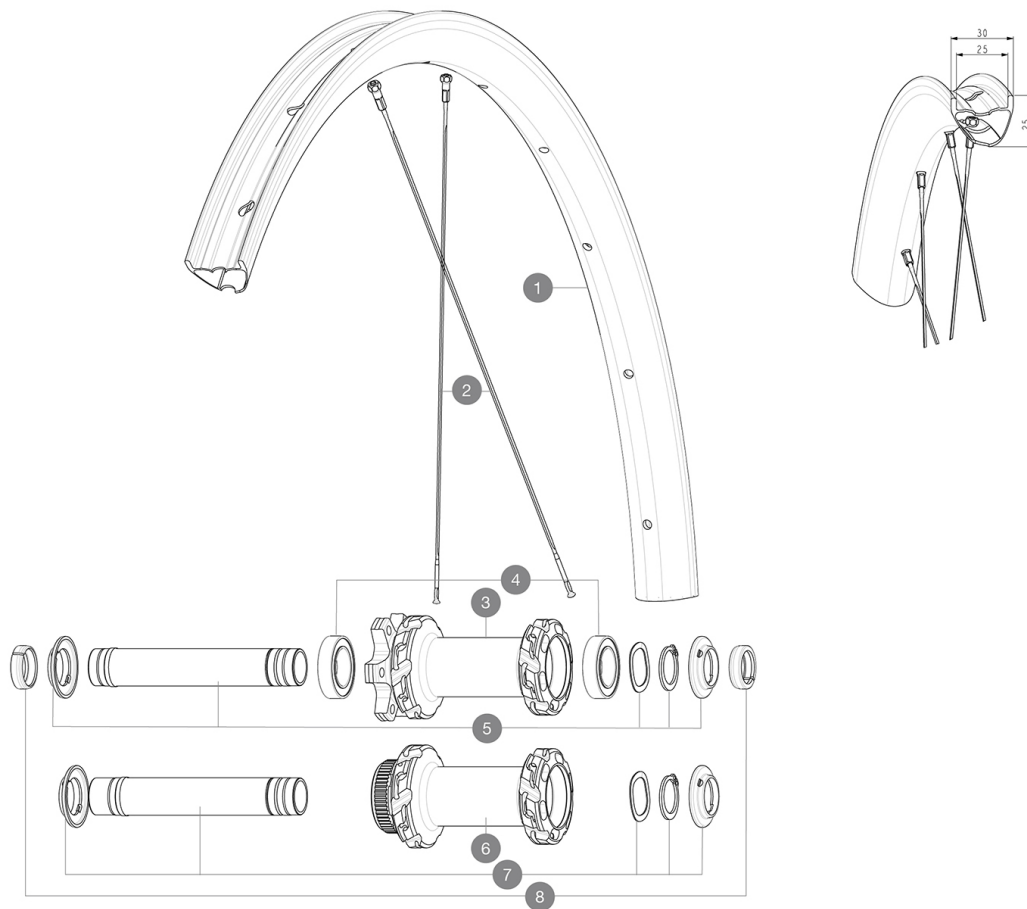


## REFERENZE RUOTE

F93001 CROSSMAX SL R CL 29 BST

F92991 CROSSMAX SL R INT 29 BST



### RIMS



&NBSP;:

1	V00004731	Kit Front/Rear rim Crossmax SLR 29" 22
	V2700101	UST Tape 28mm for 25 to 27mm wide rims

### SPOKES

2	V2389101	Kit 12Fr/Rr XmaxSL Ultimate spk293+np&w
---	----------	---

### HUB SHELLS

3	N/A	CORPO MOZZO
4	V2500901	KIT BEARINGS 18x30x7 + WAVED WASHER + CLIP
5	V2372401	KIT 110mm AXLE QRM AUTO MTB > 2019
6	N/A	CORPO MOZZO
7	V2375601	Kit 110mm axle QRM auto MTB from 2019 DCL

### OPTIONS

V2374401	TORQUE CAPS 15*31 Adapter MTB QRM Auto > 2019 Frt HUB
----------	---

### ADAPTERS

8	V2372501	15mm MTB Axle Cap QRM Auto From 2019
	99694101	2 REDUCERS 15/9mm

**MAVIC** **CROSSMAX SL R**

**Specifications**

PESI RUOTE