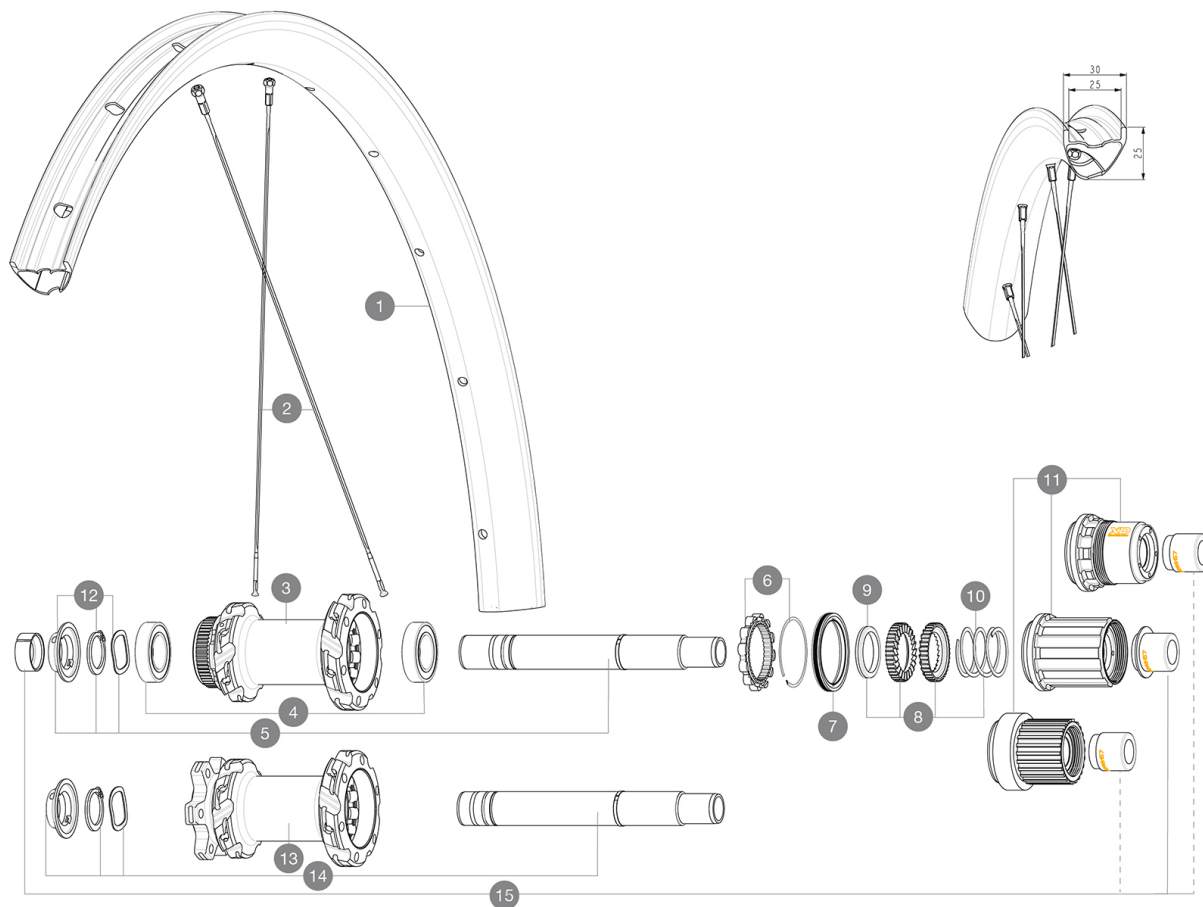


RÉFÉRENCES ROUES

R41191 CROSSMAX SL R INT 29 BST

R41221 CROSSMAX SL R CL 29 BST MS

R41211 CROSSMAX SL R INT 29 BST XD



JANTES



 NBSP;:

1	V00004731	Kit Front/Rear rim Crossmax SLR 29" 22
	V2700101	UST Tape 28mm for 25 to 27mm wide rims

RAYONS

2	V2389101	Kit 12Fr/Rr XmaxSL Ultimate spk293+np&w
---	----------	---

MOYEURS

3	N/A	CORPS DE MOYEU
4	M40076	HUB BEARINGS 17x30x7 6903 x 2
5	V2375701	Kit ID360 148 DCL axle with circlip
6	V2252701	KIT ID360 INSERT SHAPED EAR LOBE > 2017
7	V2251601	ID360 SEAL + GREASE
8	V2375201	KIT ID360 24 TEETH 2 RATCHET + MTB SPRING + PAD (specific)
9	V2375401	KIT ID360 MTB 24T 3 NOISE REDUCING PADS
10	V2372901	KIT 3 ID360 MTB SPRINGS
11	V3990101	MicroSpline MTB Freewheel Body ID360
11	V3780101	HG9 Alloy MTB Freewheel Body ID360
11	V3740101	XD MTB Freewheel Body ID360
12	V2373001	KIT ADJUST. SYSTEM QRM AUTO ID360 for 17x30x7 bearing
13	N/A	CORPS DE MOYEU
14	V2372201	KIT ID360 148 D6T AXLE WITH CLIP

OPTIONS

8	V2372801	KIT ID360 2x40 TEETH RATCHETS + MTB SPRING + GREASE + PAD
---	----------	---

ADAPTATEURS

15	V2510701	ID360 EVO REAR AXLE ADAPTERS 12x142mm DCL & D6T
	V2510801	ID360 EVO REAR AXLE ADAPTERS 9x135mm DCL & D6T

MAVIC **CROSSMAX SL R**

Spécifications
POIDS ROUES