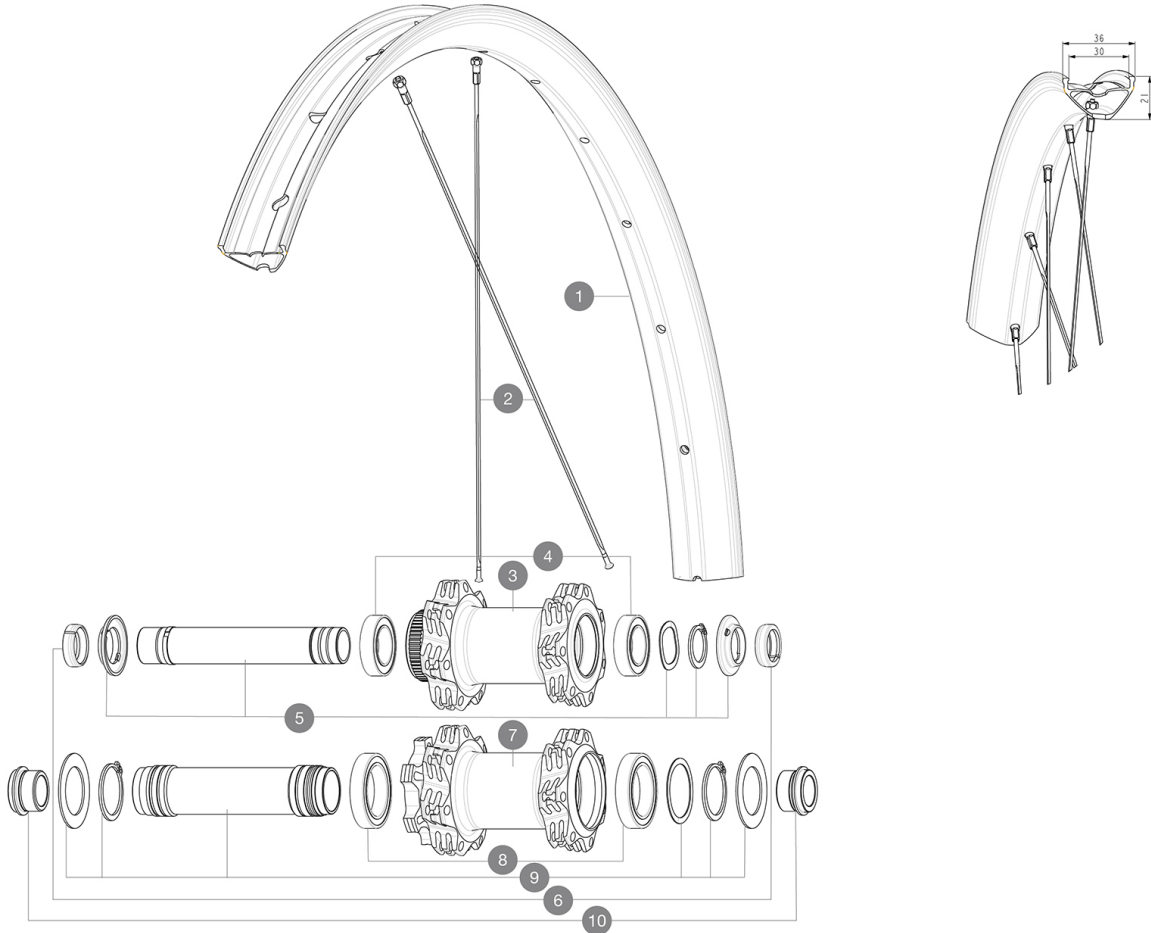


参照ホイール

F92741	E-DEEMAX 30 INT 29 BST	F92751	E-DEEMAX 30 CL 29 BST
--------	------------------------	--------	-----------------------

ASTM E1000 5 :
 30mm wide rim
 Maximum tyre pressure: 2.95bar/43PSI with a 52mm tyre - 1.55bar/22PSI with a 125mm tyre
 52mm-
 2.95Bar/43PSI



RIMS



1	V3766915	Kit Front/Rear rim eDeemax 30 29"
	V3750101	35mm UST Green Tape for 30mm wide rims

SPOKES

2	V2389501	Kit 14 Front eDeemax 29" flat spoke 303 + nipple
---	----------	--

HUB SHELLS

3	N/A	HUB BODY
4	V2500901	KIT BEARINGS 18x30x7 + WAVED WASHER + CLIP
5	V2375601	Kit 110mm axle QRM auto MTB from 2019 DCL
7	N/A	HUB BODY
8	M40179	FRONT BEARING 25x37x7 20mm AXLE
9	V2373701	KIT 20x110mm BOOST AXLE QRM AUTO MTB > 2019

OPTIONS

V2650401	TORQUECAP20*31 FT QRM AUTO MTB
V2374401	TORQUE CAPS 15*31 Adapter MTB QRM Auto > 2019 Frit HUB

ADAPTERS

6	V2372501	15mm MTB Axle Cap QRM Auto From 2019
10	12982801	15mm ADAPTER KIT - 2012 WHEELS
	V2680401	20x110 BOOST Front Adapter MTB wheels
	99694101	2 REDUCERS 15/9mm

MAVIC E-DEEMAX 30 29

付属品

USTã□□ã□«ã□□i¼□ã□çã□_ã□»ã □µã□°ã□¼ (129 838 01)	
USTã□□ã□«ã□□i¼□ã□çã□_ã□»ã □µã□°ã□¼ (129 838 01)	
USTã□□ã□«ã□□i¼□ã□çã□_ã□»ã □µã□°ã□¼ (129 838 01)	
ã□□ã□¥ã□¼ã□□ã□_ã□'ã□°ã□ã□ã□ □ã□¼ã□□è£ ç□□æ,□ã□¿	
ã□□ã□¥ã□¼ã□□ã□_ã□'ã□°ã□ã□ã□ □ã□¼ã□□è£ ç□□æ,□ã□¿	
ã□□ã□¥ã□¼ã□□ã□_ã□'ã□°ã□ã□ã□ □ã□¼ã□□è£ ç□□æ,□ã□¿	
ã□ã□¼ã□□ã□¼ã□□_ã□°ã□□	
ã°æ□□ç□_ã□'ã□□ã□¼ã□□_¼□ã□ □ã□ã□°ã□□ã□□ã□°ã□¼ã□«ã□ 2æ□_ã□□ã□°ã□çã□□ã□°ã□¼ã□ ã□«4æ□_¼□	
ã°æ□□ç□_ã□'ã□□ã□¼ã□□_¼□ã□ □ã□ã□°ã□□ã□□ã□°ã□¼ã□«ã□ 2æ□_ã□□ã□°ã□çã□□ã□°ã□¼ã□ ã□«4æ□_¼□	
ã°æ□□ç□_ã□'ã□□ã□¼ã□□_¼□ã□ □ã□ã□°ã□□ã□□ã□°ã□¼ã□«ã□ 2æ□_ã□□ã□°ã□çã□□ã□°ã□¼ã□ ã□«4æ□_¼□	

COMPATIBILITY

ã□□ã□ã□°ã□□ã□çã□_ã□'ã□«i¼□ 15x110mmã□□ã□¼ã□'ã□□ã□□ã□ □ã±ã□@ã□çã□□ã□□ã□ã□¼ã□ □ã¼ã□□20X110mmã□□ã□¼ã□'ã□ □□ã□'ã□«ã□¼ã□çã□_ã□'ã□«ã□ çµ□ã□¿æ□¿ã□□ã□□ã□_è□½	
ã□°ã□çã□çã□_ã□'ã□«i¼□12x148m mã□□ã□¼ã□'ã□□ ã□'ã□«ã□¼ã□çã□_ã□'ã□«	
ã□□ã□ã□°ã□□ã□çã□_ã□'ã□«i¼□ 15x110mmã□□ã□¼ã□'ã□□ã□□ã□ □ã±ã□@ã□çã□□ã□□ã□ã□¼ã□ □ã¼ã□□20X110mmã□□ã□¼ã□'ã□ □□ã□'ã□«ã□¼ã□çã□_ã□'ã□«ã□ çµ□ã□¿æ□¿ã□□ã□□ã□_è□½	
ã□°ã□çã□çã□_ã□'ã□«ã□çã□□ã□ □ã□¿ã□¼¼□12x148ã□□9x141ã□ ã°æ□□¼□ã□- ã□□ã□□V2510801ã□_ã□¥ã¼¼□	
ã□□ã□ã□°ã□□ã□çã□_ã□'ã□«i¼□ □ã°ã□çã□_ã□□ã□□ã□□ã□@ã□ ¿¼¼ã□«ã□□¼ã□□M9x1ã□'ã□_ã□ ã□□ã□□	

Specifications

リム
ã□□ã□°ã□°ã□°¼ã□□ã□□ã□@ã□□ã□£
ã□_ã□çã□□ã□
ç°æ□□ã□□ã□_ã□'ã□¿ã□ã□
Eã□□ã□°ã□ã□«ç□'ã□□ã□□ã□□ã□°ã□
□ã¼çç□
ã□¿ã□°ã□°¼¼USTã□□ã□¥ã□¼ã□□ã□
_ã□'¼¼ã□□ã□¥ã□¼ã□□ã□¿ã□°ã□□
ETRTOã□µã□°ã□°29¼¼□622x30TC
é«□ã□□¼□22mm
ã□çã□_ã□'ã□ã□ã□°ã□¼¼ã□_ã□'ã□°é□
□ã¼çç¼¼ã□□@ã□°ã□ã□□ã□□ã□¼ã□°ã□
ã□□ã□'ã□ã□ã□□ã□□ã□ã□ã□ã□ã□
ã□□ã□_ã□_ã□çã□_ã□µã□°ã□□ã□ã□ã□
□¼ã□«i¼¼ã□□ã□°ã□°ã□@ã□°æ□ã□
ã□□ã□°ã□_ã□@ã□°ã□'ã□_ã□□æ□□ã□°
é□□ã□«i¼¼□
SUPæ°¼æ□¥ã□□ã□_ã□'ã□ã□ã□_ã□¼
ã□□ã□°ã□°ã□°¼¼ã□□ã□@ã□□ã□£
ã□_ã□çã□□ã□
Eã□□ã□°ã□ã□«ç□'ã□□ã□□ã□□ã□°ã□
□ã¼çç□
ã□¿ã□°ã□°¼¼USTã□□ã□¥ã□¼ã□□ã□
_ã□'¼¼ã□□ã□¥ã□¼ã□□ã□¿ã□°ã□□
ã□□ã□°ã□«i¼¼ã□¼¼çµ±ç□□ã□°ã□(ã□□ã□
ã□°ã□□ã□°ã□ç28ç°)ã□□
ã□□ã□_ã□¼ã□¼¼ã□□ã□£ã□'ã□
ã□çã□_ã□'ã□ã□□ã□°ã□¼¼ã□_ã□'ã□°é□
□ã¼çç¼¼ã□□@ã□°ã□ã□□ã□¼ã□°ã□
ETRTOã□µã□°ã□°29¼¼□622x30TC
ETRTOã□µã□°ã□°29¼¼□622x30TC
ã□□ã□°ã□ã□ã□@ã□□ã□ã□ã□ã□ã□
ã□□ã□_ã□_ã□çã□_ã□µã□°ã□□ã□ã□ã□
□¼ã□«i¼¼ã□□ã□°ã□°ã□@ã□°æ□ã□
ã□□ã□°ã□_ã□@ã□°ã□'ã□_ã□□æ□□ã□°
é□□ã□«i¼¼□

ホイールハブ
ã□□ã□□ã□£ç°æ□□¼¼ã□□çã□«ã□□ã□
□ã□ã□
ã□çã□_ã□'ã□«i¼¼ã□□ã□ã□°ã□□
15X110mmã□□ã□¼ã□'ã□□ã□□ã□°ã□ç
12X148mmã□□ã□¼ã□'ã□□
æ°□æ°□ã□□ã□£ã□'ã□¼¼¼6ç°ã□¼ã□
□ã□_ã□_ã□°ã□¿ã□¼ã□-
ã□□ã□_ã□@ã□°ã□¿
ã□□ã□□ã□6ç°ã□□ã□«ã□□ã□¼ã□□ã□
□'ã□_ã□°ã□ã□¼ã□ã□□ã□_ã□□ã□_ã□
¼¼ã□ã□ã□¼ã□¿ã□¼ã□«ã°ã□
ã□çã□_ã□'ã□«æ□□é°¼¼ã□çã□_ã□□ã□
□□ã□ã□
ã□çã□_ã□'ã□«ã□µã□°ã□¼¼ã□□ã□-
ã□'ã□□15x110¼¼ã□°ã□ç12x148
ã□□ã□°ã□¼ã□ã□°ã□¼ã□«ã□_ã□□ã□
□'ã□□ã□ã□ã□¼¼ã□°ã□°ã□'ã□¿ã□°
ã□□ã□_ã□□ã□ã□°ã□°ã□360
ã□□ã□°ã□¼ã□□ã□°ã□¼ã□«i¼¼ã□_ã□
□ã□□HG MTB /ã□_ã□□ã□□MS /
ã□'ã□@ã□ XD MTB
ã□□ã□çã□°ã□°ã°æ□□é¼¼¼ QRMè°
ã□□è°¿æ°□_ã□é□□ã□°ã□¼¼ã□□ã□°ã□
□ã□
ã□çã□_ã□'ã□«i¼¼ã□□ã□ã□°ã□□
15X110mmã□□ã□¼ã□'ã□□ã□□ã□°ã□ç
12X148mmã□□ã□¼ã□'ã□□
ã□□ã□□ã□6ç°ã□□ã□«ã□□ã□¼ã□□ã□
□'ã□_ã□°ã□ã□¼ã□ã□□ã□_ã□□ã□_ã□
¼¼ã□ã□ã□¼ã□¿ã□¼ã□«ã°ã□
ã□°ã□°ã□'ã□¿ã□°ã□□ã□ã□ã□°ã□
360ã□□ã□°ã□¼ã□□ã□°ã□°ã□¼ã□«
ã□□ã□_ã□□ã□ã□_ã□¼
ã□°ã□°ã□°ã□¿ã□°ã□ã□@ã□°ã□
360ã□□ã□°ã□¼ã□ã□°ã□°ã□¼ã□«

ホイールの重み

1035