

ASTM CATEGORY 5 : GRAVITY RIDING FOCUSED ON THE DESCENT

Maximum tyre pressure: 2.95bar/43PSI with a 52mm tyre - 1.55bar/22PSI with a 125mm tyre

Minimum tyre size: width 52mm - pressure max. 2.95Bar/43PSI

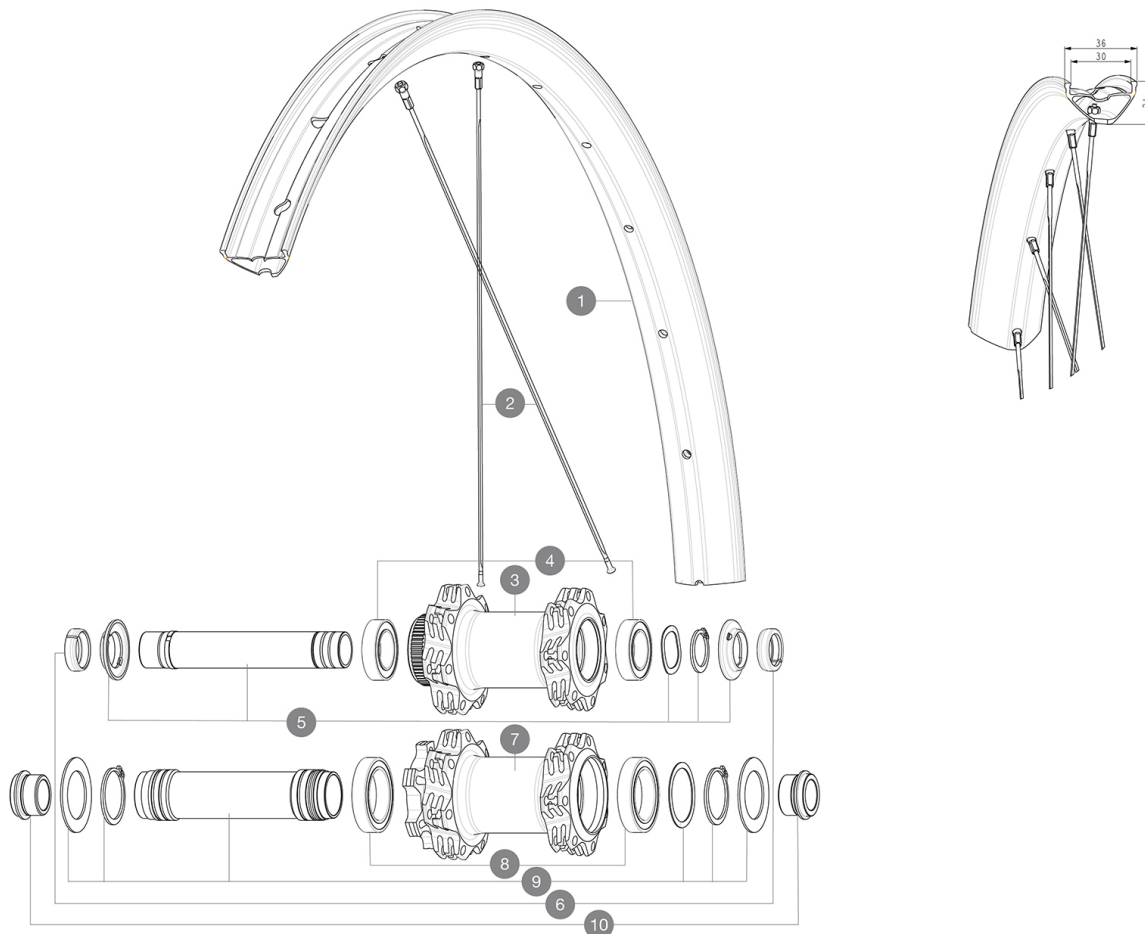
Recommended tyre sizes: 60mm to 76mm (2.35" to 3.0")

For a longer longevity of the wheel, Mavic recommends that the total weight supported by the wheels doesn't exceed 180kg, E-bike included

REFERENCES WHEELS

F92741 E-DEEMAX 30 INT 29 BST

F92751 E-DEEMAX 30 CL 29 BST



RIMS



&NBSP;:

1	V3766915	Kit Front/Rear rim eDeemax 30 29"
	V3750101	35mm UST Green Tape for 30mm wide rims

SPOKES

2	V2389501	Kit 14 Front eDeemax 29" flat spoke 303 + nipple
---	----------	--

HUB SHELLS

3	N/A	HUB BODY
4	V2500901	KIT BEARINGS 18x30x7 + WAVED WASHER + CLIP
5	V2375601	Kit 110mm axle QRM auto MTB from 2019 DCL
7	N/A	HUB BODY
8	M40179	FRONT BEARING 25x37x7 20mm AXLE
9	V2373701	KIT 20x110mm BOOST AXLE QRM AUTO MTB > 2019

OPTIONS

V2650401	TORQUECAP20*31 FT QRM AUTO MTB
V2374401	TORQUE CAPS 15*31 Adapter MTB QRM Auto > 2019 Frt HUB

ADAPTERS

6	V2372501	15mm MTB Axle Cap QRM Auto From 2019
10	12982801	ADAPTER Ft 20 to 15mm
	V2680401	20x110 BOOST Front Adapter MTB wheels
	99694101	ADAPTER Ft 15 to 9mm QR

MAVIC E-DEEMAX 30 29

DELIVERED WITH

UST valve and accessories (129 838 01)	
UST valve and accessories (129 838 01)	
Pre-installed tubeless rim tape	
Pre-installed tubeless rim tape	
User guide	
Replacement spokes (2 with the front wheel and 4 with the rear)	
Replacement spokes (2 with the front wheel and 4 with the rear)	

COMPATIBILITY

Freewheel body: convertible SHIMANO HG MTB steel (kit V3790101 sold separately)	
Rear axle adapters: 12x148 convertible to 9x141 (kit V2510801 sold separately)	
Front axle: for fixing nuts only (included), M9x1 thread	

Specifications

RIMS

- **Material** : Mxstal
 - **Height** : 22 mm
 - **Joint** : SUP welding technology
 - **Joint** : SUP welding technology
 - **Drilling** : traditional
- E-Bike specific rim profile
- **Tire** : UST Tubeless and tubetype
 - **Drilling** : traditional (front/rear 28 holes)

Disc brake specific profile

Asymmetrical rim design

- **ETRTO size 29"** : 622x30TC

- **ETRTO size 29"** : 622x30TC

Pinch Flat Protection sidewall (minimizes the risk of tire cuts and punctures)

Asymmetrical rim design

- **Tire** : UST Tubeless and tubetype
- **Tire** : clincher

SPOKES

- **Material** : steel
- **Shape** : straight pull, flat
- **Count** : 28 front and rear
- **Lacing** : front radial, rear Isopulse
- **Lacing** : radial front and rear non-drive side, crossed 2 rear drive side
- **Lacing** : front and rear crossed 3

WHEEL HUB

- **Body** : aluminum
- Instant Drive 360 freewheel technology
QRM Auto bearing preload technology
Hub available with 6-bolt or Center Lock[®] brake rotors
- **Axles** : Front 15X110 Boost ; Rear 12X148 Boost
 - **Disc standard** : 6 Bolts or Center Lock[®]
 - **Axle material** : aluminum
 - **Rear body** : aluminum
 - **Axles** : Front 15X110 (Boost) or 15x100 ; Rear 12X148 (Boost) or 12x142
 - **Freewheel** : Shimano HG MTB / Shimano MS / Sram XD MTB
 - **Freewheel** : FTS-L steel

VERSIONS

- **Disc standard** : 6 Bolts or Center Lock[®]
- **Hub width** : Boost only (front 110, rear 148)
- **Freewheel** : SRAM XD, Shimano HG9, Shimano Micro-Spline

WHEEL WEIGHTS

1035