

ASTM CATEGORY 5 : GRAVITY RIDING FOCUSED ON THE DESCENT

Maximum tyre pressure: 2.95bar/43PSI with a 52mm tyre - 1.55bar/22PSI with a 125mm tyre

Minimum tyre size: width 52mm - pressure max. 2.95Bar/43PSI

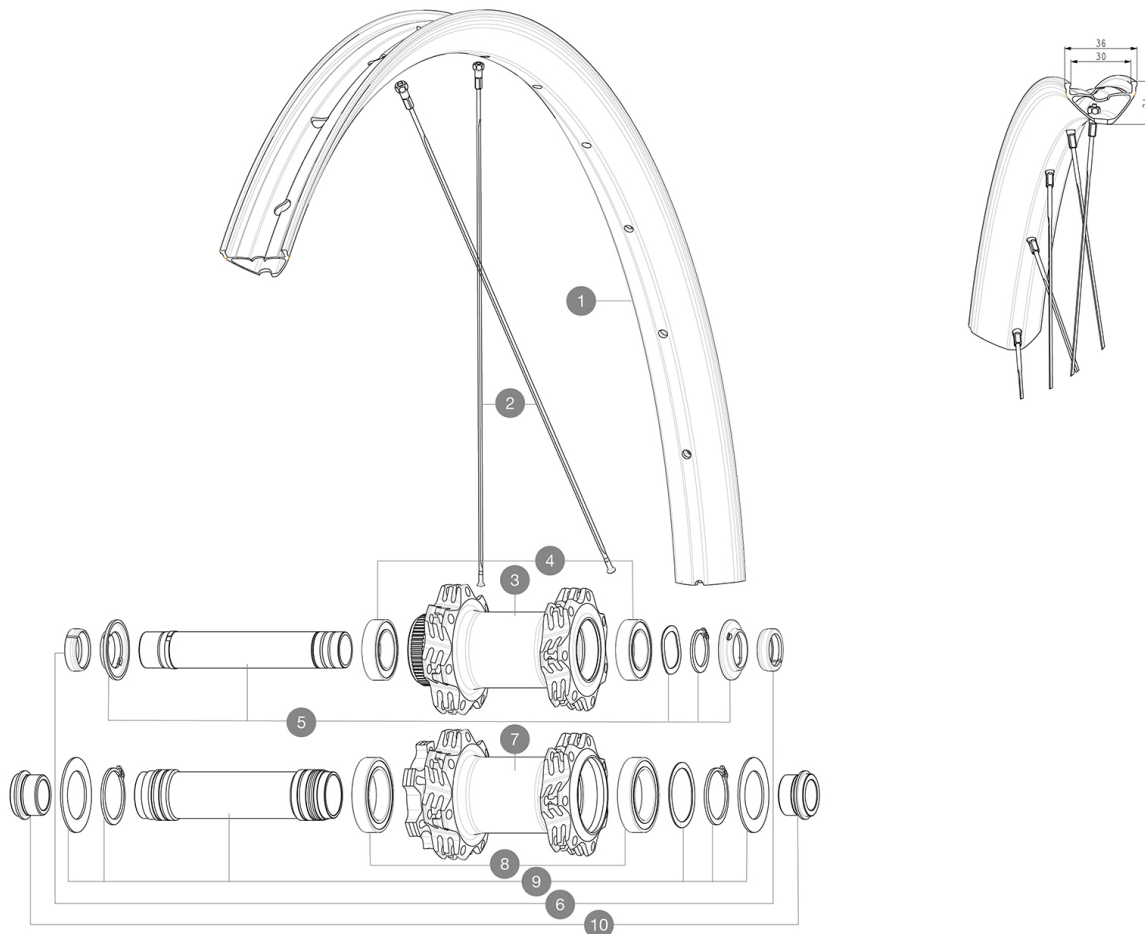
Recommended tire sizes: 60mm to 76mm (2.35" to 3.0")

For a longer longevity of the wheel, Mavic recommends that the total weight supported by the wheels doesn't exceed 180kg, E-bike included

## REFERENCES WHEELS

F92741 E-DEEMAX 30 INT 29 BST

F92751 E-DEEMAX 30 CL 29 BST



## RIMS



&NBSP;:

1	V3766915	Kit Front/Rear rim eDeemax 30 29"
	V3750101	35mm UST Green Tape for 30mm wide rims

## SPOKES

2	V2389501	Kit 14 Front eDeemax 29" flat spoke 303 + nipple
---	----------	--------------------------------------------------

## HUB SHELLS

3	N/A	HUB BODY
4	V2500901	KIT BEARINGS 18x30x7 + WAVED WASHER + CLIP
5	V2375601	Kit 110mm axle QRM auto MTB from 2019 DCL
7	N/A	HUB BODY
8	M40179	FRONT BEARING 25x37x7 20mm AXLE
9	V2373701	KIT 20x110mm BOOST AXLE QRM AUTO MTB > 2019

## OPTIONS

V2650401	TORQUECAP20*31 FT QRM AUTO MTB
V2374401	TORQUE CAPS 15*31 Adapter MTB QRM Auto > 2019 Frt HUB

## ADAPTERS

6	V2372501	15mm MTB Axle Cap QRM Auto From 2019
10	12982801	ADAPTER Ft 20 to 15mm
	V2680401	20x110 BOOST Front Adapter MTB wheels
	99694101	ADAPTER Ft 15 to 9mm QR

# MAVIC E-DEEMAX 30 29

## DELIVERED WITH

UST valve and accessories (129 838 01)	
UST valve and accessories (129 838 01)	
Pre-installed tubeless rim tape	
Pre-installed tubeless rim tape	
User guide	
Replacement spokes (2 with the front wheel and 4 with the rear)	
Replacement spokes (2 with the front wheel and 4 with the rear)	

## COMPATIBILITY

Freewheel body: convertible SHIMANO HG MTB steel (kit V3790101 sold separately)	
Rear axle adapters: 12x148 convertible to 9x141 (kit V2510801 sold separately)	
Front axle: for fixing nuts only (included), M9x1 thread	

## Specifications

### RIMS

- **Material** : Mxstal
- **Height** : 22 mm
- **Joint** : SUP welding technology
- **Joint** : SUP welding technology
- **Drilling** : traditional

E-Bike specific rim profile

- **Tire** : UST Tubeless and tubetype
- **Drilling** : traditional (front/rear 28 holes)

Disc brake specific profile

Asymmetrical rim design

- **ETRTO size 29"** : 622x30TC
- **ETRTO size 29"** : 622x30TC

Pinch Flat Protection sidewall (minimizes the risk of tire cuts and punctures)

Asymmetrical rim design

- **Tire** : UST Tubeless and tubetype
- **Tire** : clincher

### SPOKES

- **Material** : steel
- **Shape** : straight pull, flat
- **Count** : 28 front and rear
- **Lacing** : front radial, rear Isopulse
- **Lacing** : radial front and rear non-drive side, crossed 2 rear drive side
- **Lacing** : front and rear crossed 3

### WHEEL HUB

- **Body** : aluminum
- Instant Drive 360 freewheel technology  
QRM Auto bearing preload technology  
Hub available with 6-bolt or Center Lock<sup>®</sup> brake rotors
- **Axles** : Front 15X110 Boost ; Rear 12X148 Boost
  - **Disc standard** : 6 Bolts or Center Lock<sup>®</sup>
  - **Axle material** : aluminum
  - **Rear body** : aluminum
  - **Axles** : Front 15X110 (Boost) or 15x100 ; Rear 12X148 (Boost) or 12x142
  - **Freewheel** : Shimano HG MTB / Shimano MS / Sram XD MTB
  - **Freewheel** : FTS-L steel

### VERSIONS

- **Disc standard** : 6 Bolts or Center Lock<sup>®</sup>
- **Hub width** : Boost only (front 110, rear 148)
- **Freewheel** : SRAM XD, Shimano HG9, Shimano Micro-Spline

### WHEEL WEIGHTS

1035